

CATALOG

Design and production
of radiator fittings





The photo shows the UNICO ALL IN ONE thermostatic set, right version in Nickel-grinded.

Thermostatic heads	Standard	PONY, TRENDY, VENUS	6
	Exclusive	TUCAN, PICCO, PRESTIGE	12
	Sensor outside	CONTACT, DISTANT	18
Radiator valves	Thermostatic valves	SFP/SFK, EFP/EFK, ARCUS, MASTER, AXI, FP20	20
	Control valves	SWING II	22
	Shut-off valves	FP/FK	22
	Connection valves	UNO, V TYPE	23
Economic sets	Thermostatic sets	ECON, ECON+, ARCUS, AXI ECONOMIC	24
	Regulating sets	SWING II, SIMPLE	24
Standard sets	Thermostatic sets	STANDARD, MASTER, VERSO	26
	Connection sets	UNO, V TYPE	27
Elegant sets	Thermostatic sets	V TYPE ELEGANT, ELEGANT, MASTER, AXI ELEGANT	30
Exclusive sets	Thermostatic sets	TWINS, UNICO, PREMIUM EXCLUSIVE, ROYAL, VISION, INTEGRA, INTEGRA DUO, LUX I, LUX II, QUATTRO	36
	Shut-off sets	TWINS	58
	Regulating sets	TWINS, UNICO, SWING, VISION, INTEGRA, INTEGRA DUO, OLD STAR, BALL, QUATTRO, LUX III	60
	Glamour	TWINS, UNICO, VISION, INTEGRA	80
Underfloor Heating (RTL)	Standard sets	STANDARD RTL, LIMIT BOX, PRESTIGE RTL	83
	Exclusive sets	TWINS RTL, UNICO RTL, VISION RTL, LUX II RTL	84
Heating and water installation products	SAFETY GROUP		88
	Anti-freeze valve		90
	Inhibitors, Cleaners		91
Connection and masking accessories	Masking rosette and masking sets		92
	Extension		96
	Connections, nipples		97
	Various		97
	Bathroom heaters		100
Color table			102

VARIO TERM HISTORY



1964

Bellows for assembling control-measurement instruments.

Vario Term derives from Mera-Pnefal which stood as a pioneer in Poland and among the early innovators in Europe to produce thermostatic heads. The initial fluid sensor concepts emerged in the 1980s, building upon bellows originally crafted for pneumatic control systems.

1988

First thermostatic head with a fluid sensor, type: M615.



Under the Vario Term brand, we meticulously design and manufacture thermostatic heads, thermostatic valves, and various radiator accessories, upholding a legacy of tradition, stringent quality standards, and advanced technology.

1993

Thermostatic head with a fluid sensor, type: M616.



1999

Thermostatic head: CLASSIC.



The contemporary design of our thermostatic heads, coupled with the elegant finish of Vario Term valves, makes them a perfect match for radiators from diverse manufacturers. Vario Term thermostatic heads and valves effectively regulate radiator performance, thereby reducing energy consumption, enhancing room temperature comfort, and adding a touch of elegance to any radiator.

2004

Thermostatic heads: PLUS, TRENDY, VENUS, PRESTIGE, PRESTIGE RTL.



2017

Thermostatic heads: DISTANT, CONTACT, PICCO; ALL IN ONE sets, System VRC.



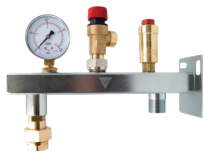
2021

Thermostatic heads: TUCAN, PONY, ALL IN ONE GLAMOUR sets.



2022

Varioprotect safety group.



2023

Thermostatic valves: TWINS STRAIGHT, INTEGRA DUO; Varioprotect safety group.



VARIO TERM OFFERS

a comprehensive range of products, including thermostatic heads, thermostatic valves, and various radiator equipment items. We take pride in being one of the few domestic manufacturers and exporters specializing in these solutions, particularly in exclusive fittings.

Our product lineup is categorized into four main groups. Within these categories, you'll find a range of options, from exclusive offerings to more budget-friendly choices, all featuring intriguing designs.

The most economical options, lacking color variations, fall under the „Economy class,“ which includes basic thermostatic and regulatory sets.

Stepping up a level, we have the „Standard class“ sets, which include thermostatic valves with presetting and more affordable heads, albeit without color options.

For discerning users who value color coordination with their radiators, we present the „Elegant sets.“ These sets often feature valves with preset points.

Our highest-tier products belong to the „Exclusive sets“ category. These sets offer a full spectrum of colors and can be coated with special finishes. We even accept custom orders for unique colors, such as gold, pink, and green, making them the ideal choice for the most luxurious decorative radiators on the market.

The Vario Term product range encompasses both individual heads and thermostatic valves, as well as comprehensive sets. Additionally, we offer a selection of installation accessories, including couplings, extensions, rosettes, and other components meticulously painted to match the color of the radiator or valve.

These accessories serve the purpose of concealing unsightly elements like pipes and wall penetrations when connecting the radiator.

Apart from the necessity for radiator accessories to boast appealing designs and provide precise temperature control, safety is of paramount importance. Therefore, when considering a particular product, it's advisable to verify whether it holds the necessary safety certificates and conformity declarations. This aspect is of utmost significance to us, which is why we have garnered a favorable assessment from the WSP Lab in Stuttgart, underscoring our commitment to product quality and safety.



Vario Term headquarters, Warsaw, Poland.

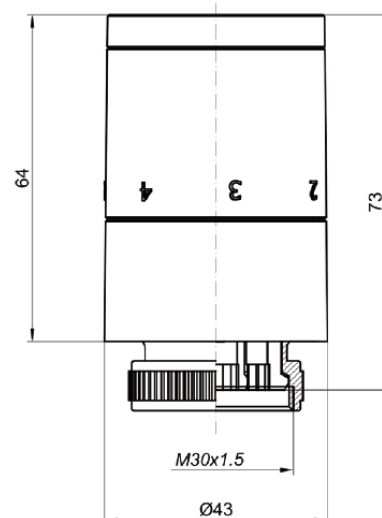
The positive outcomes of our laboratory tests pave the way for the approval of the European Technical Assessment certificate by the Building Research Institute in Warsaw. Moreover, our fundamental thermostatic products and sets have undergone testing at the Institute of Power Engineering in Radom. It's worth noting that the designs of Vario Term thermostatic heads have been registered with the Office for Harmonization in the Internal Market of OHIM as community designs, affording them legal protection.

THERMOSTATIC HEADS

PONY

Thermostatic head meets requirements of PN-EN 215 norm.

RANGE	6°C - 32°C* (16°C - 32°C)
Maximum external temperature	50°C
Closure time	16 min.
Pressure difference impact	< 1K
Hysteresis	0,3K
Heating factor temperature impact	1,23K



Designed for thermostatic valves Vario Term, Heimeier standard valve inserts, M30x1.5 standard valve inserts.

No	Color	Thread	Catalog number
06	White	M30x1,5	000M665A001

APPLICATION:

PONY thermostatic heads are modern classic radiator temperature regulators.

The use of a thermostatic head of the PONY series guarantees significant savings in energy consumption, and thus contributes to the reduction of household expenses. It is also a very important device increasing the comfort of everyday life - it adjusts the ambient temperature to the needs and preferences of the user.

The PONY heads are designed to work with most of the available thermostatic valves used with older cast iron radiators or modern C-type (compact) plate heaters, and V-type heaters (equipped with a valve insert).

CHARACTERISTIC:

- Built-in reliable liquid sensor.
- Control knob with numerical marking of the settings.
- System frost protection function (6°C on „*” setting).
- High-quality plastic plinth, adapted to work at elevated temperatures.
- The white ABS plastic exterior components of the head facilitate effortless maintenance, ensuring the thermostatic head remains clean.
- Adjusting the temperature setpoint is straightforward and easy to understand.
- The head design is helpful for people with different sensory needs due to the characteristic „click” on the given settings.

* At the customer's request, the temperature regulation range can be factory-limited from 6°C to 16°C and from 16°C to 32°C.

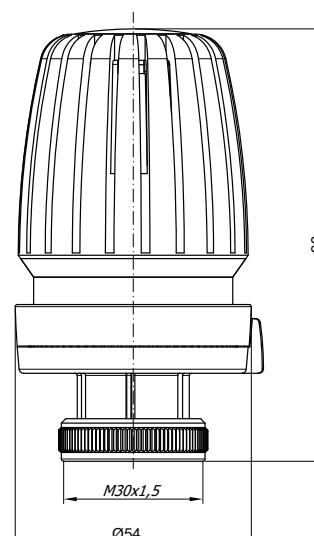
Regulation scale corresponding to the following temperature:

•	1	2	3	4	5	6
6°C	12°	16°	20°	24°C	28°	32°C

CLASSIC

Thermostatic head meets requirements of PN-EN 215 norm.

RANGE	6°C - 32°C* (16°C - 32°C)
Maximum external temperature	40°C
Closure time	18 min.
Pressure difference impact	< 1K
Hysteresis	0,3K
Heating factor temperature impact	< 1,0K
Lowest set value and its marking	281K (6°C)



Designed for thermostatic valves by Vario Term SFP and SFK, Heimeier and others (M30x1,5 connecting thread), inserts of Heimeier standard.

No	Color	Thread	Catalog number
06	White	M30x1,5	000M631A004

APPLICATION:

CLASSIC thermostatic head is a temperature regulator for radiators in classic and technical shape. Application of CLASSIC thermostatic heads series guarantees significant savings in energy consumption and limits household. Additionally, it is a very important appliance increasing everyday life comfort – it adjusts the temperature according to the needs and liking of the user. CLASSIC thermostatic heads are designed to work with the majority of thermostatic valves used in old cast-iron radiators or modern plate radiators C type (compact), as well as in modern plate radiators V type (equipped with an insert).

CHARACTERISTIC:

- Broad range of set temperatures (6°C - 32°C).
- Option for setting bottom and upper limit of temperature.
- Ring protecting from stealing as extra equipment.
- Reliable fluid sensor.
- Main body made of high quality plastic.

The thermostatic head can be equipped with an anti-theft protection. For a price quote, please contact Vario Term Export Department.

* At the customer's request, the temperature regulation range can be factory-limited from 6°C to 16°C and from 16°C to 32°C.

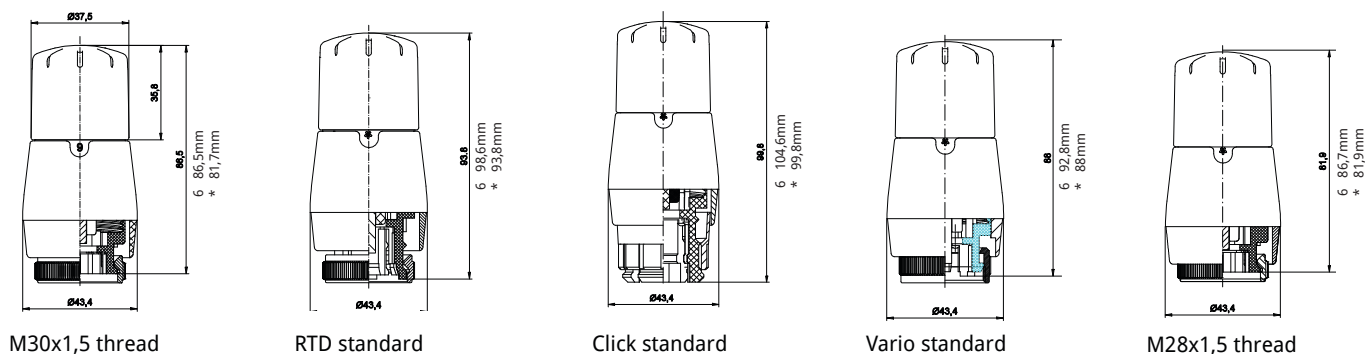
Regulation scale corresponding to the following temperature:

•	1	2	3	4	5	6
6°C	12°	16°	20°	24°C	28°	32°C

THERMOSTATIC HEADS

TRENDY

Thermostatic head meets requirements of PN-EN 215 norm.



RANGE	8°C - 30°C* (16°C - 30°C)
Maximum external temperature	50°C
Closure time	16 min.
Pressure difference impact	< 1K
Hysteresis	0,3K
Heating factor temperature impact	1,23K



APPLICATION

The TRENDY thermostatic head is an economically designed radiator temperature controller. It allows maintaining the desired thermal comfort in a room while taking into account heat gains from other sources, such as human presence, lighting, and sunlight. Due to its design, it ensures ease of cleanliness maintenance, making it indispensable in environments like hospitals, sanatoriums, schools, etc.

CHARACTERISTICS

- Built-in reliable fluid sensor.
- Regulation knob with digital setting markings.
- Anti-freeze protection function for the installation (8°C at the „*” setting).
- High-quality plastic base designed to operate at elevated temperatures.
- Aesthetic white ABS plastic body and knob.
- Ability to limit the temperature regulation range, both maximum and minimum.

* At the customer's request, the temperature regulation range can be factory-limited from 8°C to 12°C and from 16°C to 30°C.

Regulation scale corresponding to the following temperature:

●	1	2	3	4	5	6
8°C	12°	16°	20°	24°C	28°	30°C

TRENDY



M30X1,5 THREAD

Designed for thermostatic valves by Vario Term, Heimeier and others (M30x1,5 connecting thread), Heimeier standard inserts.

No	Color	Thread	Catalog number
06	White	M30x1,5	000M651A101



RTD STANDARD

Designed for thermostatic valves and inserts by Danfoss in the RTD standard.

No	Color	Thread	Catalog number
06	White	RTD standard	000M652A101



CLICK STANDARD

Designed for valve inserts Oventrop, Danfoss, Brugman, Perfexim with RA-N connection and Danfoss thermostatic valves (click).

No	Color	Thread	Catalog number
06	White	Click, RA-N standard	000M653A301



VARIO STANDARD

Designed for thermostatic valves Jafar, Valvex, Jan-K, thermostatic valves by Vario Term VFP and VFK, Mera Pnefal since 1995.

No	Color	Thread	Catalog number
06	White	Vario standard	000M654A101



M28X1,5 THREAD

Designed for thermostatic valves by Herz and inserts with M28x1,5 thread.

No	Color	Thread	Catalog number
06	White	M28x1,5	000M655A101

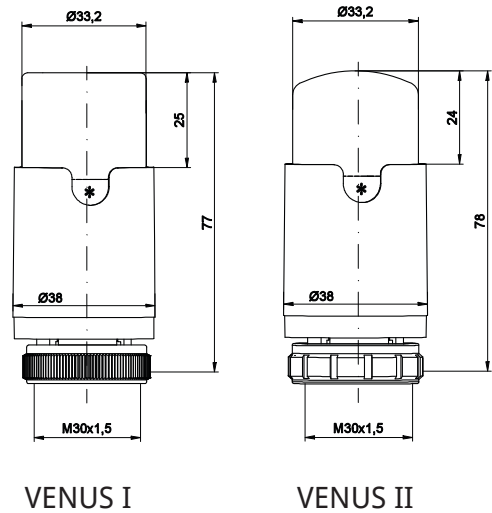
The thermostatic head can be equipped with an anti-theft protection.
For a price quote, please contact Vario Term Export Department.

THERMOSTATIC HEADS

VENUS

Thermostatic head meets requirements of PN-EN 215 norm.

RANGE	8°C - 30°C* (16°C - 30°C)
Maximum external temperature	50°C
Closure time	16 min.
Pressure difference impact	< 1K
Hysteresis	0,3K
Heating factor temperature impact	1,23K



APPLICATION

The VENUS thermostatic head is an economically designed radiator temperature controller. It allows maintaining the desired thermal comfort in a room while taking into account heat gains from other sources, such as human presence, lighting, and sunlight. Due to its design, it ensures ease of cleanliness maintenance, making it indispensable in environments like hospitals, sanatoriums, schools, etc.

CHARACTERISTICS

- Built-in reliable fluid sensor.
- Regulation knob with digital setting markings.
- Anti-freeze protection function for the installation (8°C at the „*” setting).
- Body made of high-quality plastic and aluminum.



* LIMITING THE TEMPERATURE ADJUSTMENT RANGE

The temperature range regulation can be limited on customer's request according to values on setting scale. The customer can also apply it independently. In order to do so, you should screw out a blocking spare split pin with a small screw driver on set No 6, which is situated in a slot No 0 and place it in another slot, for example No 4 for maximum temperature of 24°C, etc. To decrease a minimum temperature in a room to 16°C, you should place a blocking split pin in a slot No 2 and set the head on No 2. In GS.04 and GHe.01 thermostatic heads a temperature can be limited only to 8°C to 12°C and from 16°C to 30°C.

Regulation scale corresponding to the following temperature:

•	1	2	3	4	5	6
8°C	12°	16°	20°	24°C	28°	30°C

VENUS I



Designed for thermostatic valves with M30x1,5 connecting thread. For valves Vario Term, Heimeier, other.

No	Color	Thread	Catalog number
01	White-Chrome	M30x1,5	000M642A001
02	Chrome	M30x1,5	000M642A002
06	White	M30x1,5	000M642A006

VENUS II



Designed for thermostatic valves with M30x1,5 connecting thread. For valves Vario Term, Heimeier, other.

No	Color	Thread	Catalog number
01	White-Chrome	M30x1,5	000M642A101
02	Chrome	M30x1,5	000M642A102
06	White	M30x1,5	000M642A106

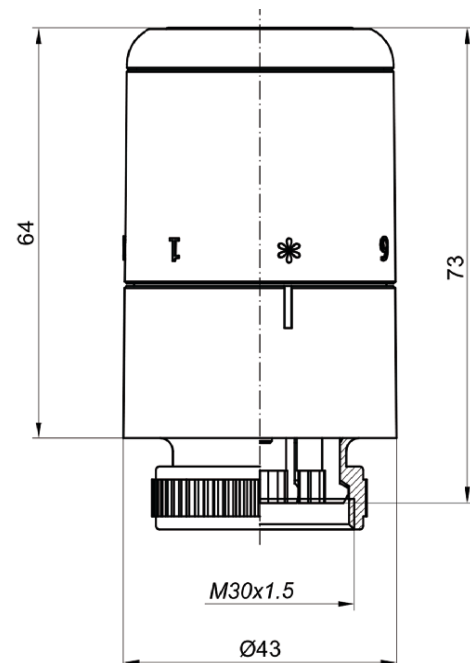
The thermostatic head can be equipped with an anti-theft protection.
For a price quote, please contact Vario Term Export Department.

THERMOSTATIC HEADS

TUCAN

Thermostatic head meets requirements of PN-EN 215 norm.

RANGE	6°C - 32°C* (16°C - 32°C)
Maximum external temperature	50°C
Closure time	16 min.
Pressure difference impact	< 1K
Hysteresis	0,3K
Heating factor temperature impact	1,23K



APPLICATION

The TUCAN thermostatic head is an economically designed radiator temperature controller. It allows maintaining the desired thermal comfort in a room while taking into account heat gains from other sources, such as human presence, lighting, and sunlight. Due to its design, it ensures ease of cleanliness maintenance, making it indispensable in environments like hospitals, sanatoriums, schools, etc.

CHARACTERISTICS

- Reliable liquid sensor.
- Regulation knob with digital markings.
- Anti-freeze protection function for the installation (8°C at the „*” setting).
- Body made of high-quality plastic.
- Setting the temperature is intuitive.
- The design of the head is helpful for individuals with varying sensory abilities due to the distinctive ‚click’ at specific settings.
- The head remains at a constant height during temperature adjustment.
- And is easy to keep clean.

* At the customer’s request, the temperature regulation range can be factory-limited from 6°C to 16°C and from 16°C to 32°C.

Regulation scale corresponding to the following temperature:

•	1	2	3	4	5	6
6°C	12°	16°	20°	24°C	28°	32°C

TUCAN



Designed for thermostatic valves with M30x1,5 thread. For valves Vario Term, Heimeier, other.

Colors with 1-7 days delivery time

No	Color	Catalog number
02	Chrome	000M665A102
05	Structural graphite	000M665A105
06	White	000M665A106
07	Anthracite / Glossy graphite	000M665A107
12	Metallic graphite	000M665A112
13	Glossy black	000M665A113
14	Structural black	000M665A114
15	Dark structural graphite	000M665A115
19	Structural white	000M665A119
21	Matt white	000M665A121
24	Matt black	000M665A124
26	Deep matt black	000M665A126

Colors with 4-6 weeks delivery time

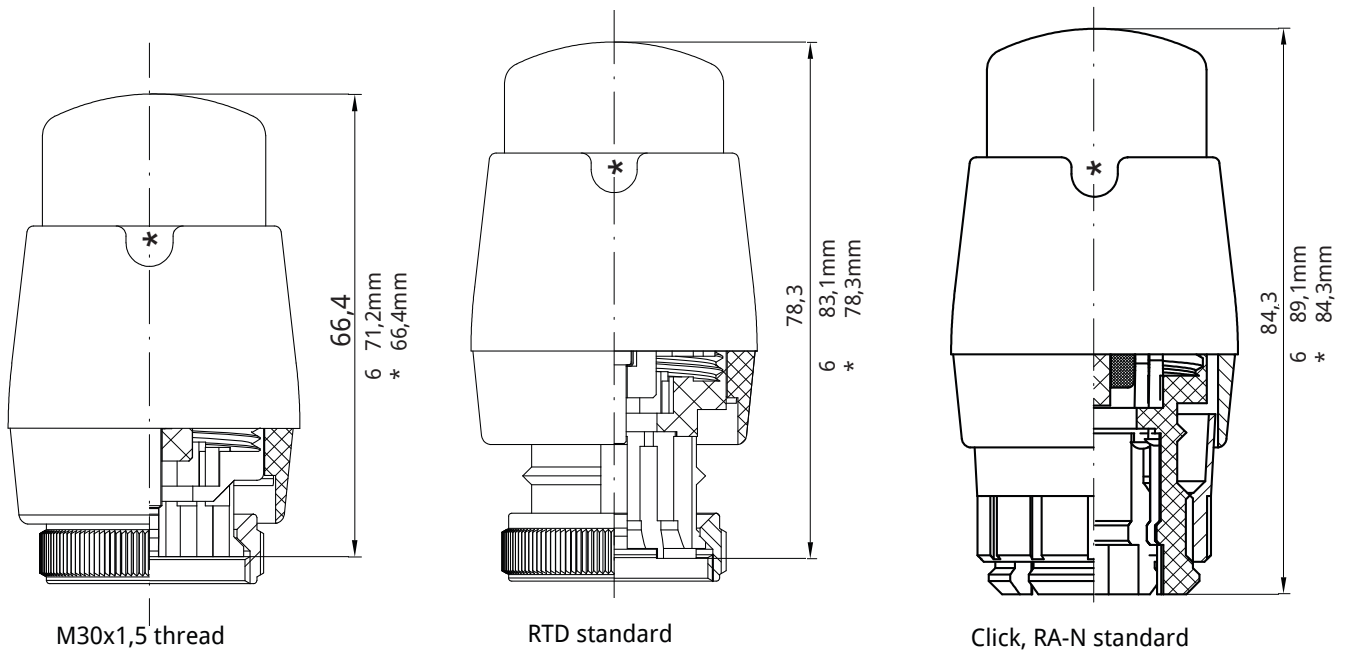
No	Color	Catalog number
03	Satin	000M665A103
08	Nickel-grinded	000M665A108
11	Antique brass	000M665A111
29	Matt brass	000M665A129

The thermostatic head can be equipped with an anti-theft protection.
For a price quote, please contact Vario Term Export Department.

THERMOSTATIC HEADS

PICCO

Thermostatic head meets requirements of PN-EN 215 norm.



RANGE	8°C - 30°C* (16°C - 30°C)
Maximum external temperature	50°C
Closure time	16 min.
Pressure difference impact	< 1K
Hysteresis	0,3K
Heating factor temperature impact	1,23K



APPLICATION

The PICCO thermostatic head is an economically designed radiator temperature controller. It allows maintaining the desired thermal comfort in a room while taking into account heat gains from other sources, such as human presence, lighting, and sunlight. Due to its design, it ensures ease of cleanliness maintenance, making it indispensable in environments like hospitals, sanatoriums, schools, etc.

CHARACTERISTICS

- Built-in reliable fluid sensor.
- Regulation knob with digital setting markings.
- Anti-freeze protection function for the installation (8°C at the „*“ setting).
- Body made of high-quality plastic and aluminum.

* At the customer's request, the temperature regulation range can be factory-limited from 8°C to 12°C and from 16°C to 30°C.

Regulation scale corresponding to the following temperature:

●	1	2	3	4	5	6
8°C	12°	16°	20°	24°C	28°	30°C

PICCO

**M30X1,5 THREAD**

Designed for thermostatic valves with M30x1,5 connecting thread. For valves Heimeier, Vario Term, other.

**RTD STANDARD**

Designed for RTD valves and RTD thermostatic inserts. For valves Danfoss, other.

**CLICK, RA-N STANDARD**

Designed for Click valve, RA-N (Click) thermostatic valves. For valves Oventrop, Danfoss, Brugman, other.

Colors with 1-7 days delivery time

No	Color	M30x1,5	RTD	Click, RA-N
01	White-Chrome	000M660A101	000M661A101	000M662A101
02	Chrome	000M660A102	000M661A102	000M662A102
05	Structural graphite	000M660A105	000M661A105	000M662A105
06	White	000M660A106	000M661A106	000M662A106
07	Anthracite / Glossy graphite	000M660A107	000M661A107	000M662A107
12	Metallic graphite	000M660A112	000M661A112	000M662A112
13	Glossy black	000M660A113	000M661A113	000M662A113
14	Structural black	000M660A114	000M661A114	000M662A114
15	Dark structural graphite	000M660A115	000M661A115	000M662A115
19	Structural white	000M660A119	000M661A119	000M662A119
21	Matt white	000M660A121	000M661A121	000M662A121
24	Matt black	000M660A124	000M661A124	000M662A124

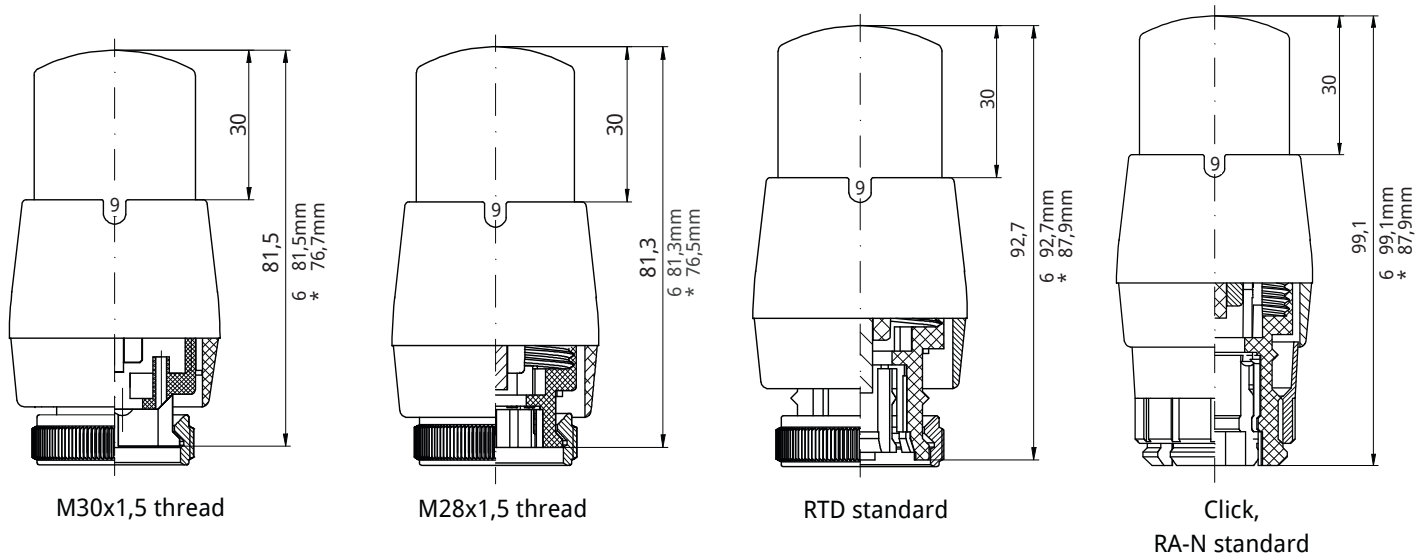
Colors with 4-6 weeks delivery time

No	Color	M30x1,5	RTD	Click, RA-N
03	Satin	000M660A103	000M661A103	000M662A103
08	Nickel-grinded	000M660A108	000M661A108	000M662A108
11	Antique brass	000M660A111	000M661A111	000M662A111

The thermostatic head can be equipped with an anti-theft protection.
For a price quote, please contact Vario Term Export Department.

PRESTIGE

Thermostatic head meets requirements of PN-EN 215 norm.



RANGE	8°C - 30°C* (16°C - 30°C)
Maximum external temperature	50°C
Closure time	16 min.
Pressure difference impact	< 1K
Hysteresis	0,3K
Heating factor temperature impact	1,23K



CHARACTERISTICS

- Reliable fluid sensor.
- Regulating knob with digital marking.
- Anti-freeze protection function for the installation (8°C at the „*” setting).
- Body made of high-quality plastic and aluminum.

APPLICATION

The PRESTIGE thermostatic head is a modern, ergonomically shaped radiator temperature controller. It allows maintaining the desired thermal comfort in a room while considering heat gains from other sources, such as human presence, lighting, and sunlight. Due to its design, it ensures ease of cleanliness maintenance, making it indispensable in environments like hospitals, sanatoriums, schools, etc.

* At the customer's request, the temperature regulation range can be factory-limited from 8°C to 12°C and from 16°C to 30°C.

Regulation scale corresponding to the following temperature:

•	1	2	3	4	5	6
8°C	12°	16°	20°	24°C	28°	30°C

PRESTIGE

**M30X1,5 THREAD**

Designed for thermostatic valves with M30x1,5 connecting thread. For valves Heimeier, Vario Term, other.

**M28X1,5 THREAD**

Designed for thermostatic valves with M28x1,5 thread. For valves Herz, other.

**RTD STANDARD**

Designed for RTD valves and RTD thermostatic inserts. For valves Danfoss, other.

**CLICK, RA-N STANDARD**

Designed for Click valve, RA-N (Click) thermostatic valves. For valves Oventrop, Danfoss, Brugman, other.

Colors with 1-7 days delivery time

No	Color	M30x1,5	M28x1,5	RTD	Click, RA-N
01	White-Chrome	000M636A001	000M641A001	000M637A001	000M638A101
02	Chrome	000M636A002	000M641A002	000M637A002	000M638A102
05	Structural graphite	000M636A005	000M641A005	000M637A005	000M638A105
06	White	000M636A006	000M641A006	000M637A006	000M638A106
07	Anthracite / Glossy graphite	000M636A007	000M641A007	000M637A007	000M638A107
12	Metallic graphite	000M636A012	000M641A012	000M637A012	000M638A112
13	Glossy black	000M636A013	000M641A013	000M637A013	000M638A113
14	Structural black	000M636A014	000M641A014	000M637A014	000M638A114
15	Dark structural graphite	000M636A015	000M641A015	000M637A015	000M638A115
19	Structural white	000M636A019	000M641A019	000M637A019	000M638A119
21	Matt white	000M636A021	000M641A021	000M637A021	000M638A121
24	Matt black	000M636A024	000M641A024	000M637A024	000M638A124
26	Deep matt black	000M636A026	000M641A026	000M637A026	000M638A126

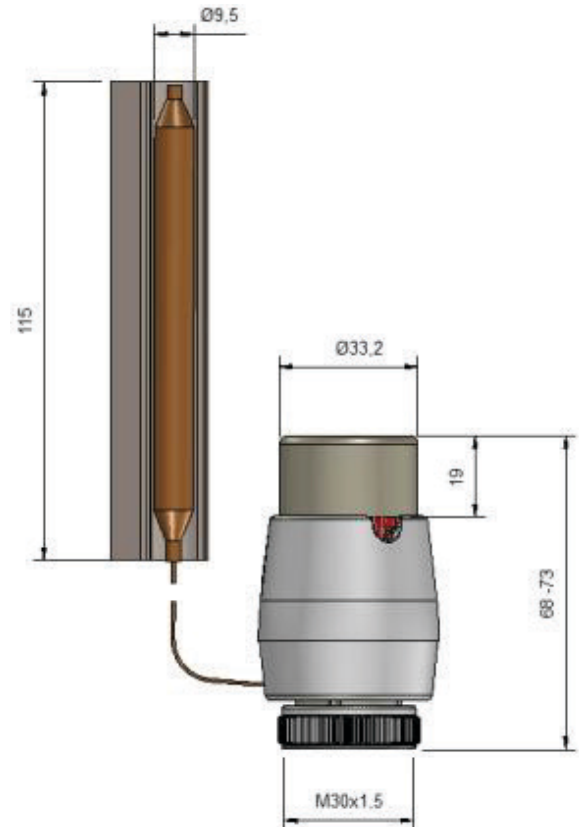
Colors with 4-6 weeks delivery time

No	Color	M30x1,5	M28x1,5	RTD	Click, RA-N
03	Satin	000M636A003	000M641A003	000M637A003	000M638A103
08	Nickel-grinded	000M636A008	000M641A008	000M637A008	000M638A108
11	Antique brass	000M636A011	000M641A011	000M637A011	000M638A111
29	Matt brass	000M636A029	000M641A029	000M637A029	000M638A129

The thermostatic head can be equipped with an anti-theft protection.
For a price quote, please contact Vario Term Export Department.

CONTACT

RANGE	25°C – 70°C
Closure time	16 min.
Pressure difference impact	< 1K
The length of the capillary	2 meters



No	Color	Catalog number
06	White	000M657A006

The CONTACT thermostatic head is intended to work in conjunction with radiator valves and valve inserts having an M30x1.5 connection. The temperature measurement element (sensor) is situated external to the regulating component, and their linkage is established via a dedicated capillary.

Contact thermostatic head is utilized in underfloor heating systems.

APPLICATION

The CONTACT thermostatic head serves as a temperature controller for radiators, managing tap water temperature, providing consistent temperature control in integrated underfloor heating systems, and functioning as an air temperature regulator in air heating systems. When the CONTACT head is employed in integrated floor heating systems, the heated surface area is contingent on the thermostatic valve size and its flow capacity.

The temperature measurement element (sensor) is located outside the regulating part, and their connection is made through a special capillary.

The CONTACT thermostatic head is designed for cooperation with radiator valves and valve inserts with M30x1,5 connection.

ASSEMBLY

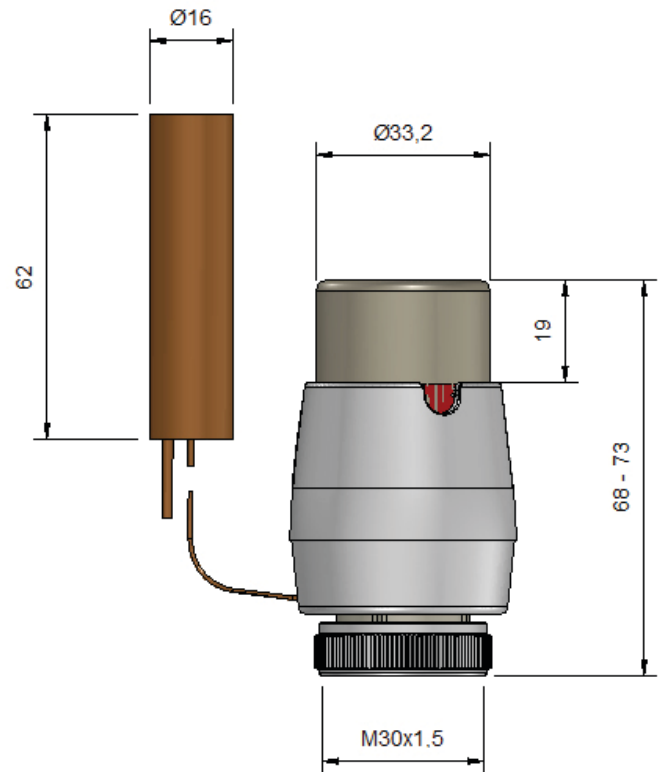
To guarantee proper functionality, it is essential to mount the temperature measuring element (sensor) of the head alongside a luminaire characterized by high conductivity, using clamps to ensure effective heat transfer to the pipelines. All installation procedures are conducted with the head adjusted to the „70“ setting.

The thermostatic head can be equipped with an anti-theft protection and temperature protection, e.g. from 16°C.

For a price quote, please contact Vario Term Export Department.

DISTANT

RANGE	8°C – 30°C
Maximum external temperature	50°C
Closure time	16 min.
Pressure difference impact	< 1K
The length of the capillary	2 meters



No	Color	Catalog number
06	White	000M658A006

The DISTANT thermostatic head is intended to work in conjunction with radiator valves and valve inserts having an M30x1.5 connection. The temperature measurement element (sensor) is situated external to the regulating component, and their linkage is established via a dedicated capillary.

The DISTANT thermostatic head serves as a temperature controller for rooms featuring channel heaters or in cases where the heating device is integrated or concealed. The temperature measurement element (sensor) is positioned external to the regulating component, and their connection is established via a dedicated capillary. The DISTANT thermostatic head is designed to work in tandem with radiator valves and valve inserts featuring an M30x1.5 connection.

ASSEMBLY

To ensure proper functioning, position the temperature measurement element (sensor) of the head on the interior wall of the room, allowing unimpeded airflow around the sensor. Install the head in a vertical orientation, and all installation procedures should be conducted with the head adjusted to the „6” setting.

RECOMMENDATIONS

After the heating season, it is recommended to set the thermostatic head to the „6” setting.

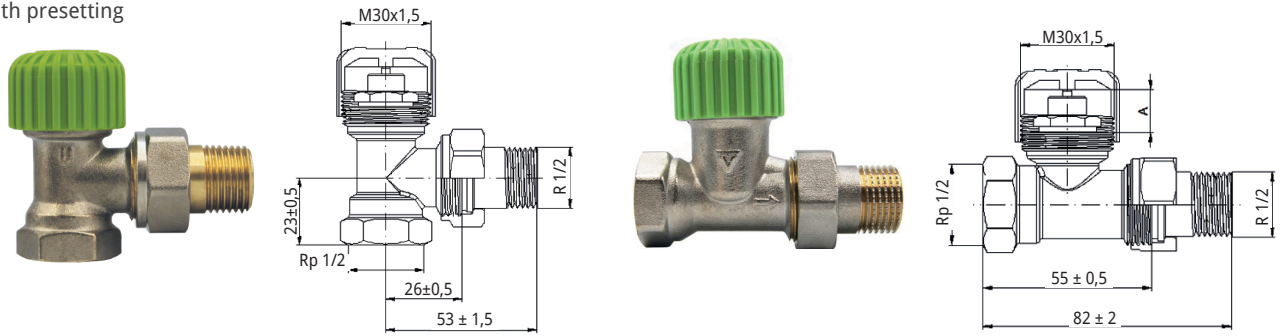
Regulation scale corresponding to the following temperature:

•	1	2	3	4	5	6
8°C	12°	16°	20°	24°C	28°	30°C

RADIATOR VALVES

SFP15 / SFK15, 1/2" x 1/2"

with presetting

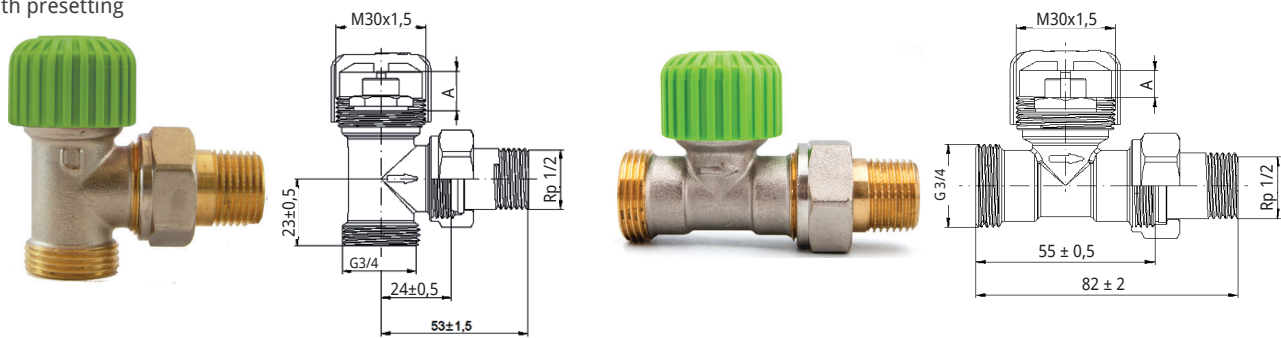


Straight SFP15 or angular SFK15 thermostatic valve bodies. DN15. 1/2" F x 1/2" M, mounting thread of thermostatic head M30x1,5. It has a presetting. The KN-01 setting key is included.

No	Color	Straight version	Angular version
01	Nickel	000M751A001	000M752A001

SFP / SFK (PEX or Cu), 1/2" x 3/4"

with presetting

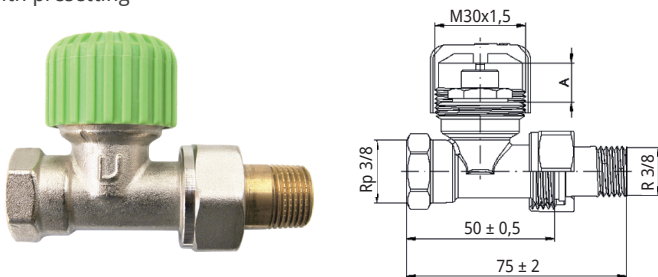


Straight SFP or angular SFK thermostatic valve bodies. DN15. 1/2" M x 3/4" M, mounting thread of thermostatic head M30x1,5. It has an output for PEX / Cu adapters (connectors are not included in the price of the valve). It has a presetting. The KN-01 setting key is included.

No	Color	Straight version	Angular version
01	Nickel	000M755A001	000M756A001

SFP10, 3/8" x 3/8"

with presetting

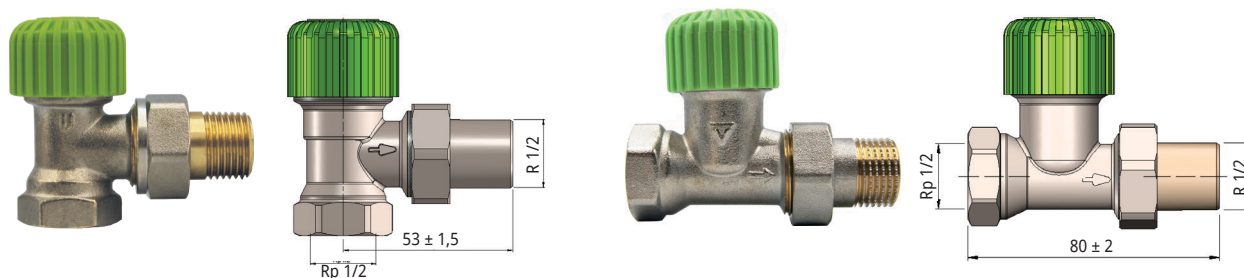


Straight thermostatic valve SFP10, economical, mounting thread of thermostatic head M30x1,5. DN10. 3/8" F x 3/8" M. It has a presetting. The KN-01 setting key is included.

No	Color	Version	Catalog number
01	Nickel	Straight	000M749A001

EFP / EFK, 1/2" x 1/2"

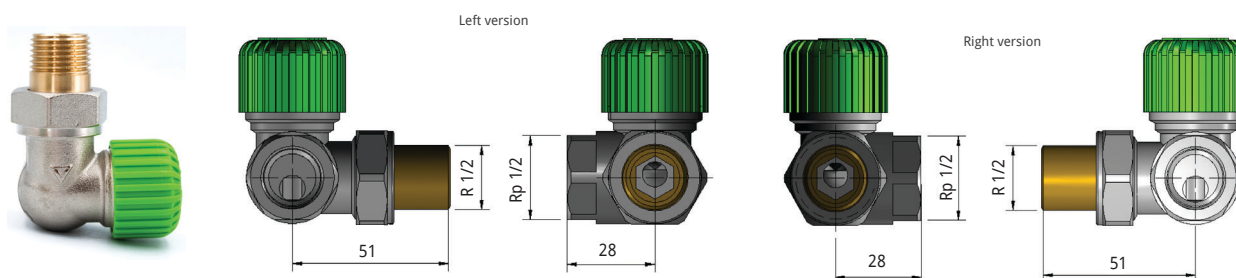
with presetting



Angular thermostatic valve EFK or straight EFP, economical, mounting thread of thermostatic head M30x1.5. DN15. 1/2"F x 1/2"M. It has a presetting. It is carried out with a flat spanner (the setting values are printed on the valve insert).

No	Color	Straight version	Angular version
01	Nickel	000M753A001	000M754A001

ARCUS, 1/2" x 1/2"

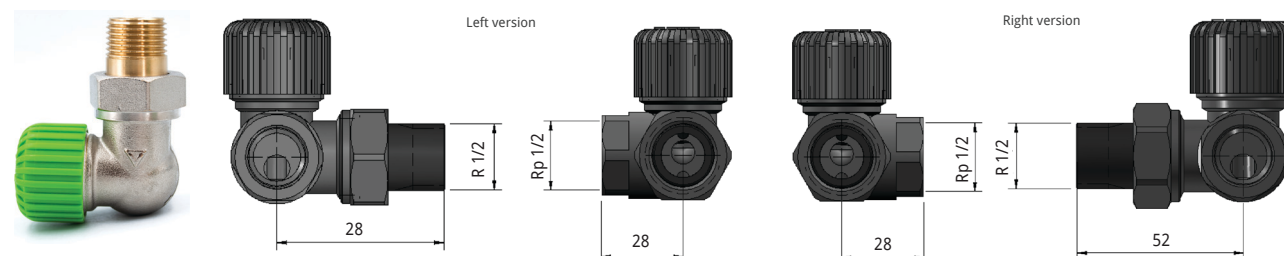


ARCUS thermostatic valve, axial left or right. DN15. 1/2"F x 1/2"M, mounting thread of thermostatic head M30x1.5. Economical version. Without presetting.

No	Color	Left version	Right version
01	Nickel	000M772A101	000M773A101

MASTER, 1/2" x 1/2"

with presetting

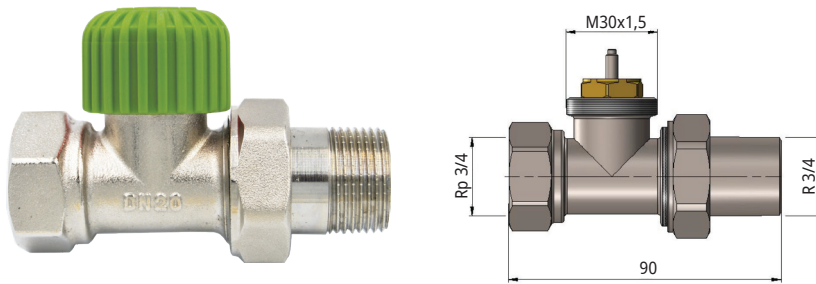


MASTER thermostatic valve, axial left or right. DN15. 1/2"F x 1/2"M, mounting thread of thermostatic head M30x1.5. Economical version. It has a presetting. The KN-01 setting key is included.

No	Color	Left version	Right version
01	Nickel	000M772A001	000M773A001

RADIATOR VALVES

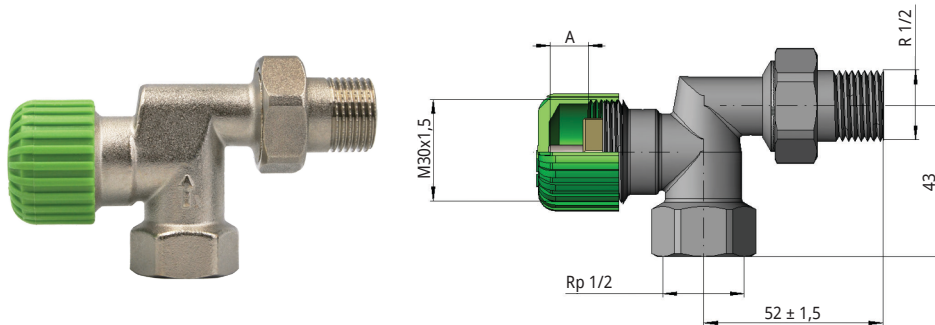
FP20, 3/4" x 3/4"



FP20 thermostatic valve, straight. DN20. 3/4"F x 3/4"M, mounting thread of thermostatic head M30x1.5. Without presetting.

No	Color	Version	Catalog number
01	Nickel	Straight	000M621A002

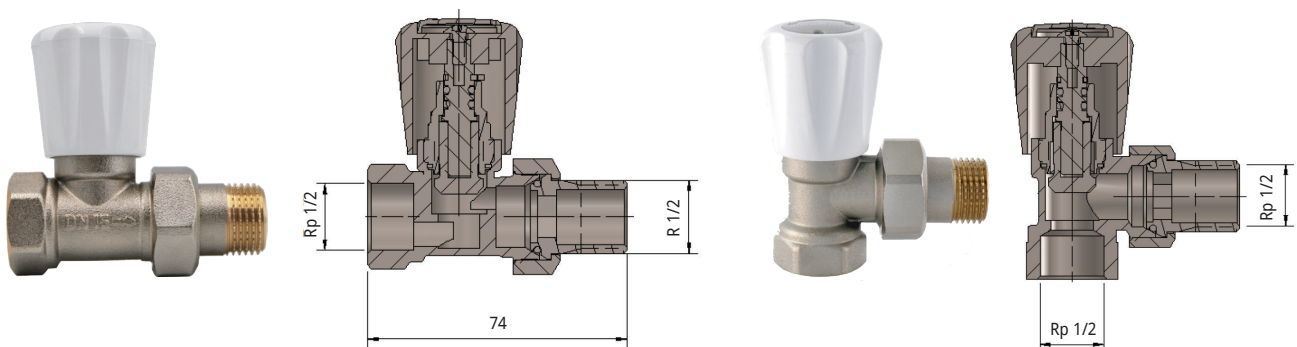
AXI, 1/2" x 1/2"



AXI axial thermostatic valve 1/2"F x 1/2"M, designed for side-powered heaters. DN15, mounting thread of thermostatic head M30x1.5. It enables the head to be directed parallel to the radiator. Without presetting.

No	Color	Version	Catalog number
01	Nickel	Axial	02.13.01

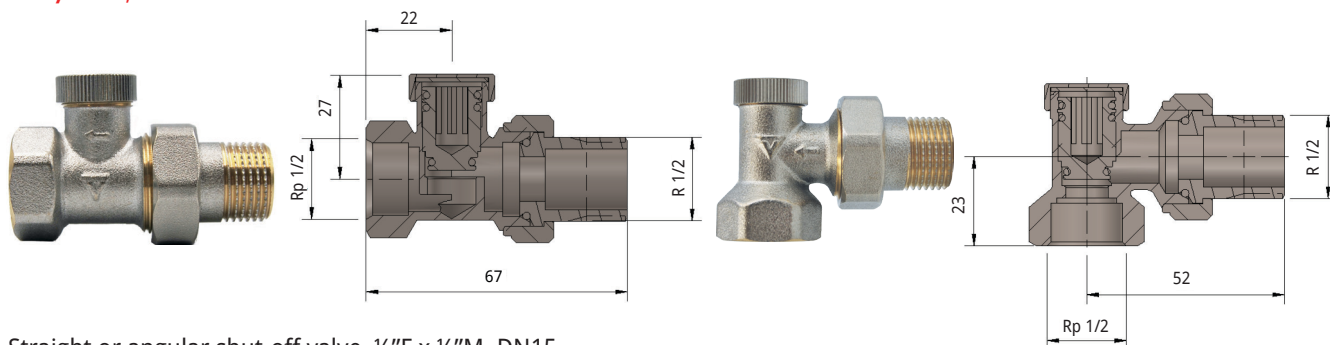
SWING II, 1/2" x 1/2"



SWING II control valve, angular or straight. Large flow diameter. 1/2"F x 1/2"M. DN15. Regulation knob protected with a plastic cover.

No	Color	Straight version	Angular version
01	Nickel	2801	2804

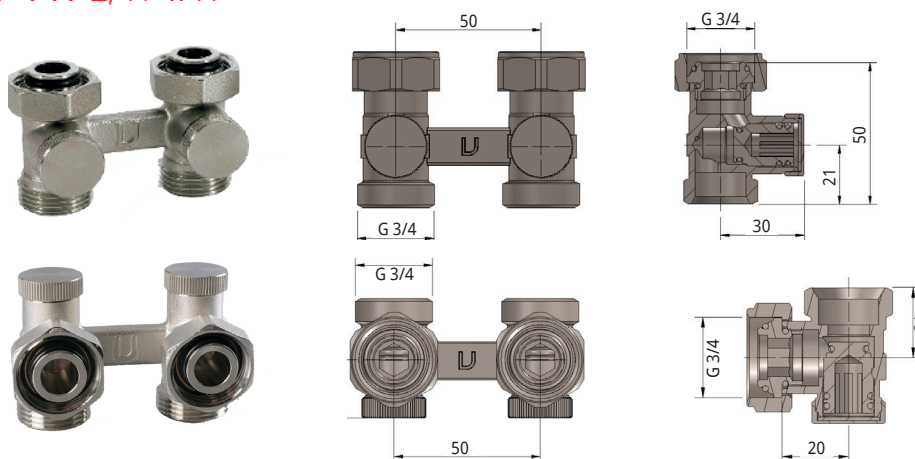
FP / FK, 1/2" x 1/2"



Straight or angular shut-off valve. 1/2"F x 1/2"M. DN15.

No	Color	Straight version	Angular version
01	Nickel	000M869A001	000M870A001

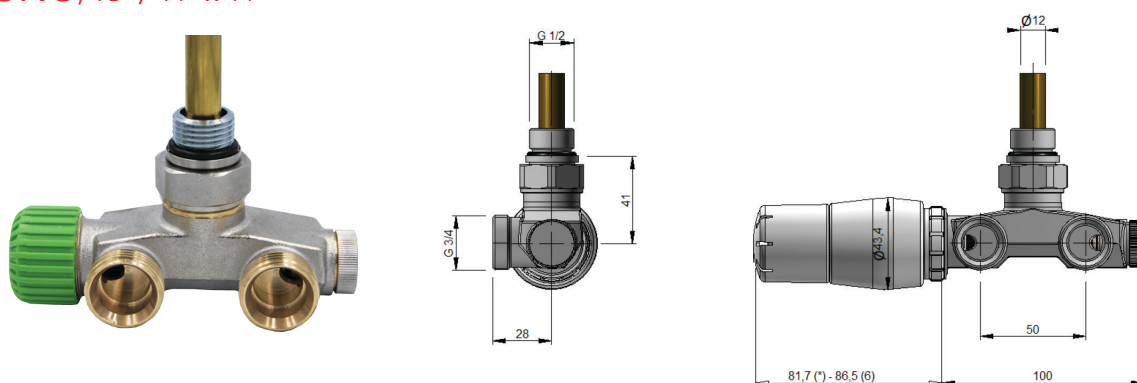
V TYPE, 3/4" x 3/4"



V TYPE two-pipe connection valve 3/4"F x 3/4"M, angular or straight. Connection distance 50mm.

No	Color	Straight version		Angular version	
		With nipples	Without nipples	With nipples	Without nipples
01	Nickel	000M856A001(NY)	000M856A001	000M855A001(NY)	000M855A001

UNO, 1/2" / 3/4" x 3/4"



UNO connection, right. 1/2"M / 3/4"M x 3/4"M. Connection distance 50mm. The economic version. The valve has a immersion tube. The setting is regulated by a return valve.

No	Color	Version	Catalog number
01	Nickel	Right	000M858A001

ECONOMIC SETS



**FREE MASKING ROSETTES
FOR EACH SET!**

ECON



ECON thermostatic set, angular or straight version, ½" F x ½" M.

The set includes:

- 1 x thermostatic valve EFK or EFP,
- 1 x shut-off valve FK or FP,
- 1 x TRENDY or PONY or VENUS II or PRESTIGE thermostatic head,
- 2 x masking rosette Ø25 mm.

The valve is equipped with an economic presetting.

Name	Head's color	Straight version	Angular version
Trendy	White	EGS05106C/FP	EGS05106C/FK
Pony	White	EGS1006C/FP	EGS1006C/FK
Venus II	White	EGS09106C/FP	EGS09106C/FK
Prestige	White	EGS0206C/FP	EGS0206C/FK
Prestige	White - Chrome	EGS0201C/FP	EGS0201C/FK

ECON+



ECON+ thermostatic set, angular or straight version, ½" F x ½" M. The set includes a connector with a seal.

The set includes:

- 1 x thermostatic valve EFK or EFP,
- 1 x shut-off valve FK or FP,
- 1 x TRENDY or PONY or VENUS II or PRESTIGE thermostatic head,
- 2 x connectors,
- 2 x masking rosette Ø25 mm.

The valve is equipped with an economic presetting.

Name	Head's color	Straight version	Angular version
Trendy	White	EGS05106C/FP+	EGS05106C/FK+
Pony	White	EGS1006C/FP+	EGS1006C/FK+
Venus II	White	EGS09106C/FP+	EGS09106C/FK+
Prestige	White	EGS0206C/FP+	EGS0206C/FK+
Prestige	White - Chrome	EGS0201C/FK+	EGS0201C/FK+

SWING II



SWING II adjustment set angular or straight version ½" F x ½" M.

The set includes:

- 1 x EFK or EFP radiator valve,
- 1 x FK or FP shut-off valve,
- 2 x masking rosette Ø25 mm.

Color	Angular version	Straight version
Nickel	ZI00/RFK	ZI00/RFP

FREE MASKING ROSETTES
FOR EACH SET!



ARCUS



ARCUS thermostatic set, axial left or right version, ½"F x ½"M.

The set includes:

1 x ARCUS thermostatic valve,
1 x shut-off valve FK or FP,
1 x TRENDY or PONY or VENUS II or PRESTIGE thermostatic head,
2 x masking rosette Ø25 mm.

Name	Head's color	Left version	Right version
Trendy	White	ARGS05106C/L	ARGS05106C/P
Pony	White	ARGS1006C/L	ARGS1006C/L
Venus II	White	ARGS09106C/L	ARGS09106C/P
Prestige	White	ARGS0206C/L	ARGS0206C/P
Prestige	White - Chrome	ARGS0201C/L	ARGS0201C/P

AXI ECONOMICAL



AXI ECONOMICAL thermostatic set, axial version, ½"F x ½"M.

The set includes:

1 x AXI radiator valve,
1 x shut-off valve FK,
1 x TRENDY or PONY or VENUS II or PRESTIGE thermostatic head,
2 x masking rosette Ø25 mm.

Name	Head's color	Axial version
Trendy	White	AXIGS05106C
Pony	White	AXIGS1006C
Venus II	White	AXIGS09106C
Prestige	White	AXIGS0206C
Prestige	White - Chrome	AXIGS0201C

SIMPLE



SIMPLE regulating set, angular or straight version ½"F x ½"M. The set includes a knob for manual regulation of the thermostatic valve. If necessary, the knob can be unscrewed and in its place you can screw one of the thermostatic heads with the appropriate approach.

The set includes:

1 x EFK or EFP radiator valve,
1 x FK or FP shut-off valve,
2 x masking rosette Ø25 mm.

Color	Angular version	Straight version
Nickel	SI00/EFK	SI00/EFP

STANDARD SETS



**FREE MASKING ROSETTES
FOR EACH SET!**

STANDARD



STANDARD thermostatic set, angular or straight version, ½" F x ½" M.

The set includes:

- 1 x thermostatic valve SFK15 or SFP15,
- 1 x shut-off valve FK or FP,
- 1 x PONY or TRENDY or VENUS II or PRESTIGE thermostatic head,
- 2 x masking rosette Ø25 mm.

The valve is equipped with a presetting.

Name	Head's color	Straight version	Angular version
Trendy	White	STGS05106C/FP	STGS05106C/FK
Pony	White	STGS1006C/FP	STGS1006C/FK
Venus II	White	STGS09106C/FP	STGS09106C/FK
Prestige	White	STGS0206C/FP	STGS0206C/FK
Prestige	White - Chrome	STGS0201C/FP	STGS0201C/FK

MASTER



MASTER thermostatic set, axial version left or right, ½" F x ½" M.

The set includes:

- 1 x thermostatic valve MASTER,
- 1 x shut-off valve FK,
- 1 x PONY or TRENDY or VENUS II or PRESTIGE thermostatic head,
- 2 x masking rosette Ø25 mm.

The valve is equipped with a presetting.

Name	Head's color	Left version	Right version
Trendy	White	MAGS05106C/L	MAGS05106C/P
Pony	White	MAGS1006C/L	MAGS1006C/P
Venus II	White	MAGS09106C/L	MAGS09106C/P
Prestige	White	MAGS0206C/L	MAGS0206C/P
Prestige	White - Chrome	MAGS0201C/L	MAGS0201C/P

FREE MASKING ROSETTES
FOR EACH SET!



VERSO

New



VERSO thermostatic set for connection with PEX systems, axial left or right version, 1/2" F x 1/2" M.

The set includes:

- 1 x thermostatic valve VERSO,
- 1 x shut-off valve FK,
- 1 x TRENDY or PONY or VENUS II or PRESTIGE thermostatic head,
- 2 x 1/2" PEX connector,
- 2 x masking rosette Ø25 mm.



The valve is equipped with a presetting.

Name	Head's color	Left version	Right version
Trendy	White	VEGS05106CFK/L	VEGS05106CFK/P
Pony	White	VEGS1006CFK/L	VEGS1006CFK/P
Venus II	White	VEGS09106CFK/L	VEGS09106CFK/P
Prestige	White	VEGS0206CFK/L	VEGS0206CFK/P
Prestige	White - Chrome	VEGS0201CFK/L	VEGS0201CFK/P

UNO



UNO connection set, right version, 1/2" M / 3/4" M x 3/4" M. The distance between the connections to the installation is 50 mm.

The set includes:

- 1x UNO connection,
- 1x dip tube,
- 1x TRENDY or PONY or PRESTIGE thermostatic head,
- 1x masking rosette Ø16 mm.

Name	Head's color	Right version
Trendy	White	UNGS05106CFK/P
Pony	White	UNGS1006CFK/P
Prestige	White	UNGS0206CFK/P

For Standard series sets (except MASTER set *) it is possible to select PEX couplings for valves. When ordering, please add (PEX) at the end of the catalog number. For example: STGS0201C/FK(PEX).

* Connectors for the MASTER set - „1/2" M x PEX twisted coupling" The couplings are included in the VERSO sets.



STANDARD SETS

V TYPE



V TYPE thermostatic set, angular or straight version, 3/4" M x 3/4" F. The distance between the connections to the installation is 50 mm. The valves are compatible with V TYPE radiators.

The set includes:

- 1 x two-pipe connection valve V TYPE,
- 1 x PONY or TRENDY or VENUS II thermostatic head,
- 2 x reduction nipples (optional),
- 2 x masking rosette Ø16 mm.



Name	Head's color	Thread	Version	With nipples	Without nipples
Pony	White	M30x1,5	Straight	PRNYGS1006C/FP	PRGS1006C/FP
Pony	White	M30x1,5	Angular	PRNYGS1006C/FK	PRGS1006C/FK
Name	Head's color	Thread	Version	With nipples	Without nipples
Trendy	White	M30x1,5	Straight	PRNYGS05106C/FP	PRGS05106C/FP
Trendy	White	M30x1,5	Angular	PRNYGS05106C/FK	PRGS05106C/FK
Name	Head's color	Thread	Version	With nipples	Without nipples
Trendy	White	Click	Straight	PRNYGS07306C/FP	PRGS07306C/FP
Trendy	White	Click	Angular	PRNYGS07306C/FK	PRGS07306C/FK
Name	Head's color	Thread	Version	With nipples	Without nipples
Venus II	White	M30x1,5	Straight	PRNYGS09106C/FP	PRGS09106C/FP
Venus II	White	M30x1,5	Angular	PRNYGS09106C/FK	PRGS09106C/FK



For **V TYPE** Standard series sets PEX connectors can be chosen for valves designed with threads to accommodate them.

When placing an order, the catalog number (PEX) should be added at the end.

For instance: PRNYGS09106C/FP(PEX).



FREE MASKING ROSETTES FOR EACH SET!

V TYPE



V TYPE thermostatic set, angular or straight version, 3/4" M x 3/4" F. The distance between the connections to the installation is 50 mm. The valves are compatible with V TYPE radiators.

The set includes:

- 1 x two-pipe connection valve V TYPE,
- 1 x PRESTIGE thermostatic head,
- 2 x reduction nipples (optional),
- 2 x masking rosette Ø16 mm.



Name	Head's color	Thread	Version	With nipples	Without nipples
Prestige	White	M30x1,5	Straight	PRNYGS0206C/FP	PRGS0206C/FP
Prestige	White	M30x1,5	Angular	PRNYGS0206C/FK	PRGS0206C/FK
Name	Head's color	Thread	Version	With nipples	Without nipples
Prestige	White - Chr.	M30x1,5	Straight	PRNYGS0201C/FP	PRGS0201C/FP
Prestige	White - Chr.	M30x1,5	Angular	PRGS0201C/FK	PRGS0201C/FK
Name	Head's color	Thread	Version	With nipples	Without nipples
Prestige	White	Click	Straight	PRNYGS04106C/FP	PRGS04106C/FP
Prestige	White	Click	Angular	PRNYGS04106C/FK	PRGS04106C/FK
Name	Head's color	Thread	Version	With nipples	Without nipples
Prestige	White - Chr.	Click	Straight	PRNYGS04101C/FP	PRGS04101C/FP
Prestige	White - Chr.	Click	Angular	PRNYGS04101C/FK	PRGS04101C/FK

For **V TYPE** Standard series sets PEX connectors can be chosen for valves designed with threads to accommodate them.

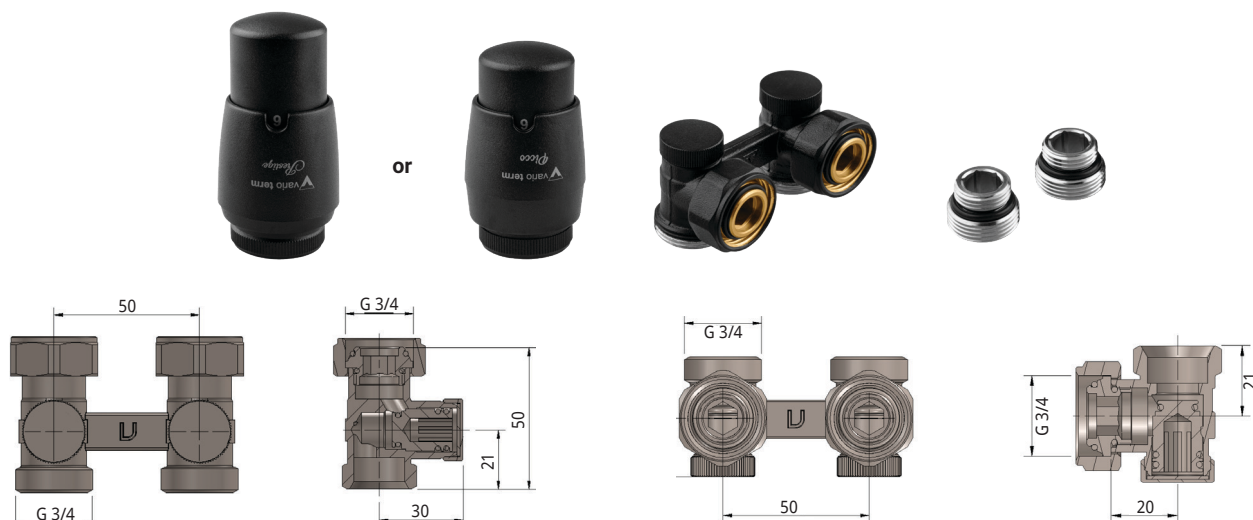
When placing an order, the catalog number (PEX) should be added at the end.

For instance: PRGS0506C/FP(PEX).



FREE MASKING ROSETTES FOR EACH SET!

V TYPE ELEGANT



V TYPE ELEGANT thermostatic set, angular or straight version, 3/4" F x 3/4" M.

The set includes: 1 x V TYPE connection valve, 1 x PRESTIGE or PICCO thermostatic head, 2 x reducing nipples.

No	Color	With PRESTIGE thermostatic head		With PICCO thermostatic head	
		Angular version	Straight version	Angular version	Straight version
05	Structural graphite	EPRNYGS0205C/FK	EPRNYGS0205C/FP	EPRNYGS02105P/FK	EPRNYGS02105P/FP
06	White	EPRNYGS0206C/FK	EPRNYGS0206C/FP	EPRNYGS02106P/FK	EPRNYGS02106P/FP
24	Matt black	EPRNYGS0224C/FK	EPRNYGS0224C/FP	EPRNYGS02124P/FK	EPRNYGS02124P/FP

There is an option to opt for PEX connectors designed for valves with a compatible thread. When placing an order, kindly include (PEX) or (Cu) at the end of the catalog number. For example: EPRNYGS0221C/FK(Cu).

Type	PEX (16x2)	Cu (15x1)	1/2" M
End of the catalog number	PEX	Cu	GZ

V TYPE ELEGANT ALL IN ONE



V TYPE ELEGANT ALL IN ONE thermostatic set, angular or straight version, 3/4" F x 3/4" M.

The set includes: 1 x V TYPE connection valve, 1 x PRESTIGE or PICCO thermostatic head, 2 x reducing nipples, 1 x double masking rosette, 2 x masking sleeves, 2 x adapters on PEX or Cu 3/4" x 16.

No	Color	With PRESTIGE thermostatic head		With PICCO thermostatic head	
		Angular version	Straight version	Angular version	Straight version
05	Structural graphite	AEPRNYGS0205C/FK	AEPRNYGS0205C/FP	AEPRNYGS02105P/FK	AEPRNYGS02105P/FP
06	White	AEPRNYGS0206C/FK	AEPRNYGS0206C/FP	AEPRNYGS02106P/FK	AEPRNYGS02106P/FP
24	Matt black	AEPRNYGS0224C/FK	AEPRNYGS0224C/FP	AEPRNYGS02124P/FK	AEPRNYGS02124P/FP

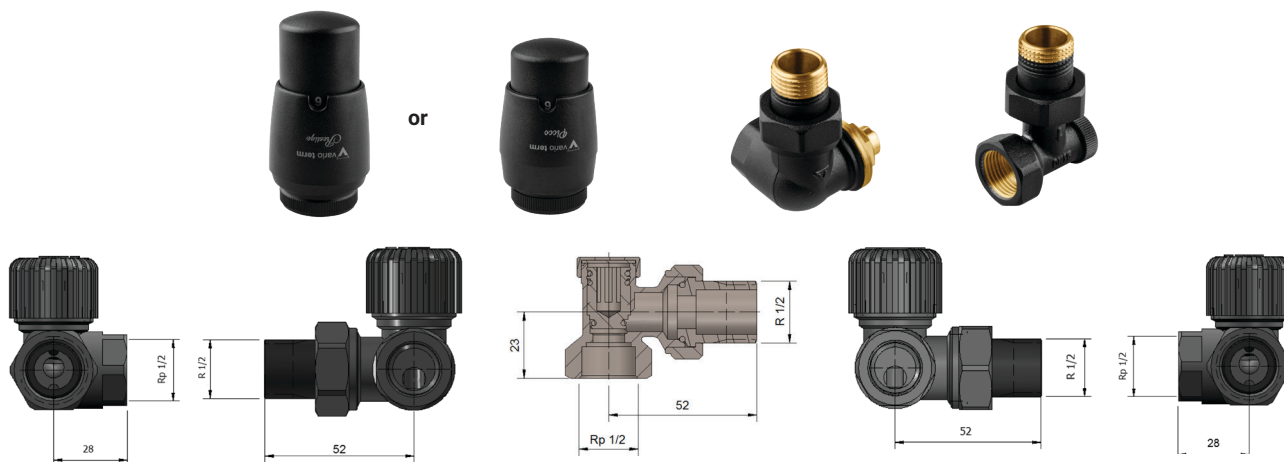
When ordering, add (PEX) or (Cu) at the end of the catalog number.

For example: AEPRNYGS0206C/FK(Cu).

When ordering sets in quantities of 10 or more, painting in other colors from our palette is possible.

MASTER

with presetting



MASTER thermostatic set, axial left or right, 1/2" F x 1/2" M.

The set includes: 1 x MASTER thermostatic valve, 1 x FK shut-off valve, 1 x PRESTIGE or PICCO thermostatic head.

No	Color	With PRESTIGE thermostatic head		With PICCO thermostatic head	
		Left version	Right version	Left version	Right version
05	Structural graphite	EMAGS0205CFK/L	EMAGS0205CFK/P	EMAGS02105CFK/L	EMAGS02105CFK/P
06	White	EMAGS0206CFK/L	EMAGS0206CFK/P	EMAGS02106CFK/L	EMAGS02106CFK/P
24	Matt black	EMAGS0224CFK/L	EMAGS0224CFK/P	EMAGS02124CFK/L	EMAGS02124CFK/P

There is an option to opt for PEX connectors designed for valves with a compatible thread. When placing an order, kindly include (PEX) or (Cu) at the end of the catalog number.

For example: EMAGS10211CFK/L(PEX).

Type	PEX (16x2)	Cu (15x1)
End of the catalog number	PEX	Cu
		

MASTER ALL IN ONE

with presetting



MASTER thermostatic set, axial left or right, 1/2" F x 1/2" M.

The set includes: 1 x MASTER thermostatic valve, 1 x FK shut-off valve, 1 x PRESTIGE or PICCO thermostatic head, 2 x reducing nipples, single masking rosettes, 2 x masking sleeves, 2 x adapters on PEX.

No	Color	With PRESTIGE thermostatic head		With PICCO thermostatic head	
		Left version	Right version	Left version	Right version
05	Structural graphite	AEMAGS0205CFK/L	AEMAGS0205CFK/P	AEMAGS02105CFK/L	AEMAGS02105CFK/P
06	White	AEMAGS0206CFK/L	AEMAGS0206CFK/P	AEMAGS02106CFK/L	AEMAGS02106CFK/P
24	Matt black	AEMAGS0224CFK/L	AEMAGS0224CFK/P	AEMAGS02124CFK/L	AEMAGS02124CFK/P

When ordering, add (PEX) or (Cu) at the end of the catalog number.

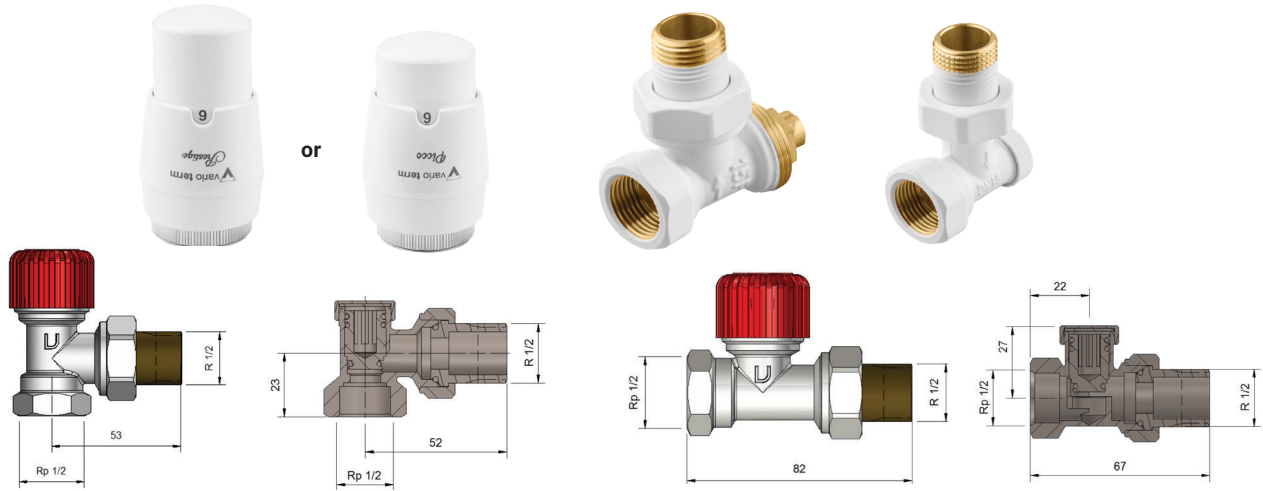
For example: AEMAGS02124CFK/P(Cu).

When ordering sets in quantities of 10 or more, painting in other colors from our palette is possible.

ELEGANT SETS

ELEGANT

with presetting



ELEGANT thermostatic set, angular or straight, 1/2" F x 1/2" M.

The set includes: 1 x SFK or SFP thermostatic valve, 1 x FK or FP shut-off valve, 1 x PRESTIGE or PICCO thermostatic head.

No	Color	With PRESTIGE thermostatic head		With PICCO thermostatic head	
		Angular version	Straight version	Angular version	Straight version
05	Structural graphite	ELGS0205C/FK	ELGS0205C/FP	ELGS02105C/FK	ELGS02105C/FP
06	White	ELGS0206C/FK	ELGS0206C/FP	ELGS02106C/FK	ELGS02106C/FP
24	Matt black	ELGS0224C/FK	ELGS0224C/FP	ELGS02124C/FK	ELGS02124C/FP

There is an option to opt for PEX connectors designed for valves with a compatible thread. When placing an order, kindly include (PEX) or (Cu) at the end of the catalog number.
For example: ELGS0207C/FK(PEX).

Type	PEX (16x2)	Cu (15x1)
End of the catalog number	PEX	Cu
		

ELEGANT ALL IN ONE

with presetting



ELEGANT ALL IN ONE thermostatic set, angular or straight, 1/2" F x 1/2" M.

The set includes: 1 x SFK or SFP thermostatic valve, 1 x FK or FP shut-off valve, 1 x PRESTIGE or PICCO thermostatic head, 2 x single masking rosettes, 2 x masking sleeves, 2 x PEX or Cu adapters..

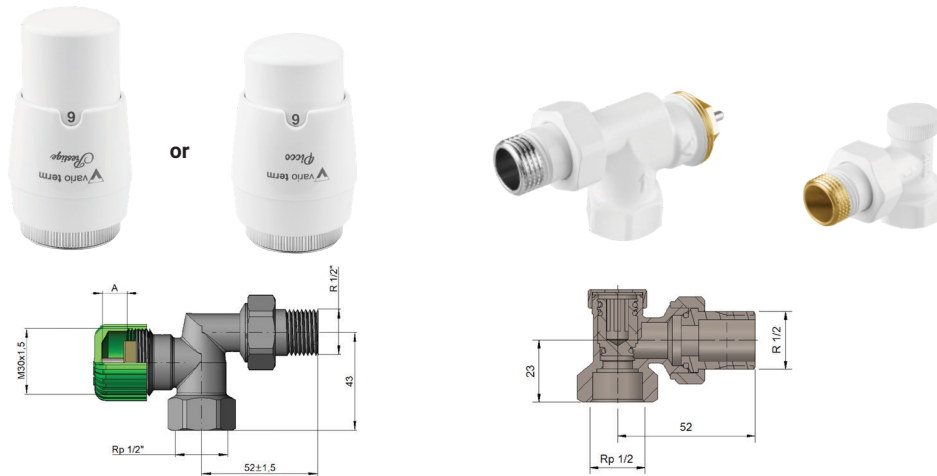
No	Color	With PRESTIGE thermostatic head		With PICCO thermostatic head	
		Angular version	Straight version	Angular version	Straight version
05	Structural graphite	AELGS0205C/FK	AELGS0205C/FP	AELGS02105C/FK	AELGS02105C/FP
06	White	AELGS0206C/FK	AELGS0206C/FP	AELGS02106C/FK	AELGS02106C/FP
24	Matt black	AELGS0224C/FK	AELGS0224C/FP	AELGS02124C/FK	AELGS02124C/FP

When ordering, add (PEX) or (Cu) at the end of the catalog number.

For example: AELGS0205C/FK(PEX).

When ordering sets in quantities of 10 or more, painting in other colors from our palette is possible.

AXI ELEGANT



AXI ELEGANT thermostatic set, axial version, 1/2" F x 1/2" M.

The set includes: 1 x AXI thermostatic valve, 1 x FK shut-off valve, 1 x PRESTIGE or PICCO thermostatic head.

No	Color	With PRESTIGE thermostatic head	With PICCO thermostatic head
05	Structural graphite	EAXIGS0205C	EAXIGS02105P
06	White	EAXIGS0206C	EAXIGS02106P
24	Black matt	EAXIGS0224C	EAXIGS02124P

There is an option to opt for PEX connectors designed for valves with a compatible thread. When placing an order, kindly include (PEX) or (Cu) at the end of the catalog number. For example: EAXIGS0206C(PEX).

Type	PEX (16x2)	Cu (15x1)
End of the catalog number	PEX	Cu
		

AXI ELEGANT ALL IN ONE



AXI ELEGANT ALL IN ONE thermostatic set, axial version, 1/2" F x 1/2" M.

The set includes: 1 x AXI thermostatic valve, 1 x FK shut-off valve, 1 x PRESTIGE or PICCO thermostatic head, 2 x single masking rosettes, 2 x masking sleeves, 2 x PEX or Cu adapters.

No	Color	With PRESTIGE thermostatic head	With PICCO thermostatic head
05	Structural graphite	AEAXIGS0205C	AEAXIGS02105P
06	White	AEAXIGS0206C	AEAXIGS02106P
24	Black matt	AEAXIGS0224C	AEAXIGS02124P

When ordering, add (PEX) or (Cu) at the end of the catalog number.

For example: AEAXIGS0205C(PEX).

When ordering sets in quantities of 10 or more, painting in other colors from our palette is possible.

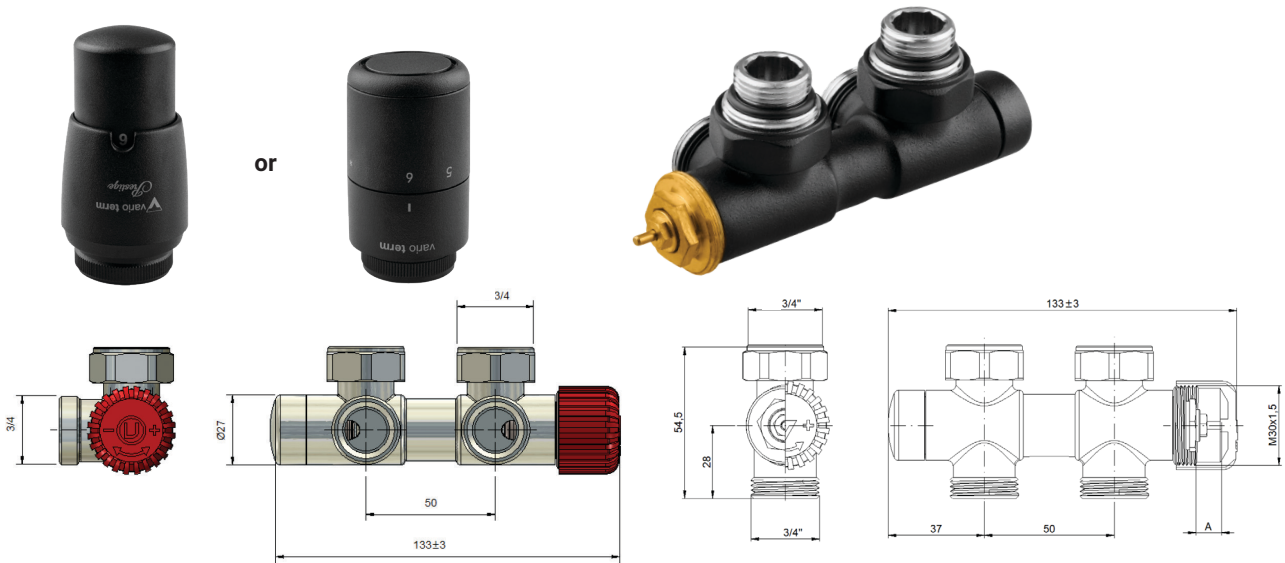
EXCLUSIVE SETS





The photo shows the INTEGRA ALL IN ONE thermostatic set, left version, in Matt brass.

TWINS ANGULAR



TWINS thermostatic set, angular right or left version, $\frac{3}{4}$ "M x $\frac{3}{4}$ "F ($\frac{1}{2}$ "M), connection spacing 50 mm.

The set includes: 1 x TWINS thermostatic valve, 1 x PRESTIGE or TUCAN thermostatic head, 2 x reduction nipples $\frac{3}{4}$ " x $\frac{1}{2}$ ".
Correct installation of the TWINS valves: the return is on the side of the thermostatic head.

Colors with 1-7 days delivery time		With PRESTIGE thermostatic head		With TUCAN thermostatic head	
No	Color	Left version	Right version	Left version	Right version
02	Chrome	TSGS0202CFK/L	TSGS0202CFK/P	TSGS10102CFK/L	TSGS10102CFK/P
05	Structural graphite	TSGS0205CFK/L	TSGS0205CFK/P	TSGS10105CFK/L	TSGS10105CFK/P
06	White	TSGS0206CFK/L	TSGS0206CFK/P	TSGS10106CFK/L	TSGS10106CFK/P
07	Anthracite / Glossy graphite	TSGS0207CFK/L	TSGS0207CFK/P	TSGS10107CFK/L	TSGS10107CFK/P
12	Metallic graphite	TSGS0212CFK/L	TSGS0212CFK/P	TSGS10112CFK/L	TSGS10112CFK/P
13	Glossy black	TSGS0213CFK/L	TSGS0213CFK/P	TSGS10113CFK/L	TSGS10113CFK/P
14	Structural black	TSGS0214CFK/L	TSGS0214CFK/P	TSGS10114CFK/L	TSGS10114CFK/P
15	Dark structural graphite	TSGS0215CFK/L	TSGS0215CFK/P	TSGS10115CFK/L	TSGS10115CFK/P
19	Structural white	TSGS0219CFK/L	TSGS0219CFK/P	TSGS10119CFK/L	TSGS10119CFK/P
21	Matt white	TSGS0221CFK/L	TSGS0221CFK/P	TSGS10121CFK/L	TSGS10121CFK/P
24	Matt black	TSGS0224CFK/L	TSGS0224CFK/P	TSGS10124CFK/L	TSGS10124CFK/P
26	Deep matt black	TSGS0226CFK/L	TSGS0226CFK/P	TSGS10126CFK/L	TSGS10126CFK/P
Colors with 4-6 weeks delivery time		With PRESTIGE thermostatic head		With TUCAN thermostatic head	
No	Color	Left version	Right version	Left version	Right version
03	Satin	TSGS0203CFK/L	TSGS0203CFK/P	TSGS10103CFK/L	TSGS10103CFK/P
08	Nickel-grinded	TSGS0208CFK/L	TSGS0208CFK/P	TSGS10108CFK/L	TSGS10108CFK/P
11	Antique brass	TSGS0211CFK/L	TSGS0211CFK/P	TSGS10111CFK/L	TSGS10111CFK/P
29	Matt brass	TSGS0229CFK/L	TSGS0229CFK/P	TSGS10129CFK/L	TSGS10129CFK/P

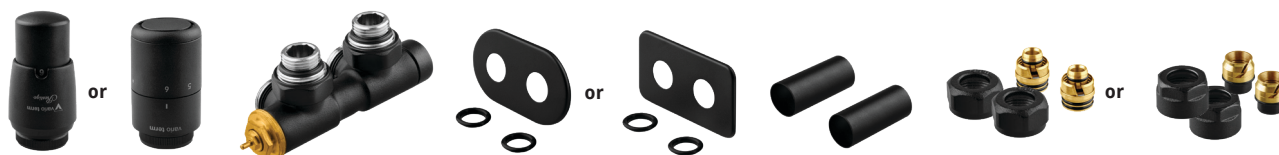
There is an option to opt for PEX connectors designed for valves with a compatible thread.

When placing an order, kindly include PEX or Cu or GZ at the end of the catalog number.

For example: TSGS10111CFK/L(GZ).

Type	PEX (16x2)	Cu (15x1)	$\frac{1}{2}$ "M
End of the catalog number	PEX	Cu	GZ

TWINS ANGULAR ALL IN ONE



TWINS ALL IN ONE thermostatic set, angular right or left version, $\frac{3}{4}$ "M x $\frac{3}{4}$ "F ($\frac{1}{2}$ "M), connection spacing 50 mm.

The set includes: 1 x TWINS thermostatic valve, 1 x PRESTIGE or TUCAN thermostatic head, 1 x double masking rosette, 2 x masking sleeves, 2 x adapters on PEX or Cu, 2 x reduction nipples $\frac{1}{2}$ " x $\frac{3}{4}$ ".

When ordering, add (PEX) or (Cu) at the end of the catalog number. For example: ATSGS10115CFP(PEX).

Set with an oval rosette

Colors with 1-7 days delivery time		With PRESTIGE thermostatic head		With TUCAN thermostatic head	
No	Color	Left version	Right version	Left version	Right version
02	Chrome	ATSGS0202CFK/L	ATSGS0202CFK/P	ATSGS10102CFK/L	ATSGS10102CFK/P
05	Structural graphite	ATSGS0205CFK/L	ATSGS0205CFK/P	ATSGS10105CFK/L	ATSGS10105CFK/P
06	White	ATSGS0206CFK/L	ATSGS0206CFK/P	ATSGS10106CFK/L	ATSGS10106CFK/P
07	Anthracite / Glossy graphite	ATSGS0207CFK/L	ATSGS0207CFK/P	ATSGS10107CFK/L	ATSGS10107CFK/P
12	Metallic graphite	ATSGS0212CFK/L	ATSGS0212CFK/P	ATSGS10112CFK/L	ATSGS10112CFK/P
13	Glossy black	ATSGS0213CFK/L	ATSGS0213CFK/P	ATSGS10113CFK/L	ATSGS10113CFK/P
14	Structural black	ATSGS0214CFK/L	ATSGS0214CFK/P	ATSGS10114CFK/L	ATSGS10114CFK/P
15	Dark structural graphite	ATSGS0215CFK/L	ATSGS0215CFK/P	ATSGS10115CFK/L	ATSGS10115CFK/P
19	Structural white	ATSGS0219CFK/L	ATSGS0219CFK/P	ATSGS10119CFK/L	ATSGS10119CFK/P
21	Matt white	ATSGS0221CFK/L	ATSGS0221CFK/P	ATSGS10121CFK/L	ATSGS10121CFK/P
24	Matt black	ATSGS0224CFK/L	ATSGS0224CFK/P	ATSGS10124CFK/L	ATSGS10124CFK/P
26	Deep matt black	ATSGS0226CFK/L	ATSGS0226CFK/P	ATSGS10126CFK/L	ATSGS10126CFK/P
Colors with 4-6 weeks delivery time		With PRESTIGE thermostatic head		With TUCAN thermostatic head	
No	Color	Left version	Right version	Left version	Right version
03	Satin	ATSGS0203CFK/L	ATSGS0203CFK/P	ATSGS10103CFK/L	ATSGS10103CFK/P
08	Nickel-grinded	ATSGS0208CFK/L	ATSGS0208CFK/P	ATSGS10108CFK/L	ATSGS10108CFK/P
11	Antique brass	ATSGS0211CFK/L	ATSGS0211CFK/P	ATSGS10111CFK/L	ATSGS10111CFK/P
29	Matt brass	ATSGS0229CFK/L	ATSGS0229CFK/P	ATSGS10129CFK/L	ATSGS10129CFK/P

Set with a rectangular rosette

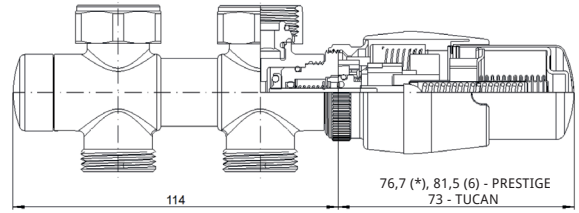
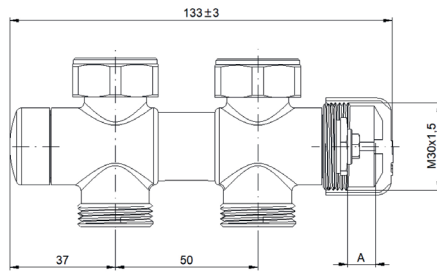
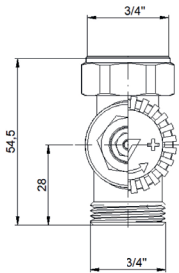
Colors with 1-7 days delivery time		With PRESTIGE thermostatic head		With TUCAN thermostatic head	
No	Color	Left version	Right version	Left version	Right version
02	Chrome	APTSGS0202CFK/L	APTSGS0202CFK/P	APTSGS10102CFK/L	APTSGS10102CFK/P
05	Structural graphite	APTSGS0205CFK/L	APTSGS0205CFK/P	APTSGS10105CFK/L	APTSGS10105CFK/P
06	White	APTSGS0206CFK/L	APTSGS0206CFK/P	APTSGS10106CFK/L	APTSGS10106CFK/P
07	Anthracite / Glossy graphite	APTSGS0207CFK/L	APTSGS0207CFK/P	APTSGS10107CFK/L	APTSGS10107CFK/P
12	Metallic graphite	APTSGS0212CFK/L	APTSGS0212CFK/P	APTSGS10112CFK/L	APTSGS10112CFK/P
13	Glossy black	APTSGS0213CFK/L	APTSGS0213CFK/P	APTSGS10113CFK/L	APTSGS10113CFK/P
14	Structural black	APTSGS0214CFK/L	APTSGS0214CFK/P	APTSGS10114CFK/L	APTSGS10114CFK/P
15	Dark structural graphite	APTSGS0215CFK/L	APTSGS0215CFK/P	APTSGS10115CFK/L	APTSGS10115CFK/P
19	Structural white	APTSGS0219CFK/L	APTSGS0219CFK/P	APTSGS10119CFK/L	APTSGS10119CFK/P
21	Matt white	APTSGS0221CFK/L	APTSGS0221CFK/P	APTSGS10121CFK/L	APTSGS10121CFK/P
24	Matt black	APTSGS0224CFK/L	APTSGS0224CFK/P	APTSGS10124CFK/L	APTSGS10124CFK/P
26	Deep matt black	APTSGS0226CFK/L	APTSGS0226CFK/P	APTSGS10126CFK/L	APTSGS10126CFK/P
Colors with 4-6 weeks delivery time		With PRESTIGE thermostatic head		With TUCAN thermostatic head	
No	Color	Left version	Right version	Left version	Right version
03	Satin	APTSGS0203CFK/L	APTSGS0203CFK/P	APTSGS10103CFK/L	APTSGS10103CFK/P
08	Nickel-grinded	APTSGS0208CFK/L	APTSGS0208CFK/P	APTSGS10108CFK/L	APTSGS10108CFK/P
11	Antique brass	APTSGS0211CFK/L	APTSGS0211CFK/P	APTSGS10111CFK/L	APTSGS10111CFK/P
29	Matt brass	APTSGS0229CFK/L	APTSGS0229CFK/P	APTSGS10129CFK/L	APTSGS10129CFK/P

TWINS STRAIGHT

New



or



TWINS thermostatic set, straight version, 3/4" M x 3/4" F (1/2" M), connection spacing 50 mm.

The set includes: 1 x TWINS thermostatic valve, 1 x PRESTIGE or TUCAN thermostatic head, 2 x reduction nipples 3/4" x 1/2". Correct installation of the TWINS valves: the return is on the side of the thermostatic head.

Colors with 1-7 days delivery time		With PRESTIGE thermostatic head	With TUCAN thermostatic head
No	Color	Straight	Straight
02	Chrome	TSGS0202CFP	TSGS10102CFP
05	Structural graphite	TSGS0205CFP	TSGS10105CFP
06	White	TSGS0206CFP	TSGS10106CFP
07	Anthracite / Glossy graphite	TSGS0207CFP	TSGS10107CFP
12	Metallic graphite	TSGS0212CFP	TSGS10112CFP
13	Glossy black	TSGS0213CFP	TSGS10113CFP
14	Structural black	TSGS0214CFP	TSGS10114CFP
15	Dark structural graphite	TSGS0215CFP	TSGS10115CFP
19	Structural white	TSGS0219CFP	TSGS10119CFP
21	Matt white	TSGS0221CFP	TSGS10121CFP
24	Matt black	TSGS0224CFP	TSGS10124CFP
26	Deep matt black	TSGS0226CFP	TSGS10126CFP
Colors with 4-6 weeks delivery time		With PRESTIGE thermostatic head	With TUCAN thermostatic head
No	Color	Straight	Straight
03	Satin	TSGS0203CFP	TSGS10103CFP
08	Nickel-grinded	TSGS0208CFP	TSGS10108CFP
11	Antique brass	TSGS0211CFP	TSGS10111CFP
29	Matt brass	TSGS0229CFP	TSGS10129CFP

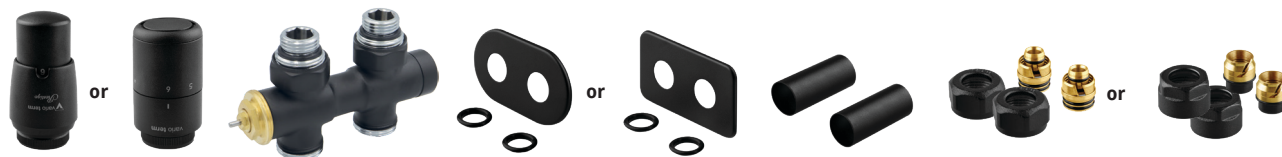
There is an option to opt for PEX connectors designed for valves with a compatible thread.

When placing an order, kindly include PEX or Cu or GZ at the end of the catalog number.

For example: TSGS10111CFP(GZ).

Type	PEX (16x2)	Cu (15x1)	1/2" M
End of the catalog number	PEX	Cu	GZ

TWINS STRAIGHT ALL IN ONE



TWINS ALL IN ONE thermostatic set, straight version, $\frac{3}{4}$ "M x $\frac{3}{4}$ "F ($\frac{1}{2}$ "M), connection spacing 50 mm.

The set includes: 1 x TWINS thermostatic valve, 1 x PRESTIGE or TUCAN thermostatic head, 1 x double masking rosette, 2 x masking sleeves, 2 x adapters on PEX or Cu, 2 x reduction nipples $\frac{1}{2}$ " x $\frac{3}{4}$ ".

When ordering, add (PEX) or (Cu) at the end of the catalog number. For example: ATSGS10115CFP(PEX).

Set with an oval rosette

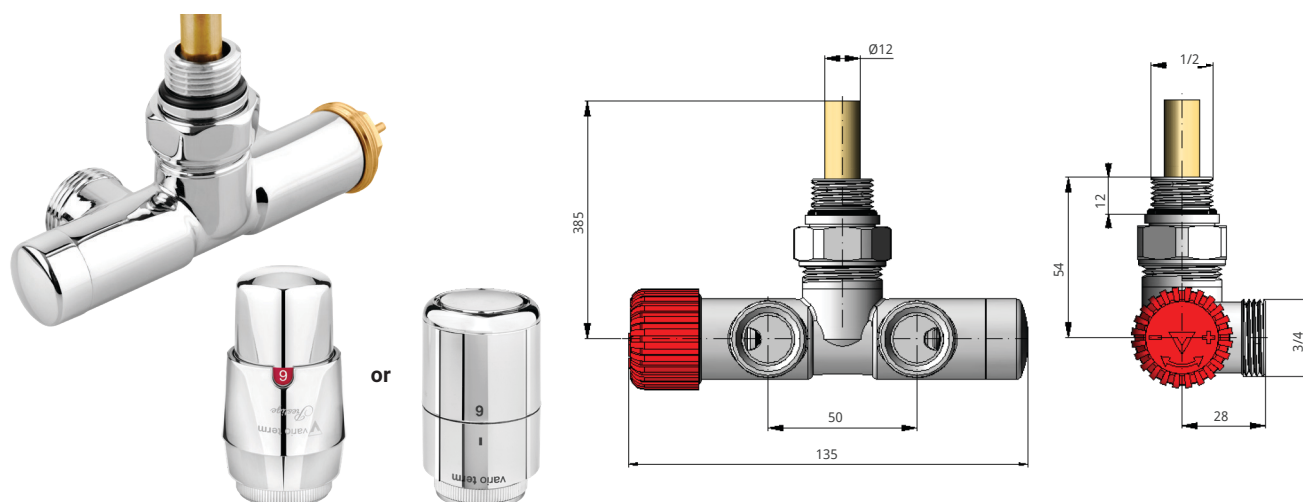
Colors with 1-7 days delivery time		With PRESTIGE thermostatic head	With TUCAN thermostatic head
No	Color	Straight	Straight
02	Chrome	ATSGS0202CFP	ATSGS10102CFP
05	Structural graphite	ATSGS0205CFP	ATSGS10105CFP
06	White	ATSGS0206CFP	ATSGS10106CFP
07	Anthracite / Glossy graphite	ATSGS0207CFP	ATSGS10107CFP
12	Metallic graphite	ATSGS0212CFP	ATSGS10112CFP
13	Glossy black	ATSGS0213CFP	ATSGS10113CFP
14	Structural black	ATSGS0214CFP	ATSGS10114CFP
15	Dark structural graphite	ATSGS0215CFP	ATSGS10115CFP
19	Structural white	ATSGS0219CFP	ATSGS10119CFP
21	Matt white	ATSGS0221CFP	ATSGS10121CFP
24	Matt black	ATSGS0224CFP	ATSGS10124CFP
26	Deep matt black	ATSGS0226CFP	ATSGS10126CFP
Colors with 4-6 weeks delivery time		With PRESTIGE thermostatic head	With TUCAN thermostatic head
No	Color	Straight	Straight
03	Satin	ATSGS0203CFP	ATSGS10103CFP
08	Nickel-grinded	ATSGS0208CFP	ATSGS10108CFP
11	Antique brass	ATSGS0211CFP	ATSGS10111CFP
29	Matt brass	ATSGS0229CFP	ATSGS10129CFP

Set with a rectangular rosette

Colors with 1-7 days delivery time		With PRESTIGE thermostatic head	With TUCAN thermostatic head
No	Color	Straight	Straight
02	Chrome	APTSGS0202CFP	APTSGS10102CFP
05	Structural graphite	APTSGS0205CFP	APTSGS10105CFP
06	White	APTSGS0206CFP	APTSGS10106CFP
07	Anthracite / Glossy graphite	APTSGS0207CFP	APTSGS10107CFP
12	Metallic graphite	APTSGS0212CFP	APTSGS10112CFP
13	Glossy black	APTSGS0213CFP	APTSGS10113CFP
14	Structural black	APTSGS0214CFP	APTSGS10114CFP
15	Dark structural graphite	APTSGS0215CFP	APTSGS10115CFP
19	Structural white	APTSGS0219CFP	APTSGS10119CFP
21	Matt white	APTSGS0221CFP	APTSGS10121CFP
24	Matt black	APTSGS0224CFP	APTSGS10124CFP
26	Deep matt black	APTSGS0226CFP	APTSGS10126CFP
Colors with 4-6 weeks delivery time		With PRESTIGE thermostatic head	With TUCAN thermostatic head
No	Color	Straight	Straight
03	Satin	APTSGS0203CFP	APTSGS10103CFP
08	Nickel-grinded	APTSGS0208CFP	APTSGS10108CFP
11	Antique brass	APTSGS0211CFP	APTSGS10111CFP
29	Matt brass	APTSGS0229CFP	APTSGS10129CFP

EXCLUSIVE SETS - THERMOSTATIC

UNICO



UNICO thermostatic set, right or left, $\frac{3}{4}$ "M x $\frac{1}{2}$ "M, connection spacing 50 mm. It is possible to connect an electric heater in the second bottom port of the radiator.

The set includes: 1 x UNICO thermostatic valve, 1 x immersion tube, 1 x PRESTIGE or TUCAN thermostatic head, 1 x mounting fitting.




Correct installation of the UNICO valves: the return is on the side of the thermostatic head.

Colors with 1-7 days delivery time		With PRESTIGE thermostatic head		With TUCAN thermostatic head	
No	Color	Left version	Right version	Left version	Right version
02	Chrome	UGS0202CFK/L	UGS0202CFK/P	UGS10102CFK/L	UGS10102CFK/P
05	Structural graphite	UGS0205CFK/L	UGS0205CFK/P	UGS10105CFK/L	UGS10105CFK/P
06	White	UGS0206CFK/L	UGS0206CFK/P	UGS10106CFK/L	UGS10106CFK/P
07	Anthracite / Glossy graphite	UGS0207CFK/L	UGS0207CFK/P	UGS10107CFK/L	UGS10107CFK/P
12	Metallic graphite	UGS0212CFK/L	UGS0212CFK/P	UGS10112CFK/L	UGS10112CFK/P
13	Glossy black	UGS0213CFK/L	UGS0213CFK/P	UGS10113CFK/L	UGS10113CFK/P
14	Structural black	UGS0214CFK/L	UGS0214CFK/P	UGS10114CFK/L	UGS10114CFK/P
15	Dark structural graphite	UGS0215CFK/L	UGS0215CFK/P	UGS10115CFK/L	UGS10115CFK/P
19	Structural white	UGS0219CFK/L	UGS0219CFK/P	UGS10119CFK/L	UGS10119CFK/P
21	Matt white	UGS0221CFK/L	UGS0221CFK/P	UGS10121CFK/L	UGS10121CFK/P
24	Matt black	UGS0224CFK/L	UGS0224CFK/P	UGS10124CFK/L	UGS10124CFK/P
26	Deep matt black	UGS0226CFK/L	UGS0226CFK/P	UGS10126CFK/L	UGS10126CFK/P
Colors with 4-6 weeks delivery time		With PRESTIGE thermostatic head		With TUCAN thermostatic head	
No	Color	Left version	Right version	Left version	Right version
03	Satin	UGS0203CFK/L	UGS0203CFK/P	UGS10103CFK/L	UGS10103CFK/P
08	Nickel-grinded	UGS0208CFK/L	UGS0208CFK/P	UGS10108CFK/L	UGS10108CFK/P
11	Antique brass	UGS0211CFK/L	UGS0211CFK/P	UGS10111CFK/L	UGS10111CFK/P
29	Matt brass	UGS0229CFK/L	UGS0229CFK/P	UGS10129CFK/L	UGS10129CFK/P

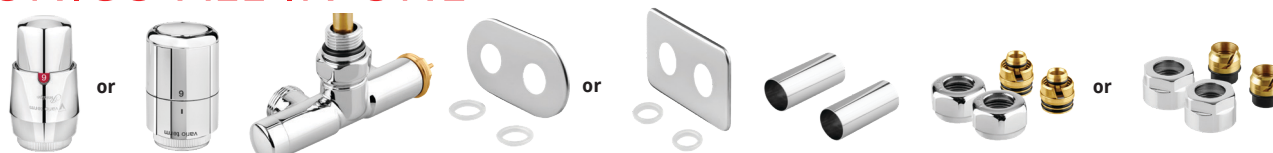
There is an option to opt for PEX connectors designed for valves with a compatible thread.

When placing an order, kindly include PEX or Cu or GZ at the end of the catalog number.

For example: UGS0202CFK/L(Cu).

Type	PEX (16x2)	Cu (15x1)	$\frac{1}{2}$ "M
End of the catalog number	PEX	Cu	GZ
			

UNICO ALL IN ONE



UNICO ALL IN ONE thermostatic set, right or left, $\frac{3}{4}$ "M x $\frac{1}{2}$ "M, connection spacing 50 mm. It is possible to connect an electric heater in the second bottom port of the radiator.

The set includes: 1 x UNICO thermostatic valve, 1 x PRESTIGE or TUCAN thermostatic head, 1 x immersion tube, 1 x double masking rosette, 2 x masking sleeves, 2 x adapters on PEX or Cu, 1 x reducing nipple $\frac{1}{2}$ " x $\frac{3}{4}$ ", 1 x mounting fitting.

When ordering, add (PEX) or (Cu) at the end of the catalog number. For example: AUGS10119CFK/L(Cu).

Set with an oval rosette

Colors with 1-7 days delivery time		With PRESTIGE thermostatic head		With TUCAN thermostatic head	
No	Color	Left version	Right version	Left version	Right version
02	Chrome	AUGS0202CFK/L	AUGS0202CFK/P	AUGS10102CFK/L	AUGS10102CFK/P
05	Structural graphite	AUGS0205CFK/L	AUGS0205CFK/P	AUGS10105CFK/L	AUGS10105CFK/P
06	White	AUGS0206CFK/L	AUGS0206CFK/P	AUGS10106CFK/L	AUGS10106CFK/P
07	Anthracite / Glossy graphite	AUGS0207CFK/L	AUGS0207CFK/P	AUGS10107CFK/L	AUGS10107CFK/P
12	Metallic graphite	AUGS0212CFK/L	AUGS0212CFK/P	AUGS10112CFK/L	AUGS10112CFK/P
13	Glossy black	AUGS0213CFK/L	AUGS0213CFK/P	AUGS10113CFK/L	AUGS10113CFK/P
14	Structural black	AUGS0214CFK/L	AUGS0214CFK/P	AUGS10114CFK/L	AUGS10114CFK/P
15	Dark structural graphite	AUGS0215CFK/L	AUGS0215CFK/P	AUGS10115CFK/L	AUGS10115CFK/P
19	Structural white	AUGS0219CFK/L	AUGS0219CFK/P	AUGS10119CFK/L	AUGS10119CFK/P
21	Matt white	AUGS0221CFK/L	AUGS0221CFK/P	AUGS10121CFK/L	AUGS10121CFK/P
24	Matt black	AUGS0224CFK/L	AUGS0224CFK/P	AUGS10124CFK/L	AUGS10124CFK/P
26	Deep matt black	AUGS0226CFK/L	AUGS0226CFK/P	AUGS10126CFK/L	AUGS10126CFK/P
Colors with 4-6 weeks delivery time		With PRESTIGE thermostatic head		With TUCAN thermostatic head	
No	Color	Left version	Right version	Left version	Right version
03	Satin	AUGS0203CFK/L	AUGS0203CFK/P	AUGS10103CFK/L	AUGS10103CFK/P
08	Nickel-grinded	AUGS0208CFK/L	AUGS0208CFK/P	AUGS10108CFK/L	AUGS10108CFK/P
11	Antique brass	AUGS0211CFK/L	AUGS0211CFK/P	AUGS10111CFK/L	AUGS10111CFK/P
29	Matt brass	AUGS0229CFK/L	AUGS0229CFK/P	AUGS10129CFK/L	AUGS10129CFK/P

Set with a rectangular rosette

Colors with 1-7 days delivery time		With PRESTIGE thermostatic head		With TUCAN thermostatic head	
No	Color	Left version	Right version	Left version	Right version
02	Chrome	APUGS0202CFK/L	APUGS0202CFK/P	APUGS10102CFK/L	APUGS10102CFK/P
05	Structural graphite	APUGS0205CFK/L	APUGS0205CFK/P	APUGS10105CFK/L	APUGS10105CFK/P
06	White	APUGS0206CFK/L	APUGS0206CFK/P	APUGS10106CFK/L	APUGS10106CFK/P
07	Anthracite / Glossy graphite	APUGS0207CFK/L	APUGS0207CFK/P	APUGS10107CFK/L	APUGS10107CFK/P
12	Metallic graphite	APUGS0212CFK/L	APUGS0212CFK/P	APUGS10112CFK/L	APUGS10112CFK/P
13	Glossy black	APUGS0213CFK/L	APUGS0213CFK/P	APUGS10113CFK/L	APUGS10113CFK/P
14	Structural black	APUGS0214CFK/L	APUGS0214CFK/P	APUGS10114CFK/L	APUGS10114CFK/P
15	Dark structural graphite	APUGS0215CFK/L	APUGS0215CFK/P	APUGS10115CFK/L	APUGS10115CFK/P
19	Structural white	APUGS0219CFK/L	APUGS0219CFK/P	APUGS10119CFK/L	APUGS10119CFK/P
21	Matt white	APUGS0221CFK/L	APUGS0221CFK/P	APUGS10121CFK/L	APUGS10121CFK/P
24	Matt black	APUGS0224CFK/L	APUGS0224CFK/P	APUGS10124CFK/L	APUGS10124CFK/P
26	Deep matt black	APUGS0226CFK/L	APUGS0226CFK/P	APUGS10126CFK/L	APUGS10126CFK/P
Colors with 4-6 weeks delivery time		With PRESTIGE thermostatic head		With TUCAN thermostatic head	
No	Color	Left version	Right version	Left version	Right version
03	Satin	APUGS0203CFK/L	APUGS0203CFK/P	APUGS10103CFK/L	APUGS10103CFK/P
08	Nickel-grinded	APUGS0208CFK/L	APUGS0208CFK/P	APUGS10108CFK/L	APUGS10108CFK/P
11	Antique brass	APUGS0211CFK/L	APUGS0211CFK/P	APUGS10111CFK/L	APUGS10111CFK/P
29	Matt brass	APUGS0229CFK/L	APUGS0229CFK/P	APUGS10129CFK/L	APUGS10129CFK/P

EXCLUSIVE SETS - THERMOSTATIC

VISION



VISION thermostatic set, axial, left or right, 1/2" male / M22x1.5 male.

The set includes: 1 x VISION thermostatic valve, 1 x VISION shut-off valve, 1 x PRESTIGE or TUCAN thermostatic head.

Colors with 1-7 days delivery time		With PRESTIGE thermostatic head		With TUCAN thermostatic head	
No	Color	Right version	Left version	Right version	Left version
02	Chrome	VIGS0202CFK/P	VIGS0202CFK/L	VIGS10102CFK/P	VIGS10102CFK/L
05	Structural graphite	VIGS0205CFK/P	VIGS0205CFK/L	VIGS10105CFK/P	VIGS10105CFK/L
06	White	VIGS0206CFK/P	VIGS0206CFK/L	VIGS10106CFK/P	VIGS10106CFK/L
07	Anthracite / Glossy graphite	VIGS0207CFK/P	VIGS0207CFK/L	VIGS10107CFK/P	VIGS10107CFK/L
12	Metallic graphite	VIGS0212CFK/P	VIGS0212CFK/L	VIGS10112CFK/P	VIGS10112CFK/L
13	Glossy black	VIGS0213CFK/P	VIGS0213CFK/L	VIGS10113CFK/P	VIGS10113CFK/L
14	Structural black	VIGS0214CFK/P	VIGS0214CFK/L	VIGS10114CFK/P	VIGS10114CFK/L
15	Dark structural graphite	VIGS0215CFK/P	VIGS0215CFK/L	VIGS10115CFK/P	VIGS10115CFK/L
19	Structural white	VIGS0219CFK/P	VIGS0219CFK/L	VIGS10119CFK/P	VIGS10119CFK/L
21	Matt white	VIGS0221CFK/P	VIGS0221CFK/L	VIGS10121CFK/P	VIGS10121CFK/L
24	Matt black	VIGS0224CFK/P	VIGS0224CFK/L	VIGS10124CFK/P	VIGS10124CFK/L
26	Deep matt black	VIGS0226CFK/P	VIGS0226CFK/L	VIGS10126CFK/P	VIGS10126CFK/L
Colors with 4-6 weeks delivery time		With PRESTIGE thermostatic head		With TUCAN thermostatic head	
No	Color	Right version	Left version	Right version	Left version
03	Satin	VIGS0203CFK/P	VIGS0203CFK/L	VIGS10103CFK/P	VIGS10103CFK/L
08	Nickel-grinded	VIGS0208CFK/P	VIGS0208CFK/L	VIGS10108CFK/P	VIGS10108CFK/L
11	Antique brass	VIGS0211CFK/P	VIGS0211CFK/L	VIGS10111CFK/P	VIGS10111CFK/L
29	Matt brass	VIGS0229CFK/P	VIGS0229CFK/L	VIGS10129CFK/P	VIGS10129CFK/L

There is an option to opt for PEX connectors designed for valves with a compatible thread.
When placing an order, kindly include PEX or Cu or GZ or GW at the end of the catalog number.
For example: VIGS0205CFK/L(PEX).

Type	PEX (16x2)	Cu (15x1)	1/2" M	1/2" F
End of the catalog number	PEX	Cu	GZ	GW

VISION ALL IN ONE



VISION ALL IN ONE thermostatic set, axial, left or right, ½" male / M22x1.5 male.

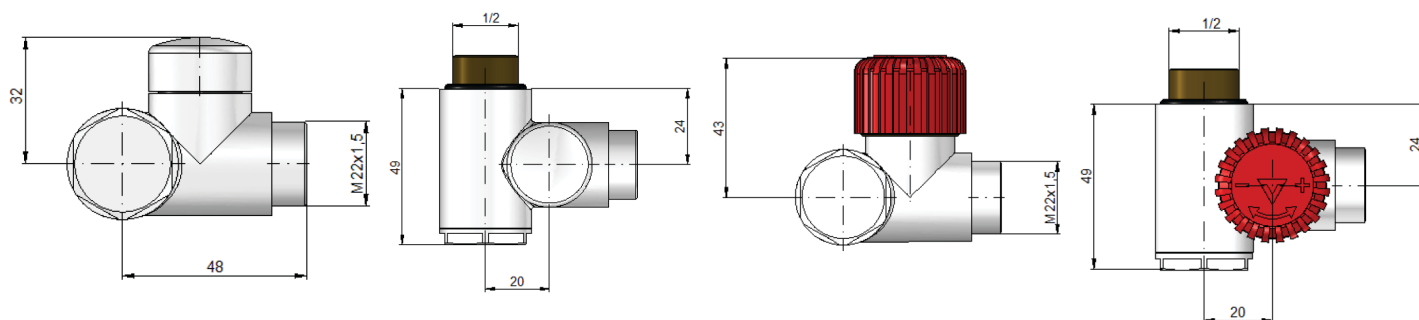
The set includes: 1 x VISION thermostatic valve, 1 x VISION shut-off valve, 1 x PRESTIGE or TUCAN thermostatic head, 2 x single masking rosettes, 2 x masking sleeves, 2 x PEX or Cu adapters.

Colors with 1-7 days delivery time		With PRESTIGE thermostatic head		With TUCAN thermostatic head	
No	Color	Right version	Left version	Right version	Left version
02	Chrome	AVIGS0202CFK/P	AVIGS0202CFK/L	AVIGS10102CFK/P	AVIGS10102CFK/L
05	Structural graphite	AVIGS0205CFK/P	AVIGS0205CFK/L	AVIGS10105CFK/P	AVIGS10105CFK/L
06	White	AVIGS0206CFK/P	AVIGS0206CFK/L	AVIGS10106CFK/P	AVIGS10106CFK/L
07	Anthracite / Glossy graphite	AVIGS0207CFK/P	AVIGS0207CFK/L	AVIGS10107CFK/P	AVIGS10107CFK/L
12	Metallic graphite	AVIGS0212CFK/P	AVIGS0212CFK/L	AVIGS10112CFK/P	AVIGS10112CFK/L
13	Glossy black	AVIGS0213CFK/P	AVIGS0213CFK/L	AVIGS10113CFK/P	AVIGS10113CFK/L
14	Structural black	AVIGS0214CFK/P	AVIGS0214CFK/L	AVIGS10114CFK/P	AVIGS10114CFK/L
15	Dark structural graphite	AVIGS0215CFK/P	AVIGS0215CFK/L	AVIGS10115CFK/P	AVIGS10115CFK/L
19	Structural white	AVIGS0219CFK/P	AVIGS0219CFK/L	AVIGS10119CFK/P	AVIGS10119CFK/L
21	Matt white	AVIGS0221CFK/P	AVIGS0221CFK/L	AVIGS10121CFK/P	AVIGS10121CFK/L
24	Matt black	AVIGS0224CFK/P	AVIGS0224CFK/L	AVIGS10124CFK/P	AVIGS10124CFK/L
26	Deep matt black	AVIGS0226CFK/P	AVIGS0226CFK/L	AVIGS10126CFK/P	AVIGS10126CFK/L
Colors with 4-6 weeks delivery time		With PRESTIGE thermostatic head		With TUCAN thermostatic head	
No	Color	Right version	Left version	Right version	Left version
03	Satin	AVIGS0203CFK/P	AVIGS0203CFK/L	AVIGS10103CFK/P	AVIGS10103CFK/L
08	Nickel-grinded	AVIGS0208CFK/P	AVIGS0208CFK/L	AVIGS10108CFK/P	AVIGS10108CFK/L
11	Antique brass	AVIGS0211CFK/P	AVIGS0211CFK/L	AVIGS10111CFK/P	AVIGS10111CFK/L
29	Matt brass	AVIGS0229CFK/P	AVIGS0229CFK/L	AVIGS10129CFK/P	AVIGS10129CFK/L

When ordering, add (PEX) or (Cu) at the end of the catalog number.

For example: AVIGS10112CFK/P(PEX).

INTEGRA



INTEGRA thermostatic set, left or right, 1/2" male / M22x1,5 male.

The set includes: INTEGRA thermostatic valve, INTEGRA shut-off valve, PRESTIGE or TUCAN thermostatic head. It is possible to connect an electric heater in the second bottom port of the radiator.

Colors with 1-7 days delivery time		With PRESTIGE thermostatic head		With TUCAN thermostatic head	
No	Color	Left version	Right version	Left version	Right version
02	Chrome	IGS0202CFK/L	IGS0202CFK/P	IGS10102CFK/L	IGS10102CFK/P
05	Structural graphite	IGS0205CFK/L	IGS0205CFK/P	IGS10105CFK/L	IGS10105CFK/P
06	White	IGS0206CFK/L	IGS0206CFK/P	IGS10106CFK/L	IGS10106CFK/P
07	Anthracite / Glossy graphite	IGS0207CFK/L	IGS0207CFK/P	IGS10107CFK/L	IGS10107CFK/P
12	Metallic graphite	IGS0212CFK/L	IGS0212CFK/P	IGS10112CFK/L	IGS10112CFK/P
13	Glossy black	IGS0213CFK/L	IGS0213CFK/P	IGS10113CFK/L	IGS10113CFK/P
14	Structural black	IGS0214CFK/L	IGS0214CFK/P	IGS10114CFK/L	IGS10114CFK/P
15	Dark structural graphite	IGS0215CFK/L	IGS0215CFK/P	IGS10115CFK/L	IGS10115CFK/P
19	Structural white	IGS0219CFK/L	IGS0219CFK/P	IGS10119CFK/L	IGS10119CFK/P
21	Matt white	IGS0221CFK/L	IGS0221CFK/P	IGS10121CFK/L	IGS10121CFK/P
24	Matt black	IGS0224CFK/L	IGS0224CFK/P	IGS10124CFK/L	IGS10124CFK/P
26	Deep matt black	IGS0226CFK/L	IGS0226CFK/P	IGS10126CFK/L	IGS10126CFK/P
Colors with 4-6 weeks delivery time		With PRESTIGE thermostatic head		With TUCAN thermostatic head	
No	Color	Left version	Right version	Left version	Right version
03	Satin	IGS0203CFK/L	IGS0203CFK/P	IGS10103CFK/L	IGS10103CFK/P
08	Nickel-grinded	IGS0208CFK/L	IGS0208CFK/P	IGS10108CFK/L	IGS10108CFK/P
11	Antique brass	IGS0211CFK/L	IGS0211CFK/P	IGS10111CFK/L	IGS10111CFK/P
29	Matt brass	IGS0229CFK/L	IGS0229CFK/P	IGS10129CFK/L	IGS10129CFK/P

There is an option to opt for PEX connectors designed for valves with a compatible thread. When placing an order, kindly include PEX or Cu or GZ or GW at the end of the catalog number. For example: IGS10103CFK/L(PEX).

Type	PEX (16x2)	Cu (15x1)	1/2" M	1/2" F
End of the catalog number	PEX	Cu	GZ	GW

INTEGRA ALL IN ONE



INTEGRA ALL IN ONE thermostatic set, left or right, ½" male / M22x1,5 male.

The set includes: 1 x INTEGRA thermostatic valve, 1 x INTEGRA shut-off valve, 1 x PRESTIGE or TUCAN thermostatic head, 2 x single masking rosettes, 2 x masking sleeves, 2 x PEX or Cu adapters.

It is possible to connect an electric heater in the second bottom port of the radiator.

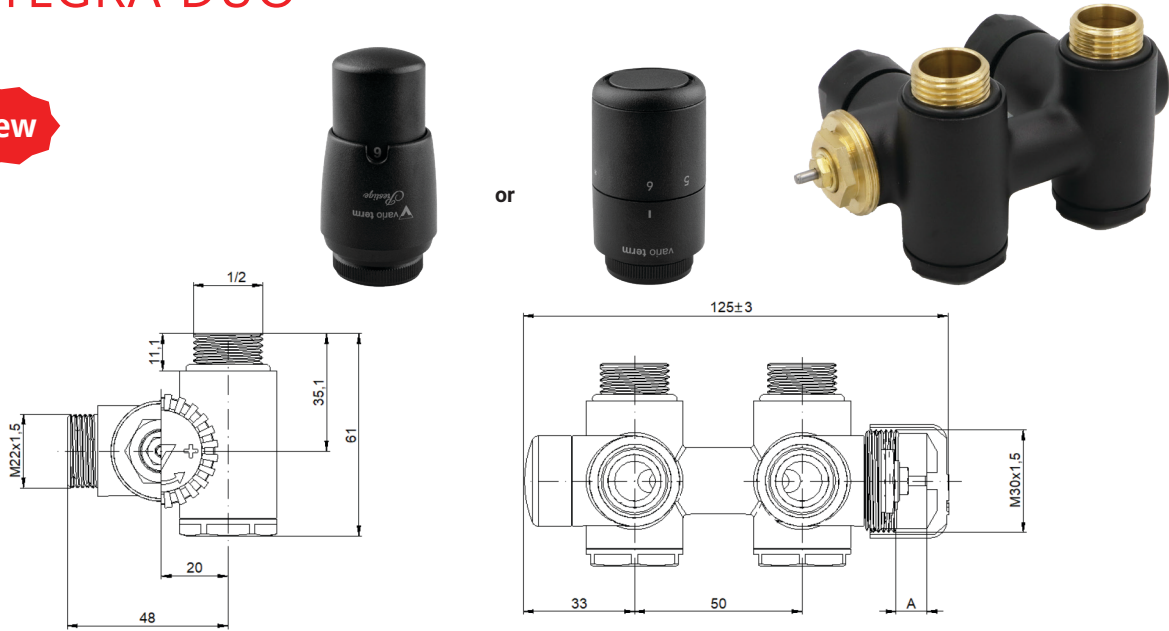
Colors with 1-7 days delivery time		With PRESTIGE thermostatic head		With TUCAN thermostatic head	
No	Color	Left version	Right version	Left version	Right version
02	Chrome	AIGS0202CFK/L	AIGS0202CFK/P	AIGS10102CFK/L	AIGS10102CFK/P
05	Structural graphite	AIGS0205CFK/L	AIGS0205CFK/P	AIGS10105CFK/L	AIGS10105CFK/P
06	White	AIGS0206CFK/L	AIGS0206CFK/P	AIGS10106CFK/L	AIGS10106CFK/P
07	Anthracite / Glossy graphite	AIGS0207CFK/L	AIGS0207CFK/P	AIGS10107CFK/L	AIGS10107CFK/P
12	Metallic graphite	AIGS0212CFK/L	AIGS0212CFK/P	AIGS10112CFK/L	AIGS10112CFK/P
13	Glossy black	AIGS0213CFK/L	AIGS0213CFK/P	AIGS10113CFK/L	AIGS10113CFK/P
14	Structural black	AIGS0214CFK/L	AIGS0214CFK/P	AIGS10114CFK/L	AIGS10114CFK/P
15	Dark structural graphite	AIGS0215CFK/L	AIGS0215CFK/P	AIGS10115CFK/L	AIGS10115CFK/P
19	Structural white	AIGS0219CFK/L	AIGS0219CFK/P	AIGS10119CFK/L	AIGS10119CFK/P
21	Matt white	AIGS0221CFK/L	AIGS0221CFK/P	AIGS10121CFK/L	AIGS10121CFK/P
24	Matt black	AIGS0224CFK/L	AIGS0224CFK/P	AIGS10124CFK/L	AIGS10124CFK/P
26	Deep matt black	AIGS0226CFK/L	AIGS0226CFK/P	AIGS10126CFK/L	AIGS10126CFK/P
Colors with 4-6 weeks delivery time		With PRESTIGE thermostatic head		With TUCAN thermostatic head	
No	Color	Left version	Right version	Left version	Right version
03	Satin	AIGS0203CFK/L	AIGS0203CFK/P	AIGS10103CFK/L	AIGS10103CFK/P
08	Nickel-grinded	AIGS0208CFK/L	AIGS0208CFK/P	AIGS10108CFK/L	AIGS10108CFK/P
11	Antique brass	AIGS0211CFK/L	AIGS0211CFK/P	AIGS10111CFK/L	AIGS10111CFK/P
29	Matt brass	AIGS0229CFK/L	AIGS0229CFK/P	AIGS10129CFK/L	AIGS10129CFK/P

When ordering, add (PEX) or (Cu) at the end of the catalog number.

For example: AIGS0205CFK/P(PEX).

INTEGRA DUO

New



INTEGRA DUO ALL IN ONE thermostatic set, left or right, 1/2" male / M22x1,5 male.

The set includes: 1 x INTEGRA DUO thermostatic valve, 1 x PRESTIGE or TUCAN thermostatic head. The valve body is integrated with the T-piece, enabling the connection of an electric heater to the radiator.

Colors with 1-7 days delivery time		With PRESTIGE thermostatic head		With TUCAN thermostatic head	
No	Color	Right version	Left version	Right version	Left version
02	Chrome	IDGS0202CFK/P	IDGS0202CFK/L	IDGS10102CFK/P	IDGS10102CFK/L
05	Structural graphite	IDGS0205CFK/P	IDGS0205CFK/L	IDGS10105CFK/P	IDGS10105CFK/L
06	White	IDGS0206CFK/P	IDGS0206CFK/L	IDGS10106CFK/P	IDGS10106CFK/L
07	Anthracite / Glossy graphite	IDGS0207CFK/P	IDGS0207CFK/L	IDGS10107CFK/P	IDGS10107CFK/L
12	Metallic graphite	IDGS0212CFK/P	IDGS0212CFK/L	IDGS10112CFK/P	IDGS10112CFK/L
13	Glossy black	IDGS0213CFK/P	IDGS0213CFK/L	IDGS10113CFK/P	IDGS10113CFK/L
14	Structural black	IDGS0214CFK/P	IDGS0214CFK/L	IDGS10114CFK/P	IDGS10114CFK/L
15	Dark structural graphite	IDGS0215CFK/P	IDGS0215CFK/L	IDGS10115CFK/P	IDGS10115CFK/L
19	Structural white	IDGS0219CFK/P	IDGS0219CFK/L	IDGS10119CFK/P	IDGS10119CFK/L
21	Matt white	IDGS0221CFK/P	IDGS0221CFK/L	IDGS10121CFK/P	IDGS10121CFK/L
24	Matt black	IDGS0224CFK/P	IDGS0224CFK/L	IDGS10124CFK/P	IDGS10124CFK/L
26	Deep matt black	IDGS0226CFK/P	IDGS0226CFK/L	IDGS10126CFK/P	IDGS10126CFK/L
Colors with 4-6 weeks delivery time		With PRESTIGE thermostatic head		With TUCAN thermostatic head	
No	Color	Right version	Left version	Right version	Left version
03	Satin	IDGS0203CFK/P	IDGS0203CFK/L	IDGS10103CFK/P	IDGS10103CFK/L
08	Nickel-grinded	IDGS0208CFK/P	IDGS0208CFK/L	IDGS10108CFK/P	IDGS10108CFK/L
11	Antique brass	IDGS0211CFK/P	IDGS0211CFK/L	IDGS10111CFK/P	IDGS10111CFK/L
29	Matt brass	IDGS0229CFK/P	IDGS0229CFK/L	IDGS10129CFK/P	IDGS10129CFK/L

There is an option to opt for PEX connectors designed for valves with a compatible thread in the color of the valves. When placing an order, kindly include PEX or Cu or GZ or GW at the end of the catalog number. For example: IDGS10103CFK/L(GW) for set with 1/2" F fittings.

Type	PEX (16x2)	Cu (15x1)	1/2" M	1/2" F
End of the catalog number	PEX	Cu	GZ	GW

INTEGRA DUO ALL IN ONE



INTEGRA DUO ALL IN ONE thermostatic set, left or right, ½" male / M22x1,5 male.

The set includes: 1 x INTEGRA thermostatic valve, 1 x PRESTIGE or TUCAN thermostatic head, 1 x double masking rosettes, 2 x masking sleeves, 2 x PEX or Cu adapters.

The valve body is integrated with the T-piece, enabling the connection of an electric heater to the radiator.

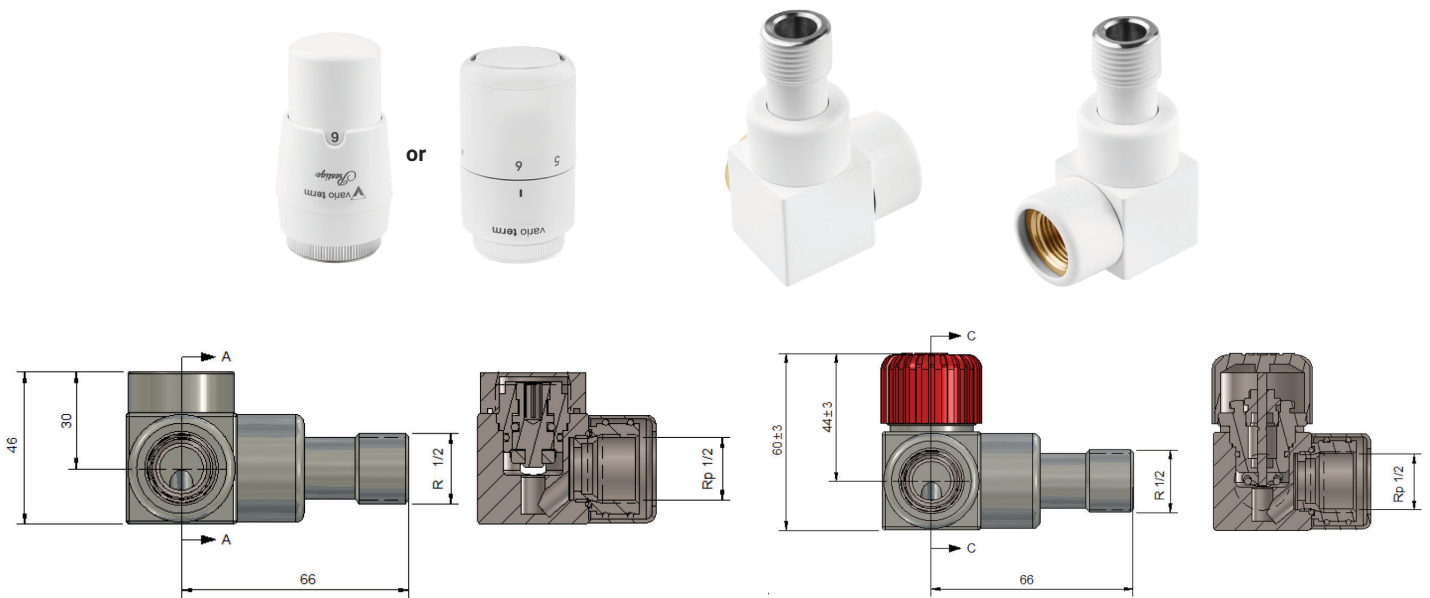
Colors with 1-7 days delivery time		With PRESTIGE thermostatic head		With TUCAN thermostatic head	
No	Color	Right version	Left version	Right version	Left version
02	Chrome	AIDGS0202CFK/P	AIDGS0202CFK/L	AIDGS10102CFK/P	AIDGS10102CFK/L
05	Structural graphite	AIDGS0205CFK/P	AIDGS0205CFK/L	AIDGS10105CFK/P	AIDGS10105CFK/L
06	White	AIDGS0206CFK/P	AIDGS0206CFK/L	AIDGS10106CFK/P	AIDGS10106CFK/L
07	Anthracite / Glossy graphite	AIDGS0207CFK/P	AIDGS0207CFK/L	AIDGS10107CFK/P	AIDGS10107CFK/L
12	Metallic graphite	AIDGS0212CFK/P	AIDGS0212CFK/L	AIDGS10112CFK/P	AIDGS10112CFK/L
13	Glossy black	AIDGS0213CFK/P	AIDGS0213CFK/L	AIDGS10113CFK/P	AIDGS10113CFK/L
14	Structural black	AIDGS0214CFK/P	AIDGS0214CFK/L	AIDGS10114CFK/P	AIDGS10114CFK/L
15	Dark structural graphite	AIDGS0215CFK/P	AIDGS0215CFK/L	AIDGS10115CFK/P	AIDGS10115CFK/L
19	Structural white	AIDGS0219CFK/P	AIDGS0219CFK/L	AIDGS10119CFK/P	AIDGS10119CFK/L
21	Matt white	AIDGS0221CFK/P	AIDGS0221CFK/L	AIDGS10121CFK/P	AIDGS10121CFK/L
24	Matt black	AIDGS0224CFK/P	AIDGS0224CFK/L	AIDGS10124CFK/P	AIDGS10124CFK/L
26	Deep matt black	AIDGS0226CFK/P	AIDGS0226CFK/L	AIDGS10126CFK/P	AIDGS10126CFK/L
Colors with 4-6 weeks delivery time		With PRESTIGE thermostatic head		With TUCAN thermostatic head	
No	Color	Right version	Left version	Right version	Left version
03	Satin	AIDGS0203CFK/P	AIDGS0203CFK/L	AIDGS10103CFK/P	AIDGS10103CFK/L
08	Nickel-grinded	AIDGS0208CFK/P	AIDGS0208CFK/L	AIDGS10108CFK/P	AIDGS10108CFK/L
11	Antique brass	AIDGS0211CFK/P	AIDGS0211CFK/L	AIDGS10111CFK/P	AIDGS10111CFK/L
29	Matt brass	AIDGS0229CFK/P	AIDGS0229CFK/L	AIDGS10129CFK/P	AIDGS10129CFK/L

When ordering, add (PEX) or (Cu) at the end of the catalog number.

For example: AIDGS0221CFK/L(PEX).

EXCLUSIVE SETS - THERMOSTATIC

QUATTRO



QUATTRO thermostatic set, axial left or right, 1/2" F x 1/2" M.

The set includes: 1 x QUATTRO thermostatic valve, 1 x QUATTRO shut-off valve, 1 x PRESTIGE or TUCAN thermostatic head.

Colors with 1-7 days delivery time		With PRESTIGE thermostatic head		With TUCAN thermostatic head	
No	Color	Right version	Left version	Right version	Left version
02	Chrome	QGS0202CFK/P	QGS0202CFK/L	QGS10102CFK/P	QGS10102CFK/L
05	Structural graphite	QGS0205CFK/P	QGS0205CFK/L	QGS10105CFK/P	QGS10105CFK/L
06	White	QGS0206CFK/P	QGS0206CFK/L	QGS10106CFK/P	QGS10106CFK/L
07	Anthracite / Glossy graphite	QGS0207CFK/P	QGS0207CFK/L	QGS10107CFK/P	QGS10107CFK/L
12	Metallic graphite	QGS0212CFK/P	QGS0212CFK/L	QGS10112CFK/P	QGS10112CFK/L
13	Glossy black	QGS0213CFK/P	QGS0213CFK/L	QGS10113CFK/P	QGS10113CFK/L
14	Structural black	QGS0214CFK/P	QGS0214CFK/L	QGS10114CFK/P	QGS10114CFK/L
15	Dark structural graphite	QGS0215CFK/P	QGS0215CFK/L	QGS10115CFK/P	QGS10115CFK/L
19	Structural white	QGS0219CFK/P	QGS0219CFK/L	QGS10119CFK/P	QGS10119CFK/L
21	Matt white	QGS0221CFK/P	QGS0221CFK/L	QGS10121CFK/P	QGS10121CFK/L
24	Matt black	QGS0224CFK/P	QGS0224CFK/L	QGS10124CFK/P	QGS10124CFK/L
26	Deep matt black	QGS0226CFK/P	QGS0226CFK/L	QGS10126CFK/P	QGS10126CFK/L
Colors with 4-6 weeks delivery time		With PRESTIGE thermostatic head		With TUCAN thermostatic head	
No	Color	Right version	Left version	Right version	Left version
03	Satin	QGS0203CFK/P	QGS0203CFK/L	QGS10103CFK/P	QGS10103CFK/L
08	Nickel-grinded	QGS0208CFK/P	QGS0208CFK/L	QGS10108CFK/P	QGS10108CFK/L
11	Antique brass	QGS0211CFK/P	QGS0211CFK/L	QGS10111CFK/P	QGS10111CFK/L
29	Matt brass	QGS0229CFK/P	QGS0229CFK/L	QGS10129CFK/P	QGS10129CFK/L

There is an option to opt for PEX connectors designed for valves with a compatible thread.

The fittings are an integral part of the valve (when ordering, add (PEX) or (Cu) at the end of the catalog number).

For example: QGS0229CFK/P(PEX).

QUATTRO ALL IN ONE



QUATTRO ALL IN ONE thermostatic set, axial left or right, 1/2" F x 1/2" M.

The set includes: 1 x QUATTRO thermostatic valve, 1 x QUATTRO shut-off valve, 1 x PRESTIGE or TUCAN thermostatic head, 2 x single masking rosettes, 2 x masking sleeves. The fittings are an integral part of the valve (when ordering, add (PEX) or (Cu) at the end of the catalog number). For example: AQGS0208CFK/P(Cu).

Set with round rosettes

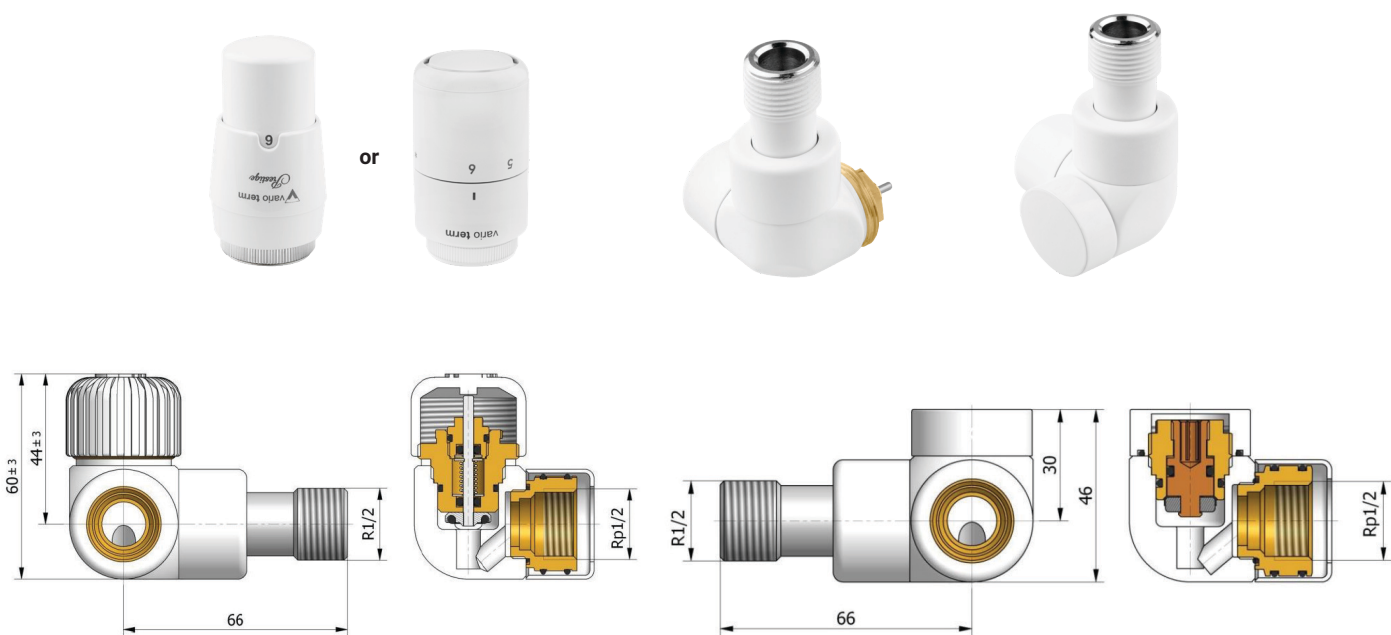
Colors with 1-7 days delivery time		With PRESTIGE thermostatic head		With TUCAN thermostatic head	
No	Color	Right version	Left version	Right version	Left version
02	Chrome	AQGS0202CFK/P	AQGS0202CFK/L	AQGS10102CFK/P	AQGS10102CFK/L
05	Structural graphite	AQGS0205CFK/P	AQGS0205CFK/L	AQGS10105CFK/P	AQGS10105CFK/L
06	White	AQGS0206CFK/P	AQGS0206CFK/L	AQGS10106CFK/P	AQGS10106CFK/L
07	Anthracite / Glossy graphite	AQGS0207CFK/P	AQGS0207CFK/L	AQGS10107CFK/P	AQGS10107CFK/L
12	Metallic graphite	AQGS0212CFK/P	AQGS0212CFK/L	AQGS10112CFK/P	AQGS10112CFK/L
13	Glossy black	AQGS0213CFK/P	AQGS0213CFK/L	AQGS10113CFK/P	AQGS10113CFK/L
14	Structural black	AQGS0214CFK/P	AQGS0214CFK/L	AQGS10114CFK/P	AQGS10114CFK/L
15	Dark structural graphite	AQGS0215CFK/P	AQGS0215CFK/L	AQGS10115CFK/P	AQGS10115CFK/L
19	Structural white	AQGS0219CFK/P	AQGS0219CFK/L	AQGS10119CFK/P	AQGS10119CFK/L
21	Matt white	AQGS0221CFK/P	AQGS0221CFK/L	AQGS10121CFK/P	AQGS10121CFK/L
24	Matt black	AQGS0224CFK/P	AQGS0224CFK/L	AQGS10124CFK/P	AQGS10124CFK/L
26	Deep matt black	AQGS0226CFK/P	AQGS0226CFK/L	AQGS10126CFK/P	AQGS10126CFK/L
Colors with 4-6 weeks delivery time		With PRESTIGE thermostatic head		With TUCAN thermostatic head	
No	Color	Right version	Left version	Right version	Left version
03	Satin	AQGS0203CFK/P	AQGS0203CFK/L	AQGS10103CFK/P	AQGS10103CFK/L
08	Nickel-grinded	AQGS0208CFK/P	AQGS0208CFK/L	AQGS10108CFK/P	AQGS10108CFK/L
11	Antique brass	AQGS0211CFK/P	AQGS0211CFK/L	AQGS10111CFK/P	AQGS10111CFK/L
29	Matt brass	AQGS0229CFK/P	AQGS0229CFK/L	AQGS10129CFK/P	AQGS10129CFK/L

Set with square rosettes

Colors with 1-7 days delivery time		With PRESTIGE thermostatic head		With TUCAN thermostatic head	
No	Color	Right version	Left version	Right version	Left version
02	Chrome	APQGS0202CFK/P	APQGS0202CFK/L	APQGS10102CFK/P	APQGS10102CFK/L
05	Structural graphite	APQGS0205CFK/P	APQGS0205CFK/L	APQGS10105CFK/P	APQGS10105CFK/L
06	White	APQGS0206CFK/P	APQGS0206CFK/L	APQGS10106CFK/P	APQGS10106CFK/L
07	Anthracite / Glossy graphite	APQGS0207CFK/P	APQGS0207CFK/L	APQGS10107CFK/P	APQGS10107CFK/L
12	Metallic graphite	APQGS0212CFK/P	APQGS0212CFK/L	APQGS10112CFK/P	APQGS10112CFK/L
13	Glossy black	APQGS0213CFK/P	APQGS0213CFK/L	APQGS10113CFK/P	APQGS10113CFK/L
14	Structural black	APQGS0214CFK/P	APQGS0214CFK/L	APQGS10114CFK/P	APQGS10114CFK/L
15	Dark structural graphite	APQGS0215CFK/P	APQGS0215CFK/L	APQGS10115CFK/P	APQGS10115CFK/L
19	Structural white	APQGS0219CFK/P	APQGS0219CFK/L	APQGS10119CFK/P	APQGS10119CFK/L
21	Matt white	APQGS0221CFK/P	APQGS0221CFK/L	APQGS10121CFK/P	APQGS10121CFK/L
24	Matt black	APQGS0224CFK/P	APQGS0224CFK/L	APQGS10124CFK/P	APQGS10124CFK/L
26	Deep matt black	APQGS0226CFK/P	APQGS0226CFK/L	APQGS10126CFK/P	APQGS10126CFK/L
Colors with 4-6 weeks delivery time		With PRESTIGE thermostatic head		With TUCAN thermostatic head	
No	Color	Right version	Left version	Right version	Left version
03	Satin	APQGS0203CFK/P	APQGS0203CFK/L	APQGS10103CFK/P	APQGS10103CFK/L
08	Nickel-grinded	APQGS0208CFK/P	APQGS0208CFK/L	APQGS10108CFK/P	APQGS10108CFK/L
11	Antique brass	APQGS0211CFK/P	APQGS0211CFK/L	APQGS10111CFK/P	APQGS10111CFK/L
29	Matt brass	APQGS0229CFK/P	APQGS0229CFK/L	APQGS10129CFK/P	APQGS10129CFK/L

EXCLUSIVE SETS - THERMOSTATIC

LUX I



LUX I thermostatic set, axial, left or right, ½" F x ½" M.

The set includes: 1 x LUX I thermostatic valve, 1 x LUX I shut-off valve, 1 x PRESTIGE or TUCAN thermostatic head.

Colors with 1-7 days delivery time		With PRESTIGE thermostatic head		With TUCAN thermostatic head	
No	Color	Right version	Left version	Right version	Left version
02	Chrome	LUX1GS0202CFK/P	LUX1GS0202CFK/L	LUX1GS10102CFK/P	LUX1GS10102CFK/L
05	Structural graphite	LUX1GS0205CFK/P	LUX1GS0205CFK/L	LUX1GS10105CFK/P	LUX1GS10105CFK/L
06	White	LUX1GS0206CFK/P	LUX1GS0206CFK/L	LUX1GS10106CFK/P	LUX1GS10106CFK/L
07	Anthracite / Glossy graphite	LUX1GS0207CFK/P	LUX1GS0207CFK/L	LUX1GS10107CFK/P	LUX1GS10107CFK/L
12	Metallic graphite	LUX1GS0212CFK/P	LUX1GS0212CFK/L	LUX1GS10112CFK/P	LUX1GS10112CFK/L
13	Glossy black	LUX1GS0213CFK/P	LUX1GS0213CFK/L	LUX1GS10113CFK/P	LUX1GS10113CFK/L
14	Structural black	LUX1GS0214CFK/P	LUX1GS0214CFK/L	LUX1GS10114CFK/P	LUX1GS10114CFK/L
15	Dark structural graphite	LUX1GS0215CFK/P	LUX1GS0215CFK/L	LUX1GS10115CFK/P	LUX1GS10115CFK/L
19	Structural white	LUX1GS0219CFK/P	LUX1GS0219CFK/L	LUX1GS10119CFK/P	LUX1GS10119CFK/L
21	Matt white	LUX1GS0221CFK/P	LUX1GS0221CFK/L	LUX1GS10121CFK/P	LUX1GS10121CFK/L
24	Matt black	LUX1GS0224CFK/P	LUX1GS0224CFK/L	LUX1GS10124CFK/P	LUX1GS10124CFK/L
26	Deep matt black	LUX1GS0226CFK/P	LUX1GS0226CFK/L	LUX1GS10126CFK/P	LUX1GS10126CFK/L
Colors with 4-6 weeks delivery time		With PRESTIGE thermostatic head		With TUCAN thermostatic head	
No	Color	Right version	Left version	Right version	Left version
03	Satin	LUX1GS0203CFK/P	LUX1GS0203CFK/L	LUX1GS10103CFK/P	LUX1GS10103CFK/L
08	Nickel-grinded	LUX1GS0208CFK/P	LUX1GS0208CFK/L	LUX1GS10108CFK/P	LUX1GS10108CFK/L
11	Antique brass	LUX1GS0211CFK/P	LUX1GS0211CFK/L	LUX1GS10111CFK/P	LUX1GS10111CFK/L
29	Matt brass	LUX1GS0229CFK/P	LUX1GS0229CFK/L	LUX1GS10129CFK/P	LUX1GS10129CFK/L

There is an option to opt for PEX connectors designed for valves with a compatible thread.

The fittings are an integral part of the valve (when ordering, add (PEX) or (Cu) at the end of the catalog number).

For example: LUX1GS0221C/L(Cu).

LUX I ALL IN ONE



The fittings are an integral part of the valve.

LUX I ALL IN ONE thermostatic set, axial, left or right, ½" F x ½" M.

The set includes: 1 x LUX I thermostatic valve, 1 x LUX I shut-off valve, 1 x PRESTIGE or TUCAN thermostatic head, 2 x single masking rosettes, 2 x masking sleeves.

Colors with 1-7 days delivery time		With PRESTIGE thermostatic head		With TUCAN thermostatic head	
No	Color	Right version	Left version	Right version	Left version
02	Chrome	ALUX1GS0202CFK/P	ALUX1GS0202CFK/L	ALUX1GS10102CFK/P	ALUX1GS10102CFK/L
05	Structural graphite	ALUX1GS0205CFK/P	ALUX1GS0205CFK/L	ALUX1GS10105CFK/P	ALUX1GS10105CFK/L
06	White	ALUX1GS0206CFK/P	ALUX1GS0206CFK/L	ALUX1GS10106CFK/P	ALUX1GS10106CFK/L
07	Anthracite / Glossy graphite	ALUX1GS0207CFK/P	ALUX1GS0207CFK/L	ALUX1GS10107CFK/P	ALUX1GS10107CFK/L
12	Metallic graphite	ALUX1GS0212CFK/P	ALUX1GS0212CFK/L	ALUX1GS10112CFK/P	ALUX1GS10112CFK/L
13	Glossy black	ALUX1GS0213CFK/P	ALUX1GS0213CFK/L	ALUX1GS10113CFK/P	ALUX1GS10113CFK/L
14	Structural black	ALUX1GS0214CFK/P	ALUX1GS0214CFK/L	ALUX1GS10114CFK/P	ALUX1GS10114CFK/L
15	Dark structural graphite	ALUX1GS0215CFK/P	ALUX1GS0215CFK/L	ALUX1GS10115CFK/P	ALUX1GS10115CFK/L
19	Structural white	ALUX1GS0219CFK/P	ALUX1GS0219CFK/L	ALUX1GS10119CFK/P	ALUX1GS10119CFK/L
21	Matt white	ALUX1GS0221CFK/P	ALUX1GS0221CFK/L	ALUX1GS10121CFK/P	ALUX1GS10121CFK/L
24	Matt black	ALUX1GS0224CFK/P	ALUX1GS0224CFK/L	ALUX1GS10124CFK/P	ALUX1GS10124CFK/L
26	Deep matt black	ALUX1GS0226CFK/P	ALUX1GS0226CFK/L	ALUX1GS10126CFK/P	ALUX1GS10126CFK/L
Colors with 4-6 weeks delivery time		With PRESTIGE thermostatic head		With TUCAN thermostatic head	
No	Color	Right version	Left version	Right version	Left version
03	Satin	ALUX1GS0203CFK/P	ALUX1GS0203CFK/L	ALUX1GS10103CFK/P	ALUX1GS10103CFK/L
08	Nickel-grinded	ALUX1GS0208CFK/P	ALUX1GS0208CFK/L	ALUX1GS10108CFK/P	ALUX1GS10108CFK/L
11	Antique brass	ALUX1GS0211CFK/P	ALUX1GS0211CFK/L	ALUX1GS10111CFK/P	ALUX1GS10111CFK/L
29	Matt brass	ALUX1GS0229CFK/P	ALUX1GS0229CFK/L	ALUX1GS10129CFK/P	ALUX1GS10129CFK/L

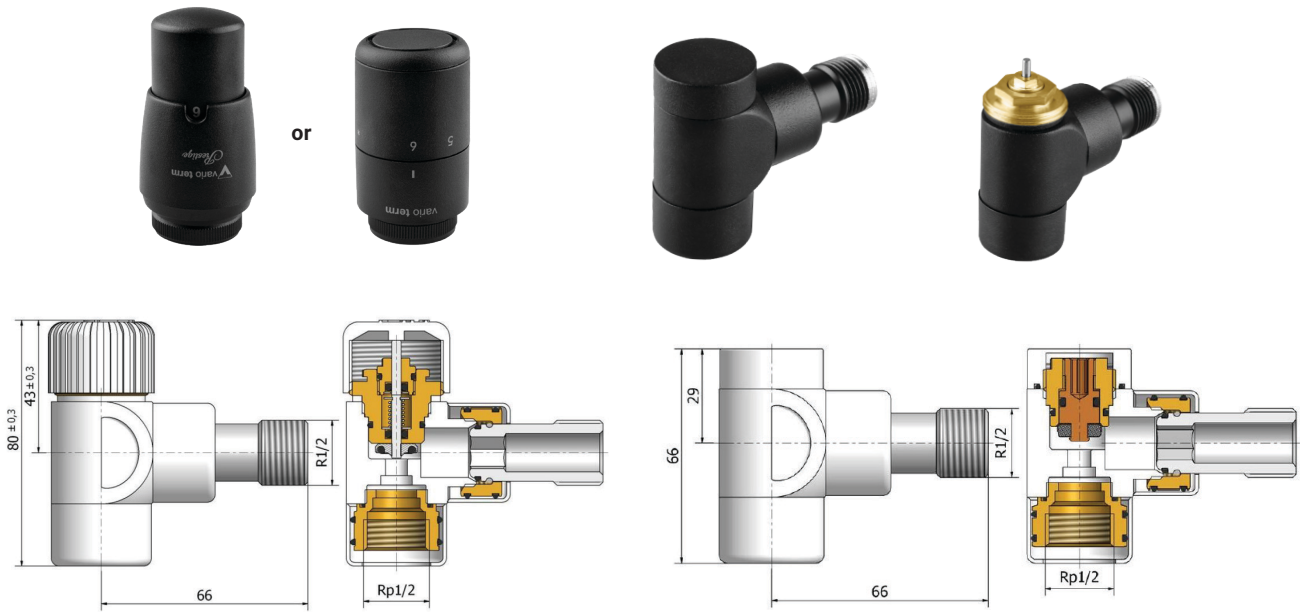
Optional for PEX connectors designed for valves with a compatible thread.

The fittings are an integral part of the valve (when ordering, add (PEX) or (Cu) at the end of the catalog number).

For example: ALUX1GS10107CFK/P(PEX).

EXCLUSIVE SETS - THERMOSTATIC

LUX II



LUX II thermostatic set, agular, 1/2" F x 1/2" M.

The set includes: 1 x LUX II thermostatic valve, 1 x LUX II shut-off valve, 1 x PRESTIGE or TUCAN thermostatic head.

Colors with 1-7 days delivery time

No	Color	With PRESTIGE thermostatic head	With TUCAN thermostatic head
02	Chrome	LUX2GS0202CFK	LUX2GS10102CFK
05	Structural graphite	LUX2GS0205CFK	LUX2GS10105CFK
06	White	LUX2GS0206CFK	LUX2GS10106CFK
07	Anthracite / Glossy graphite	LUX2GS0207CFK	LUX2GS10107CFK
12	Metallic graphite	LUX2GS0212CFK	LUX2GS10112CFK
13	Glossy black	LUX2GS0213CFK	LUX2GS10113CFK
14	Structural black	LUX2GS0214CFK	LUX2GS10114CFK
15	Dark structural graphite	LUX2GS0215CFK	LUX2GS10115CFK
19	Structural white	LUX2GS0219CFK	LUX2GS10119CFK
21	Matt white	LUX2GS0221CFK	LUX2GS10121CFK
24	Matt black	LUX2GS0224CFK	LUX2GS10124CFK
26	Deep matt black	LUX2GS0226CFK	LUX2GS10126CFK

Colors with 4-6 weeks delivery time

No	Color	With PRESTIGE thermostatic head	With TUCAN thermostatic head
03	Satin	LUX2GS0203CFK	LUX2GS10103CFK
08	Nickel-grinded	LUX2GS0208CFK	LUX2GS10108CFK
11	Antique brass	LUX2GS0211CFK	LUX2GS10111CFK
29	Matt brass	LUX2GS0229CFK	LUX2GS10129CFK

There is an option to opt for PEX connectors designed for valves with a compatible thread.

The fittings are an integral part of the valve (when ordering, add (PEX) or (Cu) at the end of the catalog number).

For example: LUX2GS0219CFK(PEX).

LUX II ALL IN ONE



The fittings are an integral part of the valve.

LUX II ALL IN ONE thermostatic set, agular, ½”F x ½”M.

The set includes: 1 x LUX II thermostatic valve, 1 x LUX II shut-off valve, 1 x PRESTIGE or TUCAN thermostatic head, 2 x single masking rosettes, 2 x masking sleeves.

Colors with 1-7 days delivery time

No	Color	With PRESTIGE thermostatic head	With TUCAN thermostatic head
02	Chrome	ALUX2GS0202CFK	ALUX2GS10102CFK
05	Structural graphite	ALUX2GS0205CFK	ALUX2GS10105CFK
06	White	ALUX2GS0206CFK	ALUX2GS10106CFK
07	Anthracite / Glossy graphite	ALUX2GS0207CFK	ALUX2GS10107CFK
12	Metallic graphite	ALUX2GS0212CFK	ALUX2GS10112CFK
13	Glossy black	ALUX2GS0213CFK	ALUX2GS10113CFK
14	Structural black	ALUX2GS0214CFK	ALUX2GS10114CFK
15	Dark structural graphite	ALUX2GS0215CFK	ALUX2GS10115CFK
19	Structural white	ALUX2GS0219CFK	ALUX2GS10119CFK
21	Matt white	ALUX2GS0221CFK	ALUX2GS10121CFK
24	Matt black	ALUX2GS0224CFK	ALUX2GS10124CFK
26	Deep matt black	ALUX2GS0226CFK	ALUX2GS10126CFK

Colors with 4-6 weeks delivery time

No	Color	With PRESTIGE thermostatic head	With TUCAN thermostatic head
03	Satin	ALUX2GS0203CFK	ALUX2GS10103CFK
08	Nickel-grinded	ALUX2GS0208CFK	ALUX2GS10108CFK
11	Antique brass	ALUX2GS0211CFK	ALUX2GS10111CFK
29	Matt brass	ALUX2GS0229CFK	ALUX2GS10129CFK

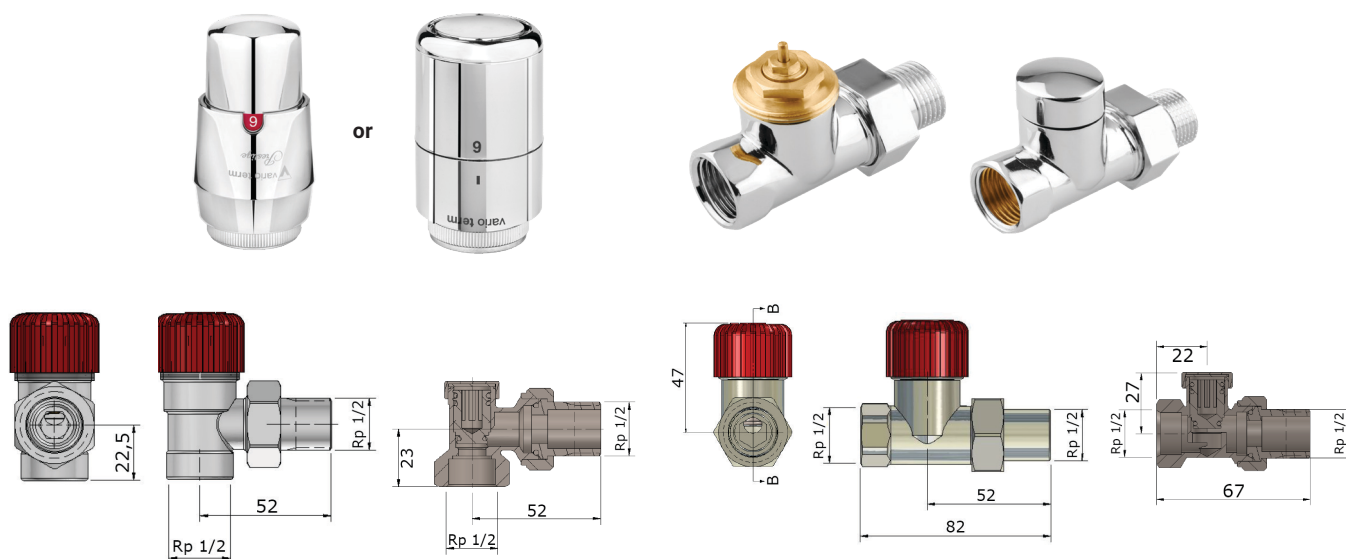
Optional for PEX connectors designed for valves with a compatible thread.

The fittings are an integral part of the valve (when ordering, add (PEX) or (Cu) at the end of the catalog number).

For example: ALUX2GS10112CFK(Cu).

EXCLUSIVE SETS - THERMOSTATIC

ROYAL



ROYAL thermostatic set, angular or straight, 1/2" F x 1/2" M.



The set includes: 1 x ROYAL thermostatic valve, 1 x ROYAL shut-off valve, 1 x PRESTIGE or TUCAN thermostatic head.

Colors with 1-7 days delivery time		With PRESTIGE thermostatic head		With TUCAN thermostatic head	
No	Color	Angular version	Straight version	Angular version	Straight version
02	Chrome	ROGS0202CFK	ROGS0202CFP	ROGS10102CFK	ROGS10102CFP
05	Structural graphite	ROGS0205CFK	ROGS0205CFP	ROGS10105CFK	ROGS10105CFP
06	White	ROGS0206CFK	ROGS0206CFP	ROGS10106CFK	ROGS10106CFP
07	Anthracite / Glossy graphite	ROGS0207CFK	ROGS0207CFP	ROGS10107CFK	ROGS10107CFP
12	Metallic graphite	ROGS0212CFK	ROGS0212CFP	ROGS10112CFK	ROGS10112CFP
13	Glossy black	ROGS0213CFK	ROGS0213CFP	ROGS10113CFK	ROGS10113CFP
14	Structural black	ROGS0214CFK	ROGS0214CFP	ROGS10114CFK	ROGS10114CFP
15	Dark structural graphite	ROGS0215CFK	ROGS0215CFP	ROGS10115CFK	ROGS10115CFP
19	Structural white	ROGS0219CFK	ROGS0219CFP	ROGS10119CFK	ROGS10119CFP
21	Matt white	ROGS0221CFK	ROGS0221CFP	ROGS10121CFK	ROGS10121CFP
24	Matt black	ROGS0224CFK	ROGS0224CFP	ROGS10124CFK	ROGS10124CFP
26	Deep matt black	ROGS0226CFK	ROGS0226CFP	ROGS10126CFK	ROGS10126CFP
Colors with 4-6 weeks delivery time		With PRESTIGE thermostatic head		With TUCAN thermostatic head	
No	Color	Angular version	Straight version	Angular version	Straight version
03	Satin	ROGS0203CFK	ROGS0203CFP	ROGS10103CFK	ROGS10103CFP
08	Nickel-grinded	ROGS0208CFK	ROGS0208CFP	ROGS10108CFK	ROGS10108CFP
11	Antique brass	ROGS0211CFK	ROGS0211CFP	ROGS10111CFK	ROGS10111CFP
29	Matt brass	ROGS0229CFK	ROGS0229CFP	ROGS10129CFK	ROGS10129CFP

There is an option to opt for PEX connectors designed for valves with a compatible thread.

When placing an order, kindly include (PEX) or (Cu) at the end of the catalog number.

For example: ROGS10114PFK(PEX).

Type	PEX (16x2)	Cu (15x1)
End of the catalog number	PEX	Cu
		

ROYAL ALL IN ONE



ROYAL ALL IN ONE thermostatic set, angular or straight, ½" F x ½" M.

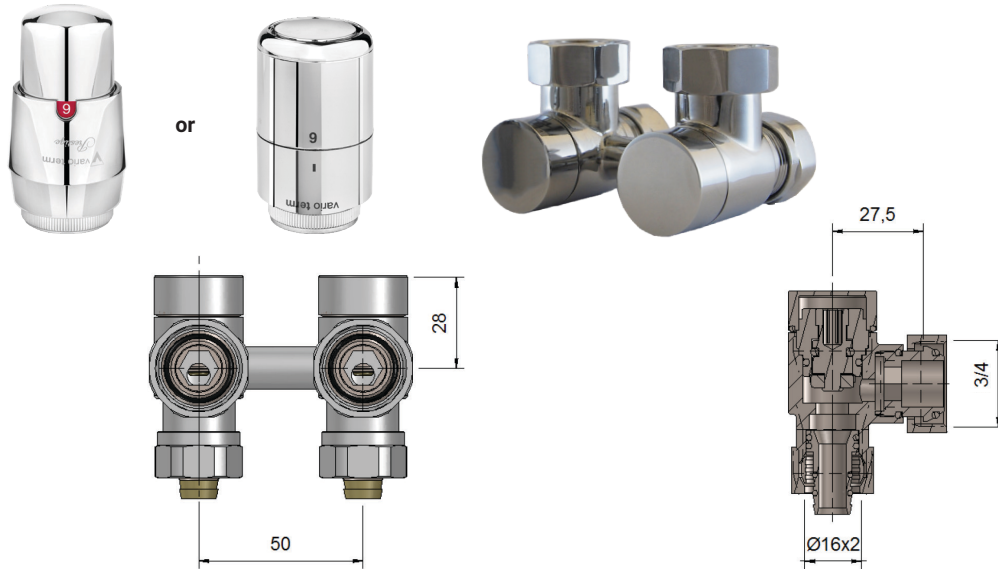
The set includes: 1 x ROYAL thermostatic valve, 1 x ROYAL shut-off valve, 1 x PRESTIGE or TUCAN thermostatic head, 2 x single masking rosettes, 2 x masking sleeves, 2 x PEX or Cu adapters.

Colors with 1-7 days delivery time		With PRESTIGE thermostatic head		With TUCAN thermostatic head	
No	Color	Angular version	Straight version	Angular version	Straight version
02	Chrome	AROGS0202CFK	AROGS0202CFP	AROGS10102CFK	AROGS10102CFP
05	Structural graphite	AROGS0205CFK	AROGS0205CFP	AROGS10105CFK	AROGS10105CFP
06	White	AROGS0206CFK	AROGS0206CFP	AROGS10106CFK	AROGS10106CFP
07	Anthracite / Glossy graphite	AROGS0207CFK	AROGS0207CFP	AROGS10107CFK	AROGS10107CFP
12	Metallic graphite	AROGS0212CFK	AROGS0212CFP	AROGS10112CFK	AROGS10112CFP
13	Glossy black	AROGS0213CFK	AROGS0213CFP	AROGS10113CFK	AROGS10113CFP
14	Structural black	AROGS0214CFK	AROGS0214CFP	AROGS10114CFK	AROGS10114CFP
15	Dark structural graphite	AROGS0215CFK	AROGS0215CFP	AROGS10115CFK	AROGS10115CFP
19	Structural white	AROGS0219CFK	AROGS0219CFP	AROGS10119CFK	AROGS10119CFP
21	Matt white	AROGS0221CFK	AROGS0221CFP	AROGS10121CFK	AROGS10121CFP
24	Matt black	AROGS0224CFK	AROGS0224CFP	AROGS10124CFK	AROGS10124CFP
26	Deep matt black	AROGS0226CFK	AROGS0226CFP	AROGS10126CFK	AROGS10126CFP
Colors with 4-6 weeks delivery time		With PRESTIGE thermostatic head		With TUCAN thermostatic head	
No	Color	Angular version	Straight version	Angular version	Straight version
03	Satin	AROGS0203CFK	AROGS0203CFP	AROGS10103CFK	AROGS10103CFP
08	Nickel-grinded	AROGS0208CFK	AROGS0208CFP	AROGS10108CFK	AROGS10108CFP
11	Antique brass	AROGS0211CFK	AROGS0211CFP	AROGS10111CFK	AROGS10111CFP
29	Matt brass	AROGS0229CFK	AROGS0229CFP	AROGS10129CFK	AROGS10129CFP

When ordering, add (PEX) or (Cu) at the end of the catalog number.

For example: AROGS0220CFK(PEX).

PREMIUM EXCLUSIVE



PREMIUM EXCLUSIVE thermostatic set, angular version, 3/4" F x M22x1.5 male.

The set includes: 1 x PREMIUM EXCLUSIVE thermostatic valve, 1 x PRESTIGE or TUCAN thermostatic head, 2 x PEX or Cu fittings.

Colors with 1-7 days delivery time		With PRESTIGE thermostatic head		With TUCAN thermostatic head	
No	Color	PEX	Cu	PEX	Cu
02	Chrome	PREGS0202C/FK(PEX)	PREGS0202C/FK(Cu)	PREGS10102C/FK(PEX)	PREGS10102C/FK(Cu)
05	Structural graphite	PREGS0205C/FK(PEX)	PREGS0205C/FK(Cu)	PREGS10105C/FK(PEX)	PREGS10105C/FK(Cu)
06	White	PREGS0206C/FK(PEX)	PREGS0206C/FK(Cu)	PREGS10106C/FK(PEX)	PREGS10106C/FK(Cu)
07	Anthracite / Glossy graphite	PREGS0207C/FK(PEX)	PREGS0207C/FK(Cu)	PREGS10107C/FK(PEX)	PREGS10107C/FK(Cu)
12	Metallic graphite	PREGS0212C/FK(PEX)	PREGS0212C/FK(Cu)	PREGS10112C/FK(PEX)	PREGS10112C/FK(Cu)
13	Glossy black	PREGS0213C/FK(PEX)	PREGS0213C/FK(Cu)	PREGS10113C/FK(PEX)	PREGS10113C/FK(Cu)
14	Structural black	PREGS0214C/FK(PEX)	PREGS0214C/FK(Cu)	PREGS10114C/FK(PEX)	PREGS10114C/FK(Cu)
15	Dark structural graphite	PREGS0215C/FK(PEX)	PREGS0215C/FK(Cu)	PREGS10115C/FK(PEX)	PREGS10115C/FK(Cu)
19	Structural white	PREGS0219C/FK(PEX)	PREGS0219C/FK(Cu)	PREGS10119C/FK(PEX)	PREGS10119C/FK(Cu)
21	Matt white	PREGS0221C/FK(PEX)	PREGS0221C/FK(Cu)	PREGS10121C/FK(PEX)	PREGS10121C/FK(Cu)
24	Matt black	PREGS0224C/FK(PEX)	PREGS0224C/FK(Cu)	PREGS10124C/FK(PEX)	PREGS10124C/FK(Cu)
26	Deep matt black	PREGS0226C/FK(PEX)	PREGS0226C/FK(Cu)	PREGS10126C/FK(PEX)	PREGS10126C/FK(Cu)
Colors with 4-6 weeks delivery time		With PRESTIGE thermostatic head		With TUCAN thermostatic head	
No	Color	PEX	Cu	PEX	Cu
03	Satin	PREGS0203C/FK(PEX)	PREGS0203C/FK(Cu)	PREGS10103C/FK(PEX)	PREGS10103C/FK(Cu)
08	Nickel-grinded	PREGS0208C/FK(PEX)	PREGS0208C/FK(Cu)	PREGS10108C/FK(PEX)	PREGS10108C/FK(Cu)
11	Antique brass	PREGS0211C/FK(PEX)	PREGS0211C/FK(Cu)	PREGS10111C/FK(PEX)	PREGS10111C/FK(Cu)
29	Matt brass	PREGS0229C/FK(PEX)	PREGS0229C/FK(Cu)	PREGS10129C/FK(PEX)	PREGS10129C/FK(Cu)

There is an option to opt for PEX connectors designed for valves with a compatible thread in the color of the valves.

When placing an order, kindly include PEX or Cu or GZ or GW at the end of the catalog number.

For example: PREGS10103C/FK(GW) for set with 1/2" F fittings.

Type	PEX (16x2)	Cu (15x1)	1/2" M	1/2" F
End of the catalog number	PEX	Cu	GZ	GW

It is possible to select reduction nipples 3/4" x 1/2" for the valves. For example: PRENYGS0214C/FK(Cu).

PREMIUM EXCLUSIVE ALL IN ONE



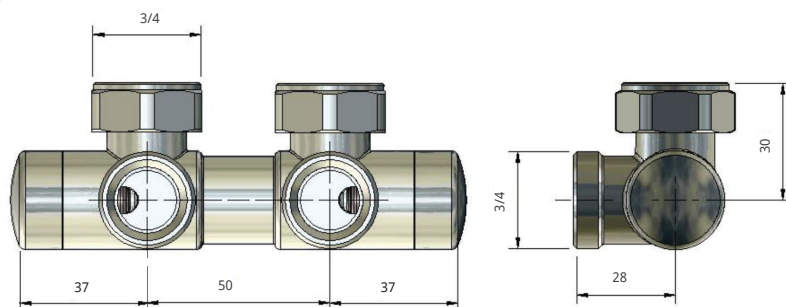
PREMIUM EXCLUSIVE ALL IN ONE thermostatic set, angular version, 3/4" F x M22x1.5 male.

The set includes: 1 x PREMIUM EXCLUSIVE thermostatic valve, 1 x PRESTIGE or TUCAN thermostatic head, 1 x double masking rosette, 2 x masking sleeves, 2 x adapters on PEX or Cu.

Colors with 1-7 days delivery time		With PRESTIGE thermostatic head		With TUCAN thermostatic head	
No	Color	PEX	Cu	PEX	Cu
02	Chrome	APREGS0202C/FK(PEX)	APREGS0202C/FK(Cu)	APREGS10102C/FK(PEX)	APREGS10102C/FK(Cu)
05	Structural graphite	APREGS0205C/FK(PEX)	APREGS0205C/FK(Cu)	APREGS10105C/FK(PEX)	APREGS10105C/FK(Cu)
06	White	APREGS0206C/FK(PEX)	APREGS0206C/FK(Cu)	APREGS10106C/FK(PEX)	APREGS10106C/FK(Cu)
07	Anthracite / Glossy graphite	APREGS0207C/FK(PEX)	APREGS0207C/FK(Cu)	APREGS10107C/FK(PEX)	APREGS10107C/FK(Cu)
12	Metallic graphite	APREGS0212C/FK(PEX)	APREGS0212C/FK(Cu)	APREGS10112C/FK(PEX)	APREGS10112C/FK(Cu)
13	Glossy black	APREGS0213C/FK(PEX)	APREGS0213C/FK(Cu)	APREGS10113C/FK(PEX)	APREGS10113C/FK(Cu)
14	Structural black	APREGS0214C/FK(PEX)	APREGS0214C/FK(Cu)	APREGS10114C/FK(PEX)	APREGS10114C/FK(Cu)
15	Dark structural graphite	APREGS0215C/FK(PEX)	APREGS0215C/FK(Cu)	APREGS10115C/FK(PEX)	APREGS10115C/FK(Cu)
19	Structural white	APREGS0219C/FK(PEX)	APREGS0219C/FK(Cu)	APREGS10119C/FK(PEX)	APREGS10119C/FK(Cu)
21	Matt white	APREGS0221C/FK(PEX)	APREGS0221C/FK(Cu)	APREGS10121C/FK(PEX)	APREGS10121C/FK(Cu)
24	Matt black	APREGS0224C/FK(PEX)	APREGS0224C/FK(Cu)	APREGS10124C/FK(PEX)	APREGS10124C/FK(Cu)
26	Deep matt black	APREGS0226C/FK(PEX)	APREGS0226C/FK(Cu)	APREGS10126C/FK(PEX)	APREGS10126C/FK(Cu)
Colors with 4-6 weeks delivery time		With APRESTIGE thermostatic head		With TUCAN thermostatic head	
No	Color	PEX	Cu	PEX	Cu
03	Satin	APREGS0203C/FK(PEX)	APREGS0203C/FK(Cu)	APREGS10103C/FK(PEX)	APREGS10103C/FK(Cu)
08	Nickel-grinded	APREGS0208C/FK(PEX)	APREGS0208C/FK(Cu)	APREGS10108C/FK(PEX)	APREGS10108C/FK(Cu)
11	Antique brass	APREGS0211C/FK(PEX)	APREGS0211C/FK(Cu)	APREGS10111C/FK(PEX)	APREGS10111C/FK(Cu)
29	Matt brass	APREGS0229C/FK(PEX)	APREGS0229C/FK(Cu)	APREGS10129C/FK(PEX)	APREGS10129C/FK(Cu)

It is possible to select reduction nipples 3/4" x 1/2" for the valves. For example: APRENYGS0214C/FK(Cu).

TWINS



TWINS shut-off valve, 3/4" M x 3/4" F (1/2" M), angular or straight version, spacing between connections 50 mm.

The set includes: 1 x TWINS shut-off valve, 2 x reduction nipples 3/4" x 1/2".

Colors with 1-7 days delivery time

No	Color	Angular version	Straight version
02	Chrome	000M874A002	000M882A002
05	Structural graphite	000M874A005	000M882A005
06	White	000M874A006	000M882A006
07	Anthracite / Glossy graphite	000M874A007	000M882A007
12	Metallic graphite	000M874A012	000M882A012
13	Glossy black	000M874A013	000M882A013
14	Structural black	000M874A014	000M882A014
15	Dark structural graphite	000M874A015	000M882A015
19	Structural white	000M874A019	000M882A019
21	Matt white	000M874A021	000M882A021
24	Matt black	000M874A024	000M882A024
26	Deep matt black	000M874A026	000M882A026

Colors with 4-6 weeks delivery time

No	Color	Angular version	Straight version
03	Satin	000M874A003	000M882A003
08	Nickel-grinded	000M874A008	000M882A008
11	Antique brass	000M874A011	000M882A011
29	Matt brass	000M874A029	000M882A029

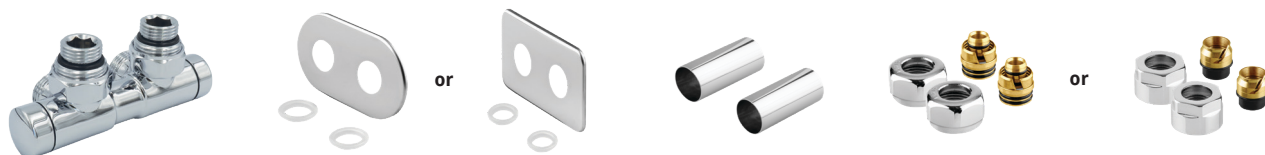
There is an option to opt for PEX connectors designed for valves with a compatible thread.

When placing an order, kindly include PEX or Cu or GZ at the end of the catalog number.

For example: 000M874A024(Cu).

Type	PEX (16x2)	Cu (15x1)	1/2" M
End of the catalog number	PEX	Cu	GZ

TWINS ALL IN ONE



TWINS ALL IN ONE shut-off valve, $\frac{3}{4}$ "M x $\frac{3}{4}$ "F ($\frac{1}{2}$ "M), angular or straight version, spacing between connections 50 mm.

The set includes: 1 x TWINS shut-off valve, 1 x double masking rosette, 2 x masking sleeves, 2 x adapters on PEX or Cu, 2 x reduction nipples $\frac{1}{2}$ " x $\frac{3}{4}$ ".

When ordering, add (PEX) or (Cu) at the end of the catalog number. For example: AP000M874A029/L(Cu).

Set with an oval rosette

Colors with 1-7 days delivery time:

No	Color	Angular version	Straight version
02	Chrome	A000M874A002	A000M882A002
05	Structural graphite	A000M874A005	A000M882A005
06	White	A000M874A006	A000M882A006
07	Anthracite / Glossy graphite	A000M874A007	A000M882A007
12	Metallic graphite	A000M874A012	A000M882A012
13	Glossy black	A000M874A013	A000M882A013
14	Structural black	A000M874A014	A000M882A014
15	Dark structural graphite	A000M874A015	A000M882A015
19	Structural white	A000M874A019	A000M882A019
21	Matt white	A000M874A021	A000M882A021
24	Matt black	A000M874A024	A000M882A024
26	Deep matt black	A000M874A026	A000M882A026

Colors with 4-6 weeks delivery time:

No	Color	Angular version	Straight version
03	Satin	A000M874A003	A000M882A003
08	Nickel-grinded	A000M874A008	A000M882A008
11	Antique brass	A000M874A011	A000M882A011
29	Matt brass	A000M874A029	A000M882A029

Set with a rectangular rosette

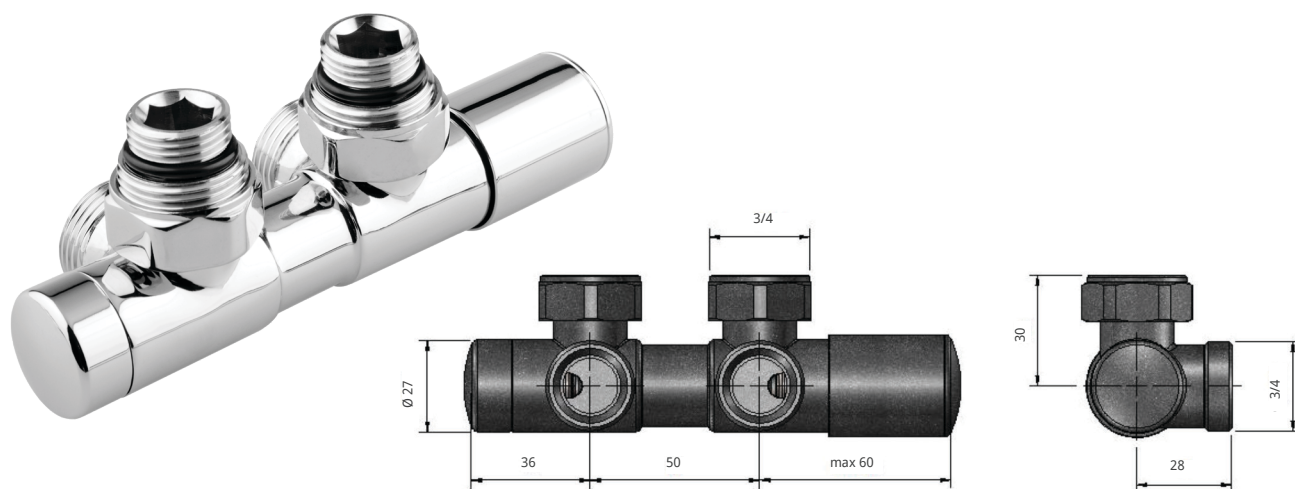
Colors with 1-7 days delivery time:

No	Color	Angular version	Straight version
02	Chrome	AP000M874A002	AP000M882A002
05	Structural graphite	AP000M874A005	AP000M882A005
06	White	AP000M874A006	AP000M882A006
07	Anthracite / Glossy graphite	AP000M874A007	AP000M882A007
12	Metallic graphite	AP000M874A012	AP000M882A012
13	Glossy black	AP000M874A013	AP000M882A013
14	Structural black	AP000M874A014	AP000M882A014
15	Dark structural graphite	AP000M874A015	AP000M882A015
19	Structural white	AP000M874A019	AP000M882A019
21	Matt white	AP000M874A021	AP000M882A021
24	Matt black	AP000M874A024	AP000M882A024
26	Deep matt black	AP000M874A026	AP000M882A026

Colors with 4-6 weeks delivery time:

No	Color	Angular version	Straight version
03	Satin	AP000M874A003	AP000M882A003
08	Nickel-grinded	AP000M874A008	AP000M882A008
11	Antique brass	AP000M874A011	AP000M882A011
29	Matt brass	AP000M874A029	AP000M882A029

TWINS



TWINS regulating set, angular right or left version, or straight version, 3/4" M x 3/4" F (1/2" M), spacing between connections 50 mm.

The set includes: 1 x TWINS regulating valve, 2 x reduction nipples 3/4" x 1/2".

Correct installation of TWINS valves: the return is on the side of the control knob.

Colors with 1-7 days delivery time

No	Color	Angular left version	Angular right version	Straight version
02	Chrome	000M873A002/L	000M873A002/P	000M881A002
05	Structural graphite	000M873A005/L	000M873A005/P	000M881A005
06	White	000M873A006/L	000M873A006/P	000M881A006
07	Anthracite / Glossy graphite	000M873A007/L	000M873A007/P	000M881A007
12	Metallic graphite	000M873A012/L	000M873A012/P	000M881A012
13	Glossy black	000M873A013/L	000M873A013/P	000M881A013
14	Structural black	000M873A014/L	000M873A014/P	000M881A014
15	Dark structural graphite	000M873A015/L	000M873A015/P	000M881A015
19	Structural white	000M873A019/L	000M873A019/P	000M881A019
21	Matt white	000M873A021/L	000M873A021/P	000M881A021
24	Matt black	000M873A024/L	000M873A024/P	000M881A024
26	Deep matt black	000M873A026/L	000M873A026/P	000M881A026




Colors with 4-6 weeks delivery time

No	Color	Angular left version	Angular right version	Straight version
03	Satin	000M873A003/L	000M873A003/P	000M881A003
08	Nickel-grinded	000M873A008/L	000M873A008/P	000M881A008
11	Antique brass	000M873A011/L	000M873A011/P	000M881A011
29	Matt brass	000M873A029/L	000M873A029/P	000M881A029

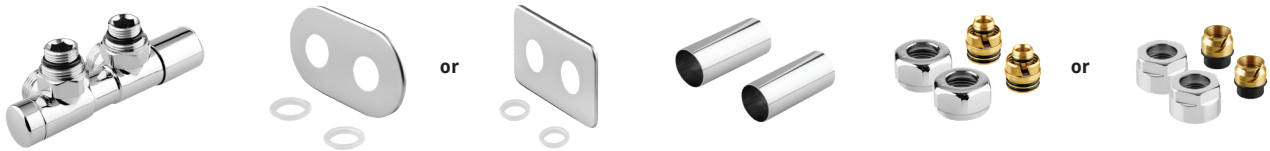
There is an option to opt for PEX connectors designed for valves with a compatible thread.

When placing an order, kindly include PEX or Cu or GZ at the end of the catalog number.

For example: 000M873A009/L(PEX).

Type	PEX (16x2)	Cu (15x1)	1/2" M
End of the catalog number	PEX	Cu	GZ
			

TWINS ALL IN ONE



TWINS ALL IN ONE regulating set, angular right or left, or straight version, ¾" M x ¾" F (½" M), spacing between connections 50 mm.

The set includes: 1 x TWINS regulating valve, 1 x double masking rosette, 2 x masking sleeves, 2 x adapters on PEX or Cu, 2 x reduction nipples ½" x ¾".

When ordering, add (PEX) or (Cu) at the end of the catalog number. For example: A000M873A003/L(Cu).

Set with an oval rosette

Colors with 1-7 days delivery time

No	Color	Angular left version	Angular right version	Straight version
02	Chrome	A000M873A002/L	A000M873A002/P	A000M881A002
05	Structural graphite	A000M873A005/L	A000M873A005/P	A000M881A005
06	White	A000M873A006/L	A000M873A006/P	A000M881A006
07	Anthracite / Glossy graphite	A000M873A007/L	A000M873A007/P	A000M881A007
12	Metallic graphite	A000M873A012/L	A000M873A012/P	A000M881A012
13	Glossy black	A000M873A013/L	A000M873A013/P	A000M881A013
14	Structural black	A000M873A014/L	A000M873A014/P	A000M881A014
15	Dark structural graphite	A000M873A015/L	A000M873A015/P	A000M881A015
19	Structural white	A000M873A019/L	A000M873A019/P	A000M881A019
21	Matt white	A000M873A021/L	A000M873A021/P	A000M881A021
24	Matt black	A000M873A024/L	A000M873A024/P	A000M881A024
26	Deep matt black	A000M873A026/L	A000M873A026/P	A000M881A026

Colors with 4-6 weeks delivery time

No	Color	Angular left version	Angular right version	Straight version
03	Satin	A000M873A003/L	A000M873A003/P	A000M881A003
08	Nickel-grinded	A000M873A008/L	A000M873A008/P	A000M881A008
11	Antique brass	A000M873A011/L	A000M873A011/P	A000M881A011
29	Matt brass	A000M873A029/L	A000M873A029/P	A000M881A029

Set with a rectangular rosette

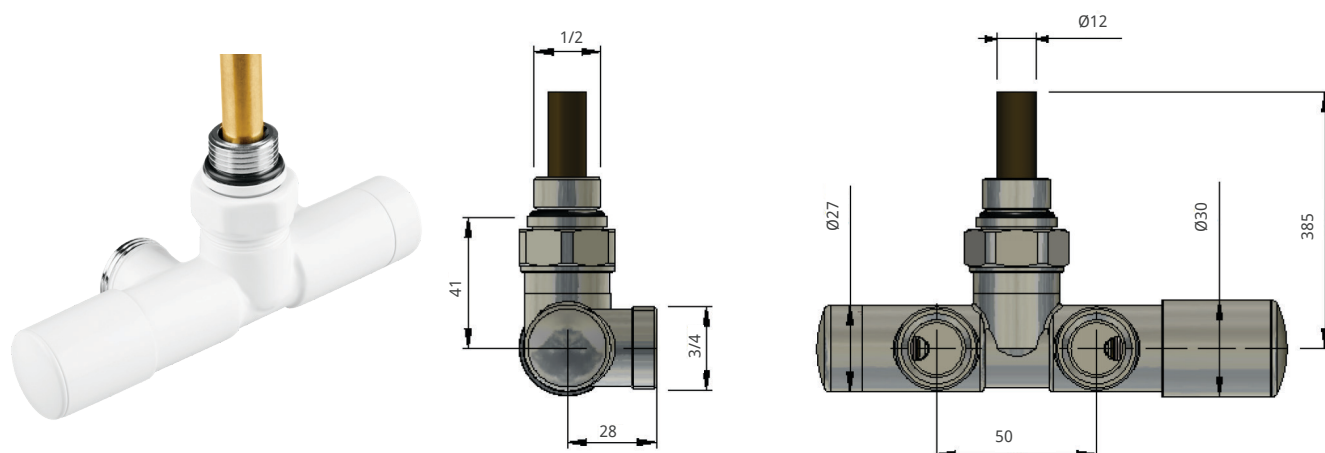
Colors with 1-7 days delivery time

No	Color	Angular left version	Angular right version	Straight version
02	Chrome	AP000M873A002/L	AP000M873A002/P	AP000M881A002
05	Structural graphite	AP000M873A005/L	AP000M873A005/P	AP000M881A005
06	White	AP000M873A006/L	AP000M873A006/P	AP000M881A006
07	Anthracite / Glossy graphite	AP000M873A007/L	AP000M873A007/P	AP000M881A007
12	Metallic graphite	AP000M873A012/L	AP000M873A012/P	AP000M881A012
13	Glossy black	AP000M873A013/L	AP000M873A013/P	AP000M881A013
14	Structural black	AP000M873A014/L	AP000M873A014/P	AP000M881A014
15	Dark structural graphite	AP000M873A015/L	AP000M873A015/P	AP000M881A015
19	Structural white	AP000M873A019/L	AP000M873A019/P	AP000M881A019
21	Matt white	AP000M873A021/L	AP000M873A021/P	AP000M881A021
24	Matt black	AP000M873A024/L	AP000M873A024/P	AP000M881A024
26	Deep matt black	AP000M873A026/L	AP000M873A026/P	AP000M881A026

Colors with 4-6 weeks delivery time

No	Color	Angular left version	Angular right version	Straight version
03	Satin	AP000M873A003/L	AP000M873A003/P	AP000M881A003
08	Nickel-grinded	AP000M873A008/L	AP000M873A008/P	AP000M881A008
11	Antique brass	AP000M873A011/L	AP000M873A011/P	AP000M881A011
29	Matt brass	AP000M873A029/L	AP000M873A029/P	AP000M881A029

UNICO



UNICO regulating set, right or left, 3/4" M x 1/2" M, connection distance 50 mm. It is possible to connect an electric heater in the second bottom port of the radiator.

The set includes: 1 x UNICO regulating connection, 1 x immersion tube, 1 x mounting fitting.

Correct installation of UNICO valves: the return is on the side of the control knob.

Colors with 1-7 days delivery time

No	Color	Left version	Right version
02	Chrome	000M875A002/L	000M875A002/P
05	Structural graphite	000M875A005/L	000M875A005/P
06	White	000M875A006/L	000M875A006/P
07	Anthracite / Glossy graphite	000M875A007/L	000M875A007/P
12	Metallic graphite	000M875A012/L	000M875A012/P
13	Glossy black	000M875A013/L	000M875A013/P
14	Structural black	000M875A014/L	000M875A014/P
15	Dark structural graphite	000M875A015/L	000M875A015/P
19	Structural white	000M875A019/L	000M875A019/P
21	Matt white	000M875A021/L	000M875A021/P
24	Matt black	000M875A024/L	000M875A024/P
26	Deep matt black	000M875A026/L	000M875A026/P

Colors with 4-6 weeks delivery time

No	Color	Left version	Right version
03	Satin	000M875A003/L	000M875A003/P
08	Nickel-grinded	000M875A008/L	000M875A008/P
11	Antique brass	000M875A011/L	000M875A011/P
29	Matt brass	000M875A029/L	000M875A029/P

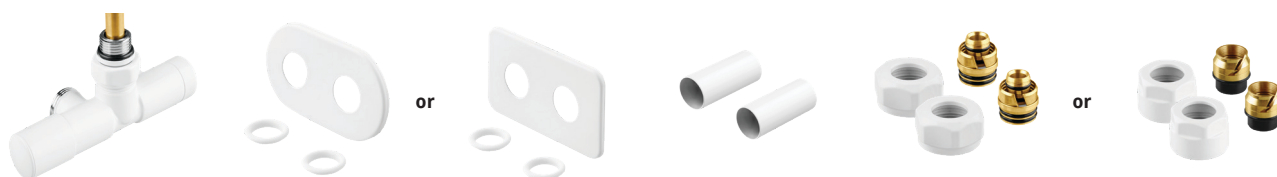
There is an option to opt for PEX connectors designed for valves with a compatible thread.

When placing an order, kindly include PEX or Cu or GZ at the end of the catalog number.

For example: 000M875A015/L(PEX).

Type	PEX (16x2)	Cu (15x1)	1/2" M
End of the catalog number	PEX	Cu	GZ

UNICO ALL IN ONE



UNICO ALL IN ONE regulating set, right or left, $\frac{3}{4}$ "M x $\frac{1}{2}$ "M, connection distance 50 mm. It is possible to connect an electric heater in the second bottom port of the radiator.

The set includes: 1 x UNICO regulating connection, 1 x immersion tube, 1 x mounting fitting, 1 x double masking rosette, 2 x masking sleeves, 2 x adapters on PEX or Cu.

When ordering, add (PEX) or (Cu) at the end of the catalog number. For example: A000M875A008/L(PEX).

Set with an oval rosette

Colors with 1-7 days delivery time

No	Color	Left version	Right version
02	Chrome	A000M875A002/L	A000M875A002/P
05	Structural graphite	A000M875A005/L	A000M875A005/P
06	White	A000M875A006/L	A000M875A006/P
07	Anthracite / Glossy graphite	A000M875A007/L	A000M875A007/P
12	Metallic graphite	A000M875A012/L	A000M875A012/P
13	Glossy black	A000M875A013/L	A000M875A013/P
14	Structural black	A000M875A014/L	A000M875A014/P
15	Dark structural graphite	A000M875A015/L	A000M875A015/P
19	Structural white	A000M875A019/L	A000M875A019/P
21	Matt white	A000M875A021/L	A000M875A021/P
24	Matt black	A000M875A024/L	A000M875A024/P
26	Deep matt black	A000M875A026/L	A000M875A026/P

Colors with 4-6 weeks delivery time

No	Color	Left version	Right version
03	Satin	A000M875A003/L	A000M875A003/P
08	Nickel-grinded	A000M875A008/L	A000M875A008/P
11	Antique brass	A000M875A011/L	A000M875A011/P
29	Matt brass	A000M875A029/L	A000M875A029/P

Set with a rectangular rosette

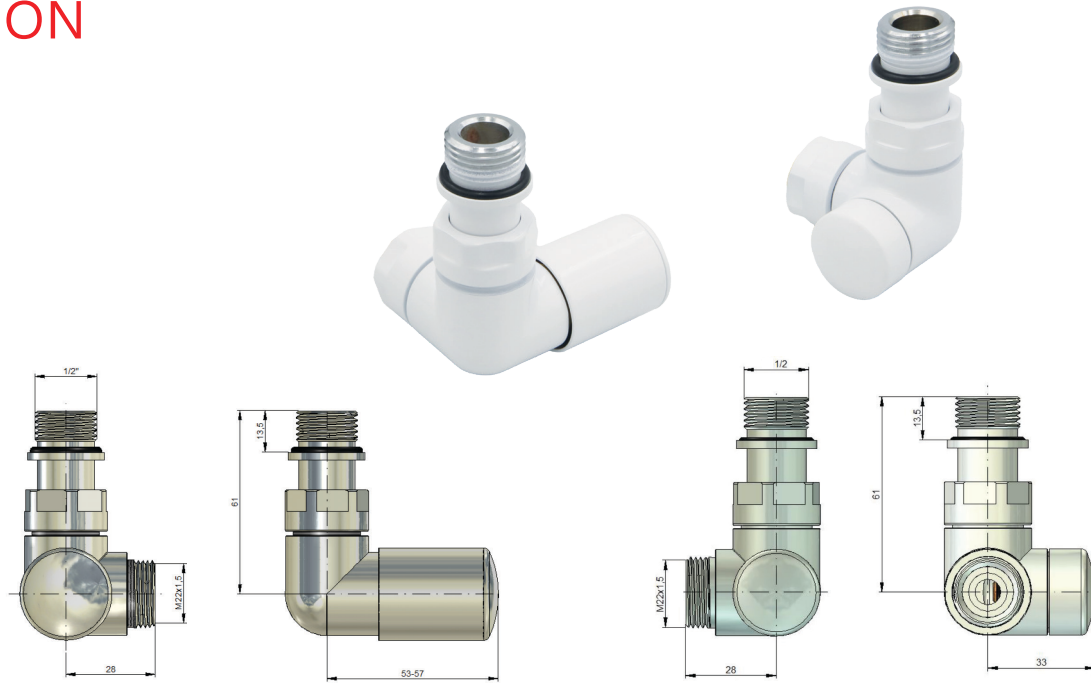
Colors with 1-7 days delivery time

No	Color	Left version	Right version
02	Chrome	AP000M875A002/L	AP000M875A002/P
05	Structural graphite	AP000M875A005/L	AP000M875A005/P
06	White	AP000M875A006/L	AP000M875A006/P
07	Anthracite / Glossy graphite	AP000M875A007/L	AP000M875A007/P
12	Metallic graphite	AP000M875A012/L	AP000M875A012/P
13	Glossy black	AP000M875A013/L	AP000M875A013/P
14	Structural black	AP000M875A014/L	AP000M875A014/P
15	Dark structural graphite	AP000M875A015/L	AP000M875A015/P
19	Structural white	AP000M875A019/L	AP000M875A019/P
21	Matt white	AP000M875A021/L	AP000M875A021/P
24	Matt black	AP000M875A024/L	AP000M875A024/P
26	Deep matt black	AP000M875A026/L	AP000M875A026/P

Colors with 4-6 weeks delivery time

No	Color	Left version	Right version
03	Satin	AP000M875A003/L	AP000M875A003/P
08	Nickel-grinded	AP000M875A008/L	AP000M875A008/P
11	Antique brass	AP000M875A011/L	AP000M875A011/P
29	Matt brass	AP000M875A029/L	AP000M875A029/P

VISION



VISION regulating set, axial left or right, 1/2" male / M22x1,5 male.

The set includes: 1 x VISION regulating valve, 1 x VISION shut-off valve.

Colors with 1-7 days delivery time

No	Color	Right version	Left version
02	Chrome	VIR02P	VIR02L
05	Structural graphite	VIR05P	VIR05L
06	White	VIR06P	VIR06L
07	Anthracite / Glossy graphite	VIR07P	VIR07L
12	Metallic graphite	VIR12P	VIR12L
13	Glossy black	VIR13P	VIR13L
14	Structural black	VIR14P	VIR14L
15	Dark structural graphite	VIR15P	VIR15L
19	Structural white	VIR19P	VIR19L
21	Matt white	VIR21P	VIR21L
24	Matt black	VIR24P	VIR24L
26	Deep matt black	VIR26P	VIR26L

Colors with 4-6 weeks delivery time

No	Color	Right version	Left version
03	Satin	VIR03P	VIR03L
08	Nickel-grinded	VIR08P	VIR08L
11	Antique brass	VIR11P	VIR11L
29	Matt brass	VIR29P	VIR29L

There is an option to opt for PEX connectors designed for valves with a compatible thread.
When placing an order, kindly include PEX or Cu or GZ or GW at the end of the catalog number.
For example: VIR19L(PEX).

Type	PEX (16x2)	Cu (15x1)	1/2" M	1/2" F
End of the catalog number	PEX	Cu	GZ	GW

VISION ALL IN ONE



VISION ALL IN ONE regulating set, axial left or right, ½" male / M22x1,5 male.

The set includes: 1 x VISION regulating valve, 1 x VISION shut-off valve, 2 x single masking rosettes, 2 x masking sleeves, 2 x PEX or Cu adapters.

Colors with 1-7 days delivery time

No	Color	Right version	Left version
02	Chrome	AVIR02P	AVIR02L
05	Structural graphite	AVIR05P	AVIR05L
06	White	AVIR06P	AVIR06L
07	Anthracite / Glossy graphite	AVIR07P	AVIR07L
12	Metallic graphite	AVIR12P	AVIR12L
13	Glossy black	AVIR13P	AVIR13L
14	Structural black	AVIR14P	AVIR14L
15	Dark structural graphite	AVIR15P	AVIR15L
19	Structural white	AVIR19P	AVIR19L
21	Matt white	AVIR21P	AVIR21L
24	Matt black	AVIR24P	AVIR24L
26	Deep matt black	AVIR26P	AVIR26L

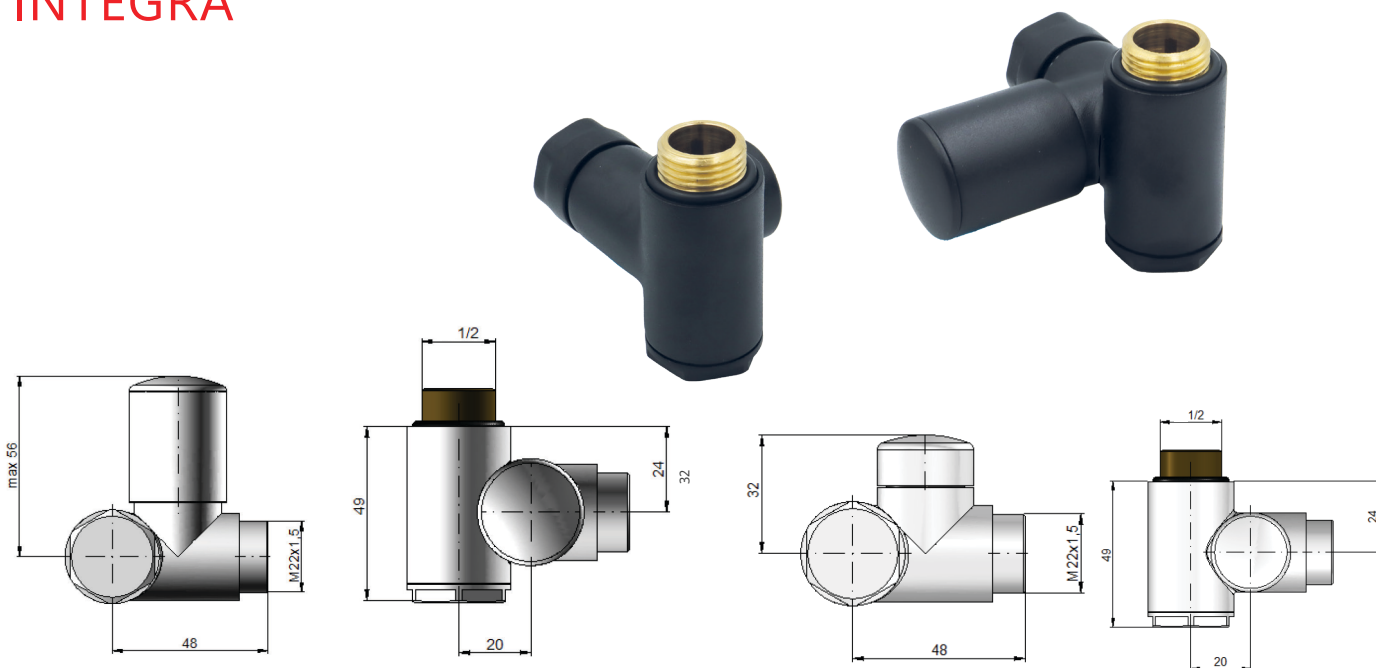
Colors with 4-6 weeks delivery time

No	Color	Right version	Left version
03	Satin	AVIR03P	AVIR03L
08	Nickel-grinded	AVIR08P	AVIR08L
11	Antique brass	AVIR11P	AVIR11L
29	Matt brass	AVIR29P	AVIR29L

When ordering, add (PEX) or (Cu) at the end of the catalog number.

For example: AVIR06CFK/L(PEX).

INTEGRA



INTEGRA regulating set, left or right, 1/2" male / M22x1,5 male.

The set includes: INTEGRA control valve, INTEGRA shut-off valve.

The valve body is integrated with the T-piece, enabling the connection of an electric heater to the radiator.

Colors with 1-7 days delivery time

No	Color	Left version	Right version
02	Chrome	IR02FK/L	IR02FK/P
05	Structural graphite	IR05FK/L	IR05FK/P
06	White	IR06FK/L	IR06FK/P
07	Anthracite / Glossy graphite	IR07FK/L	IR07FK/P
12	Metallic graphite	IR12FK/L	IR12FK/P
13	Glossy black	IR13FK/L	IR13FK/P
14	Structural black	IR14FK/L	IR14FK/P
15	Dark structural graphite	IR15FK/L	IR15FK/P
19	Structural white	IR19FK/L	IR19FK/P
21	Matt white	IR21FK/L	IR21FK/P
24	Matt black	IR24FK/L	IR24FK/P
26	Deep matt black	IR26FK/L	IR26FK/P

Colors with 4-6 weeks delivery time

No	Color	Left version	Right version
03	Satin	IR03FK/L	IR03FK/P
08	Nickel-grinded	IR08FK/L	IR08FK/P
11	Antique brass	IR11FK/L	IR11FK/P
29	Matt brass	IR29FK/L	IR29FK/P

There is an option to opt for PEX connectors designed for valves with a compatible thread. When placing an order, kindly include PEX or Cu or GZ or GW at the end of the catalog number. For example: IR24CFK/L(PEX).

Type	PEX (16x2)	Cu (15x1)	1/2" M	1/2" F
End of the catalog number	PEX	Cu	GZ	GW

INTEGRA ALL IN ONE



INTEGRA ALL IN ONE regulating set, left or right, ½" male / M22x1,5 male.

The set includes: 1 x INTEGRA control valve, 1 x INTEGRA shut-off valve, 2 x single masking rosettes, 2 x masking sleeves, 2 x PEX or Cu adapters.

The valve body is integrated with the T-piece, enabling the connection of an electric heater to the radiator.

Colors with 1-7 days delivery time

No	Color	Left version	Right version
02	Chrome	AIR02FK/L	AIR02FK/P
05	Structural graphite	AIR05FK/L	AIR05FK/P
06	White	AIR06FK/L	AIR06FK/P
07	Anthracite / Glossy graphite	AIR07FK/L	AIR07FK/P
12	Metallic graphite	AIR12FK/L	AIR12FK/P
13	Glossy black	AIR13FK/L	AIR13FK/P
14	Structural black	AIR14FK/L	AIR14FK/P
15	Dark structural graphite	AIR15FK/L	AIR15FK/P
19	Structural white	AIR19FK/L	AIR19FK/P
21	Matt white	AIR21FK/L	AIR21FK/P
24	Matt black	AIR24FK/L	AIR24FK/P
26	Deep matt black	AIR26FK/L	AIR26FK/P

Colors with 4-6 weeks delivery time

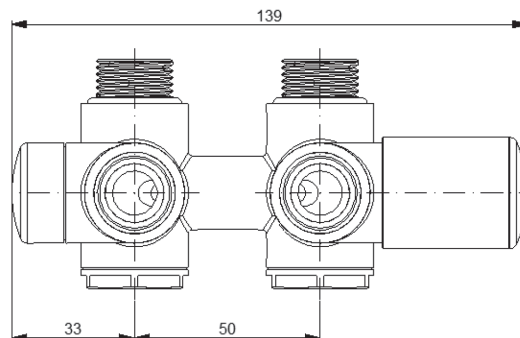
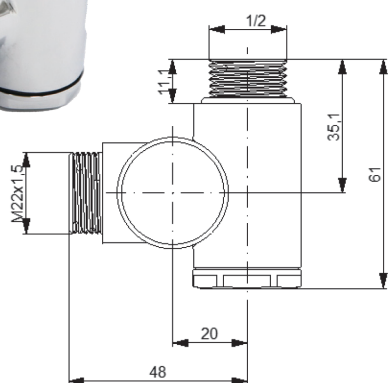
No	Color	Left version	Right version
03	Satin	AIR03FK/L	AIR03FK/P
08	Nickel-grinded	AIR08FK/L	AIR08FK/P
11	Antique brass	AIR11FK/L	AIR11FK/P
29	Matt brass	AIR29FK/L	AIR29FK/P

When ordering, add (PEX) or (Cu) at the end of the catalog number.

For example: AIR29CFK/P(Cu).

INTEGRA DUO

New



INTEGRA DUO regulating set, left or right, 1/2" male / M22x1,5 male.

The set includes: INTEGRA connection valve.

The valve body is integrated with the T-piece, enabling the connection of an electric heater to the radiator.

Colors with 1-7 days delivery time

No	Color	Left version	Right version
02	Chrome	000M884A002L	000M884A002P
05	Structural graphite	000M884A005L	000M884A005P
06	White	000M884A006L	000M884A006P
07	Anthracite / Glossy graphite	000M884A007L	000M884A007P
12	Metallic graphite	000M884A012L	000M884A012P
13	Glossy black	000M884A013L	000M884A013P
14	Structural black	000M884A014L	000M884A014P
15	Dark structural graphite	000M884A015L	000M884A015P
19	Structural white	000M884A019L	000M884A019P
21	Matt white	000M884A021L	000M884A021P
24	Matt black	000M884A024L	000M884A024P
26	Deep matt black	000M884A026L	000M884A026P

Colors with 4-6 weeks delivery time

No	Color	Left version	Right version
03	Satin	000M884A003L	000M884A003P
08	Nickel-grinded	000M884A008L	000M884A008P
11	Antique brass	000M884A011L	000M884A011P
29	Matt brass	000M884A029L	000M884A029P

There is an option to opt for PEX connectors designed for valves with a compatible thread. When placing an order, kindly include PEX or Cu or GZ or GW at the end of the catalog number. For example: 000M884A019P(PEX).

Type	PEX (16x2)	Cu (15x1)	1/2" M	1/2" F
End of the catalog number	PEX	Cu	GZ	GW

INTEGRA DUO ALL IN ONE



INTEGRA DUO ALL IN ONE regulating set, left or right, ½" male / M22x1,5 male.

The set includes: 1 x INTEGRA DUO connection valve, 1 x double masking rosette, 2 x masking sleeves, 2 x PEX or Cu adapters.

The valve body is integrated with the T-piece, enabling the connection of an electric heater to the radiator.

Colors with 1-7 days delivery time

No	Color	Left version	Right version
02	Chrome	A000M884A002L	A000M884A002P
05	Structural graphite	A000M884A005L	A000M884A005P
06	White	A000M884A006L	A000M884A006P
07	Anthracite / Glossy graphite	A000M884A007L	A000M884A007P
12	Metallic graphite	A000M884A012L	A000M884A012P
13	Glossy black	A000M884A013L	A000M884A013P
14	Structural black	A000M884A014L	A000M884A014P
15	Dark structural graphite	A000M884A015L	A000M884A015P
19	Structural white	A000M884A019L	A000M884A019P
21	Matt white	A000M884A021L	A000M884A021P
24	Matt black	A000M884A024L	A000M884A024P
26	Deep matt black	A000M884A026L	A000M884A026P

Colors with 4-6 weeks delivery time

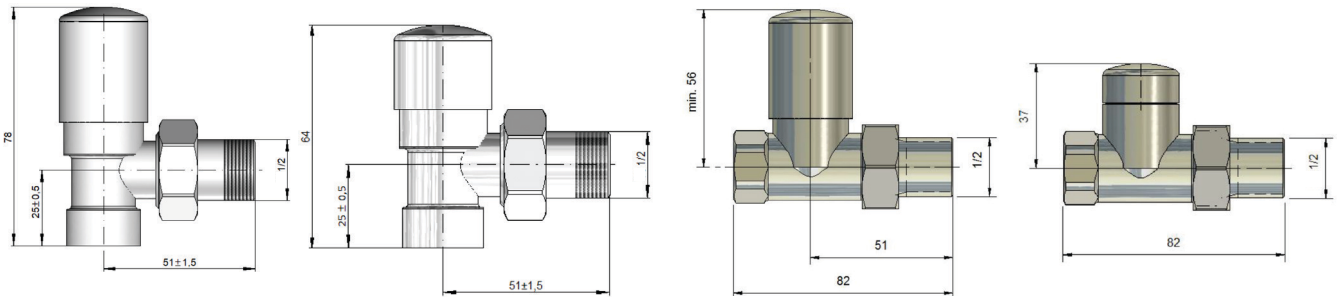
No	Color	Left version	Right version
03	Satin	A000M884A003L	A000M884A003P
08	Nickel-grinded	A000M884A008L	A000M884A008P
11	Antique brass	A000M884A011L	A000M884A011P
29	Matt brass	A000M884A029L	A000M884A029P

When ordering, add (PEX) or (Cu) at the end of the catalog number.

For example: A000M884A013L(Cu).

EXCLUSIVE SETS - REGULATING

SWING



SWING regulating set, angular or straight version, 1/2" F x 1/2" M.

The set includes: 1 x SWING control valve, 1 x SWING shut-off valve.

Colors with **1-7 days** delivery time

No	Color	Angular version	Straight version
02	Chrome	ZIS02/FK	ZIS02/FP
05	Structural graphite	ZIS05/FK	ZIS05/FP
06	White	ZIS06/FK	ZIS06/FP
07	Anthracite / Glossy graphite	ZIS07/FK	ZIS07/FP
12	Metallic graphite	ZIS12/FK	ZIS12/FP
13	Glossy black	ZIS13/FK	ZIS13/FP
14	Structural black	ZIS14/FK	ZIS14/FP
15	Dark structural graphite	ZIS15/FK	ZIS15/FP
19	Structural white	ZIS19/FK	ZIS19/FP
21	Matt white	ZIS21/FK	ZIS21/FP
24	Matt black	ZIS24/FK	ZIS24/FP
26	Deep matt black	ZIS26/FK	ZIS26/FP

Colors with **4-6 weeks** delivery time

No	Color	Angular version	Straight version
03	Satin	ZIS03/FK	ZIS03/FP
08	Nickel-grinded	ZIS08/FK	ZIS08/FP
11	Antique brass	ZIS11/FK	ZIS11/FP
29	Matt brass	ZIS29/FK	ZIS29/FP

There is an option to opt for PEX connectors designed for valves with a compatible thread.

When placing an order, kindly include (PEX) or (Cu) at the end of the catalog number.

For example: ZIS11/FK(Cu).

Type	PEX (16x2)	Cu (15x1)
End of the catalog number	PEX	Cu
		

SWING ALL IN ONE



SWING ALL IN ONE regulating set, angular or straight version, ½" F x ½" M.

The set includes: 1 x SWING control valve, 1 x SWING shut-off valve, 2 x single masking rosettes, 2 x masking sleeves, 2 x PEX or Cu adapters.

Colors with 1-7 days delivery time

No	Color	Angular version	Straight version
02	Chrome	AZIS02/FK	AZIS02/FP
05	Structural graphite	AZIS05/FK	AZIS05/FP
06	White	AZIS06/FK	AZIS06/FP
07	Anthracite / Glossy graphite	AZIS07/FK	AZIS07/FP
12	Metallic graphite	AZIS12/FK	AZIS12/FP
13	Glossy black	AZIS13/FK	AZIS13/FP
14	Structural black	AZIS14/FK	AZIS14/FP
15	Dark structural graphite	AZIS15/FK	AZIS15/FP
19	Structural white	AZIS19/FK	AZIS19/FP
21	Matt white	AZIS21/FK	AZIS21/FP
24	Matt black	AZIS24/FK	AZIS24/FP
26	Deep matt black	AZIS26/FK	AZIS26/FP

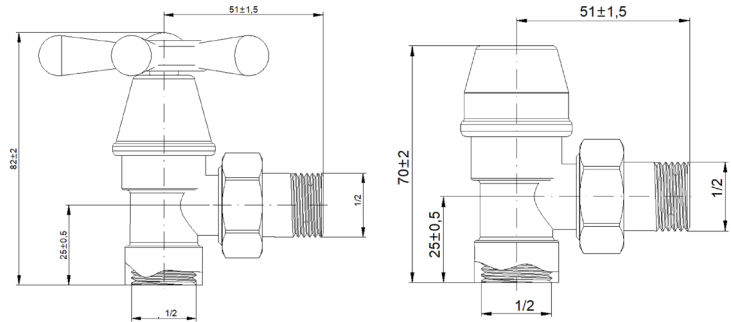
Colors with 4-6 weeks delivery time

No	Color	Angular version	Straight version
03	Satin	AZIS03/FK	AZIS03/FP
08	Nickel-grinded	AZIS08/FK	AZIS08/FP
11	Antique brass	AZIS11/FK	AZIS11/FP
29	Matt brass	AZIS29/FK	AZIS29/FP

When ordering, add (PEX) or (Cu) at the end of the catalog number.

For example: AZIS02/FK(Cu).

OLD STAR



OLD STAR regulating set, angular version, 1/2" F x 1/2" M.

The set includes: 1 x OLD STAR control valve, 1 x OLD STAR shut-off valve.

Colors with 1-7 days delivery time

No	Color	Angular version
02	Chrome	ZIOS02/FK
05	Structural graphite	ZIOS05/FK
06	White	ZIOS06/FK
07	Anthracite / Glossy graphite	ZIOS07/FK
12	Metallic graphite	ZIOS12/FK
13	Glossy black	ZIOS13/FK
14	Structural black	ZIOS14/FK
15	Dark structural graphite	ZIOS15/FK
19	Structural white	ZIOS19/FK
21	Matt white	ZIOS21/FK
24	Matt black	ZIOS24/FK
26	Deep matt black	ZIOS26/FK

Colors with 4-6 weeks delivery time

No	Color	Angular version
03	Satin	ZIOS03/FK
08	Nickel-grinded	ZIOS08/FK
11	Antique brass	ZIOS11/FK
29	Matt brass	ZIOS29/FK

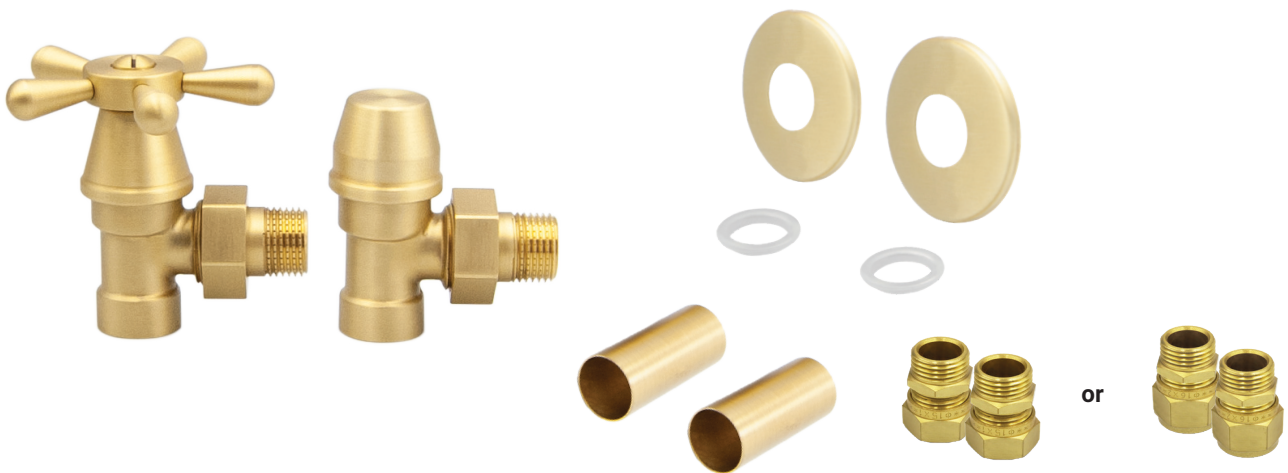
There is an option to opt for PEX connectors designed for valves with a compatible thread.

When placing an order, kindly include (PEX) or (Cu) at the end of the catalog number.

For example: ZIOS15/FK(Cu).

Type	PEX (16x2)	Cu (15x1)
End of the catalog number	PEX	Cu

OLD STAR ALL IN ONE



OLD STAR ALL IN ONE regulating set, angular version, ½"F x ½"M.

The set includes: 1 x OLD STAR control valve, 1 x OLD STAR shut-off valve, 2 x single masking rosettes, 2 x masking sleeves, 2 x PEX or Cu adapters.

Colors with 1-7 days delivery time

No	Color	Angular version
02	Chrome	AZIOS02/FK
05	Structural graphite	AZIOS05/FK
06	White	AZIOS06/FK
07	Anthracite / Glossy graphite	AZIOS07/FK
12	Metallic graphite	AZIOS12/FK
13	Glossy black	AZIOS13/FK
14	Structural black	AZIOS14/FK
15	Dark structural graphite	AZIOS15/FK
19	Structural white	AZIOS19/FK
21	Matt white	AZIOS21/FK
24	Matt black	AZIOS24/FK
26	Deep matt black	AZIOS26/FK

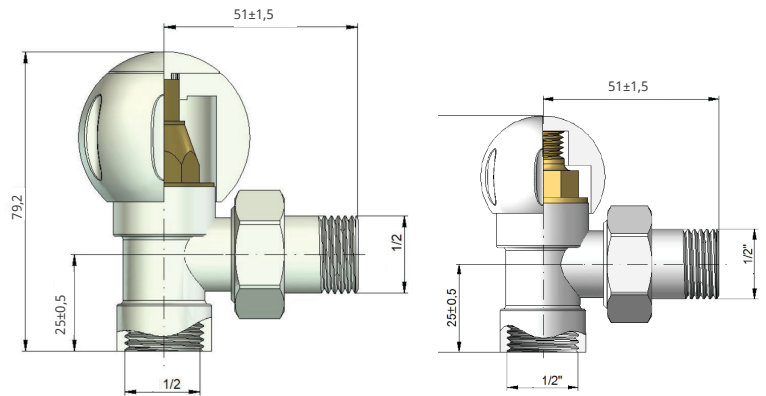
Colors with 4-6 weeks delivery time

No	Color	Angular version
03	Satin	AZIOS03/FK
08	Nickel-grinded	AZIOS08/FK
11	Antique brass	AZIOS11/FK
29	Matt brass	AZIOS29/FK

When ordering, add (PEX) or (Cu) at the end of the catalog number.

For example: AZIOS19/FK(PEX).

BALL



BALL installation set, angular, 1/2" F x 1/2" M. For retro radiators.

The set includes: 1 x BALL control valve, 1 x BALL shut-off valve.

Colors with **1-7 days** delivery time

No	Color	Angular version
02	Chrome	ZIB02/FK
05	Structural graphite	ZIB05/FK
06	White	ZIB06/FK
07	Anthracite / Glossy graphite	ZIB07/FK
12	Metallic graphite	ZIB12/FK
13	Glossy black	ZIB13/FK
14	Structural black	ZIB14/FK
15	Dark structural graphite	ZIB15/FK
19	Structural white	ZIB19/FK
21	Matt white	ZIB21/FK
24	Matt black	ZIB24/FK
26	Deep matt black	ZIB26/FK

Colors with **4-6 weeks** delivery time

No	Color	Angular version
03	Satin	ZIB03/FK
08	Nickel-grinded	ZIB08/FK
11	Antique brass	ZIB11/FK
29	Matt brass	ZIB11/FK

There is an option to opt for PEX connectors designed for valves with a compatible thread.

When placing an order, kindly include (PEX) or (Cu) at the end of the catalog number.

For example: ZIB14/FK(Cu).

Type	PEX (16x2)	Cu (15x1)
End of the catalog number	PEX	Cu
		

BALL ALL IN ONE



BALL ALL IN ONE installation set, angular, ½”F x ½”M. For retro radiators.

The set includes: 1 x BALL control valve, 1 x BALL shut-off valve, 2 x single masking rosettes, 2 x masking sleeves, 2 x PEX or Cu adapters.

Colors with 1-7 days delivery time

No	Color	Angular version
02	Chrome	AZIB02/FK
05	Structural graphite	AZIB05/FK
06	White	AZIB06/FK
07	Anthracite / Glossy graphite	AZIB07/FK
12	Metallic graphite	AZIB12/FK
13	Glossy black	AZIB13/FK
14	Structural black	AZIB14/FK
15	Dark structural graphite	AZIB15/FK
19	Structural white	AZIB19/FK
21	Matt white	AZIB21/FK
24	Matt black	AZIB24/FK
26	Deep matt black	AZIB26/FK

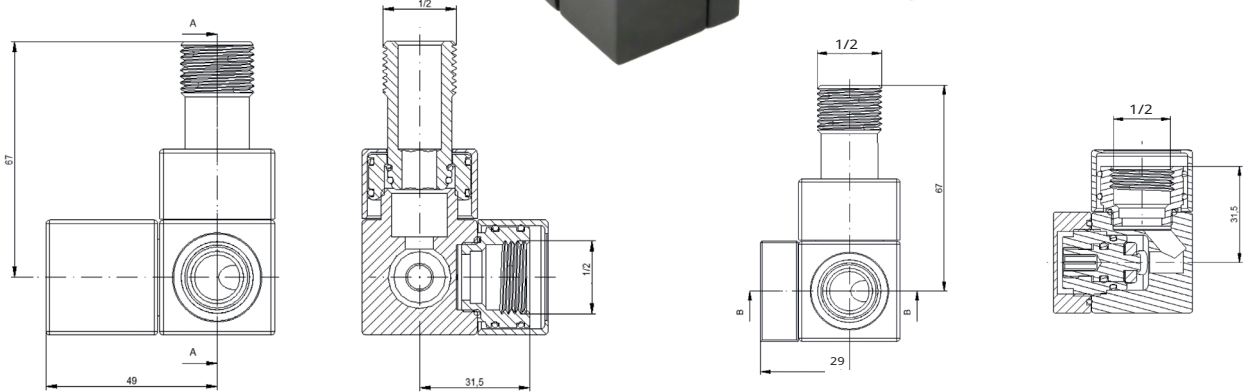
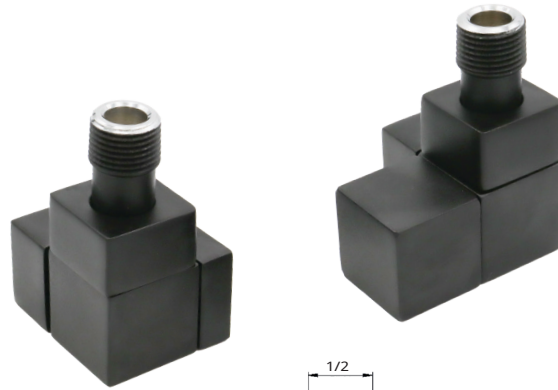
Colors with 4-6 weeks delivery time

No	Color	Angular version
03	Satin	AZIB03/FK
08	Nickel-grinded	AZIB08/FK
11	Antique brass	AZIB11/FK
29	Matt brass	AZIB11/FK

When ordering, add (PEX) or (Cu) at the end of the catalog number.

For example: AZIB11/FK(PEX).

QUATTRO



QUATTRO regulating set, axial, left or right, 1/2" F x 1/2" M.

The set includes: 1 x QUATTRO control valve, 1 x QUATTRO shut-off valve.

Colors with 1-7 days delivery time

No	Color	Right version	Left version
02	Chrome	QR02CFK/P	QR02CFK/L
05	Structural graphite	QR05CFK/P	QR05CFK/L
06	White	QR06CFK/P	QR06CFK/L
07	Anthracite / Glossy graphite	QR07CFK/P	QR07CFK/L
12	Metallic graphite	QR12CFK/P	QR12CFK/L
13	Glossy black	QR13CFK/P	QR13CFK/L
14	Structural black	QR14CFK/P	QR14CFK/L
15	Dark structural graphite	QR15CFK/P	QR15CFK/L
19	Structural white	QR19CFK/P	QR19CFK/L
21	Matt white	QR21CFK/P	QR21CFK/L
24	Matt black	QR24CFK/P	QR24CFK/L
26	Deep matt black	QR26CFK/P	QR26CFK/L

Colors with 4-6 weeks delivery time

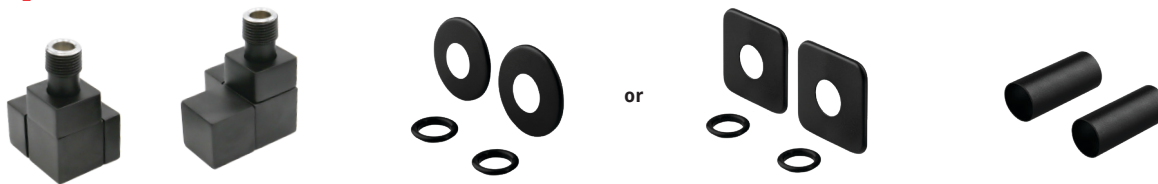
No	Color	Right version	Left version
03	Satin	QR03CFK/P	QR03CFK/L
08	Nickel-grinded	QR08CFK/P	QR08CFK/L
11	Antique brass	QR11CFK/P	QR11CFK/L
29	Matt brass	QR29CFK/P	QR29CFK/L

There is an option to opt for PEX connectors designed for valves with a compatible thread.

The fittings are an integral part of the valve (when ordering, add (PEX) or (Cu) at the end of the catalog number).

For example: QR02CFK/L(PEX).

QUATTRO ALL IN ONE



QUATTRO ALL IN ONE regulating set, axial, left or right, ½"F x ½"M.

The set includes: 1 x QUATTRO control valve, 1 x QUATTRO shut-off valve, 2 x single masking rosettes, 2 x masking sleeves. The fittings are an integral part of the valve (when ordering, add (PEX) or (Cu) at the end of the catalog number). For example: AQR26CFK/P(PEX).

Set with round rosettes

Colors with 1-7 days delivery time

No	Color	Right version	Left version
02	Chrome	AQR02CFK/P	AQR02CFK/L
05	Structural graphite	AQR05CFK/P	AQR05CFK/L
06	White	AQR06CFK/P	AQR06CFK/L
07	Anthracite / Glossy graphite	AQR07CFK/P	AQR07CFK/L
12	Metallic graphite	AQR12CFK/P	AQR12CFK/L
13	Glossy black	AQR13CFK/P	AQR13CFK/L
14	Structural black	AQR14CFK/P	AQR14CFK/L
15	Dark structural graphite	AQR15CFK/P	AQR15CFK/L
19	Structural white	AQR19CFK/P	AQR19CFK/L
21	Matt white	AQR21CFK/P	AQR21CFK/L
24	Matt black	AQR24CFK/P	AQR24CFK/L
26	Deep matt black	AQR26CFK/P	AQR26CFK/L

Colors with 4-6 weeks delivery time

No	Color	Right version	Left version
03	Satin	AQR03CFK/P	AQR03CFK/L
08	Nickel-grinded	AQR08CFK/P	AQR08CFK/L
11	Antique brass	AQR11CFK/P	AQR11CFK/L
29	Matt brass	AQR29CFK/P	AQR29CFK/L

Set with square rosettes

Colors with 1-7 days delivery time

No	Color	Right version	Left version
02	Chrome	APQR02CFK/P	APQR02CFK/L
05	Structural graphite	APQR05CFK/P	APQR05CFK/L
06	White	APQR06CFK/P	APQR06CFK/L
07	Anthracite / Glossy graphite	APQR07CFK/P	APQR07CFK/L
12	Metallic graphite	APQR12CFK/P	APQR12CFK/L
13	Glossy black	APQR13CFK/P	APQR13CFK/L
14	Structural black	APQR14CFK/P	APQR14CFK/L
15	Dark structural graphite	APQR15CFK/P	APQR15CFK/L
19	Structural white	APQR19CFK/P	APQR19CFK/L
21	Matt white	APQR21CFK/P	APQR21CFK/L
24	Matt black	APQR24CFK/P	APQR24CFK/L
26	Deep matt black	APQR26CFK/P	APQR26CFK/L

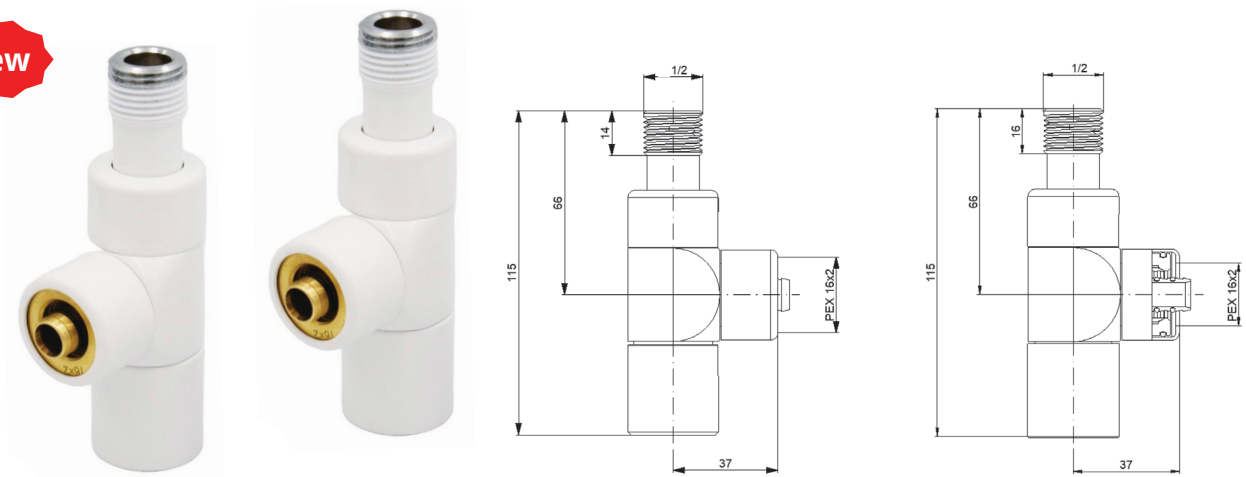
Colors with 4-6 weeks delivery time

No	Color	Right version	Left version
03	Satin	APQR03CFK/P	APQR03CFK/L
08	Nickel-grinded	APQR08CFK/P	APQR08CFK/L
11	Antique brass	APQR11CFK/P	APQR11CFK/L
29	Matt brass	APQR29CFK/P	APQR29CFK/L

EXCLUSIVE SETS - REGULATING

LUX III

New



LUX III regulating set, angular version, 1/2" F x 1/2" M.

The set includes: 1 x LUX III control valve, 1 x LUX III shut-off valve.

Colors with 1-7 days delivery time

No	Color	Angular version
02	Chrome	LUX3R02CFK
05	Structural graphite	LUX3R05CFK
06	White	LUX3R06CFK
07	Anthracite / Glossy graphite	LUX3R07CFK
12	Metallic graphite	LUX3R12CFK
13	Glossy black	LUX3R13CFK
14	Structural black	LUX3R14CFK
15	Dark structural graphite	LUX3R15CFK
19	Structural white	LUX3R19CFK
21	Matt white	LUX3R21CFK
24	Matt black	LUX3R24CFK
26	Deep matt black	LUX3R26CFK

Colors with 4-6 weeks delivery time

No	Color	Angular version
03	Satin	LUX3R03CFK
08	Nickel-grinded	LUX3R08CFK
11	Antique brass	LUX3R11CFK
29	Matt brass	LUX3R29CFK

There is an option to opt for PEX connectors designed for valves with a compatible thread.

The fittings are an integral part of the valve (when ordering, add (PEX) or (Cu) at the end of the catalog number).

For example: LUX3R24CFK(PEX).

LUX III ALL IN ONE



LUX III ALL IN ONE regulating set, angular version, ½"F x ½"M.

The set includes: 1 x LUX III control valve, 1 x LUX III shut-off valve, 2 x single masking rosettes, 2 x masking sleeves.

Colors with 1-7 days delivery time

No	Color	Angular version
02	Chrome	ALUX3R02CFK
05	Structural graphite	ALUX3R05CFK
06	White	ALUX3R06CFK
07	Anthracite / Glossy graphite	ALUX3R07CFK
12	Metallic graphite	ALUX3R12CFK
13	Glossy black	ALUX3R13CFK
14	Structural black	ALUX3R14CFK
15	Dark structural graphite	ALUX3R15CFK
19	Structural white	ALUX3R19CFK
21	Matt white	ALUX3R21CFK
24	Matt black	ALUX3R24CFK
26	Deep matt black	ALUX3R26CFK

Colors with 4-6 weeks delivery time

No	Color	Angular version
03	Satin	ALUX3R03CFK
08	Nickel-grinded	ALUX3R08CFK
11	Antique brass	ALUX3R11CFK
29	Matt brass	ALUX3R29CFK

Optional for PEX connectors designed for valves with a compatible thread.

The fittings are an integral part of the valve (when ordering, add (PEX) or (Cu) at the end of the catalog number).

For example: ALUX3R05CFK(PEX).

GLAMOUR GOLD

Bold combinations of luxurious colors and coverings will meet the expectations of even the most demanding tastes and will undoubtedly attract attention.

The most popular valve models have been added to the line: TWINS, INTEGRA, VISION and UNICO.

Each set is equipped with all accessories necessary to connect the radiator to the installation and to regulate the temperature. Please select the appropriate type of installation connectors by marking it in the catalog number.

The PRESTIGE thermostatic head creates the base for all GLAMOUR sets.

The TWINS and UNICO sets are equipped with rectangular rosettes, and the INTEGRA and VISION sets are equipped with round rosettes.

TWINS 24 CARATS

Covering	Left version	Right version
Gold 24 carats	APTSGS0222CFK/L	APTSGS0222CFK/P

UNICO 24 CARATS

Covering	Left version	Right version
Gold 24 carats	APUGS0222CFK/L	APUGS0222CFK/P

INTEGRA 24 CARATS

Covering	Left version	Right version
Gold 24 carats	AIGS0222CFK/L	AIGS0222CFK/P

VISION 24 CARATS

Covering	Left version	Right version
Gold 24 carats	AVIGS0222CFK/L	AVIGS0222CFK/P

GLAMOUR

TWINS GLAMOUR

Color	Left version	Right version
Galvanic gold	APTSGS0220CFK/L	APTSGS0220CFK/P
Matt black + Galvanic gold	APTSGS0223CFK/L	APTSGS0223CFK/P
Matt white + Galvanic gold	APTSGS0225CFK/L	APTSGS0225CFK/P
Matt black + Antique brass	APTSGS0227CFK/L	APTSGS0227CFK/P
Matt white + Antique brass	APTSGS0228CFK/L	APTSGS0228CFK/P

UNICO GLAMOUR

Color	Left version	Right version
Galvanic gold	APUGS0220CFK/L	APUGS0220CFK/P
Matt black + Galvanic gold	APUGS0223CFK/L	APUGS0223CFK/P
Matt white + Galvanic gold	APUGS0225CFK/L	APUGS0225CFK/P
Matt black + Antique brass	APUGS0227CFK/L	APUGS0227CFK/P
Matt white + Antique brass	APUGS0228CFK/L	APUGS0228CFK/P

INTEGRA GLAMOUR

Color	Left version	Right version
Galvanic gold	AIGS0220CFK/L	AIGS0220CFK/P
Matt black + Galvanic gold	AIGS0223CFK/L	AIGS0223CFK/P
Matt white + Galvanic gold	AIGS0225CFK/L	AIGS0225CFK/P
Matt black + Antique brass	AIGS0227CFK/L	AIGS0227CFK/P
Matt white + Antique brass	AIGS0228CFK/L	AIGS0228CFK/P

VISION GLAMOUR

Color	Left version	Right version
Galvanic gold	AVIGS0220CFK/L	AVIGS0220CFK/P
Matt black + Galvanic gold	AVIGS0223CFK/L	AVIGS0223CFK/P
Matt white + Galvanic gold	AVIGS0225CFK/L	AVIGS0225CFK/P
Matt black + Antique brass	AVIGS0227CFK/L	AVIGS0227CFK/P
Matt white + Antique brass	AVIGS0228CFK/L	AVIGS0228CFK/P

UNDERFLOOR HEATING



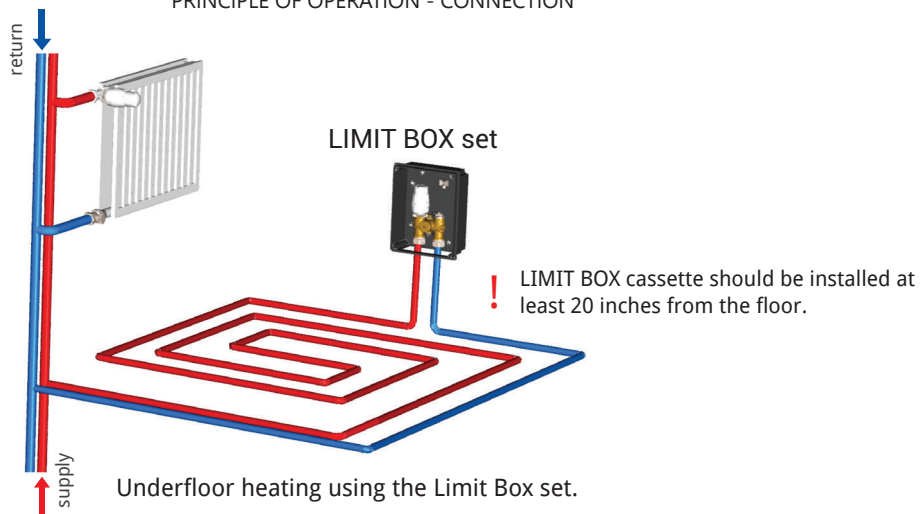
Underfloor heating offers numerous benefits, including prolonged warmth, accelerated drying of bathroom floors, and an efficient heat distribution method that allows for a reduction in room temperature by approximately 2°C while maintaining a comfortable thermal experience. Moreover, this heating method is widely regarded as optimal for our well-being. While underfloor heating is a highly effective solution, its installation might not be cost-effective for smaller areas designated for this type of system. In some cases, users may simply desire to warm specific floor materials, like stoneware, even when traditional radiators are in use. Exploring an alternative option, such as integrated heating, could be worthwhile.

INTEGRATED HEATING PRODUCT LINE

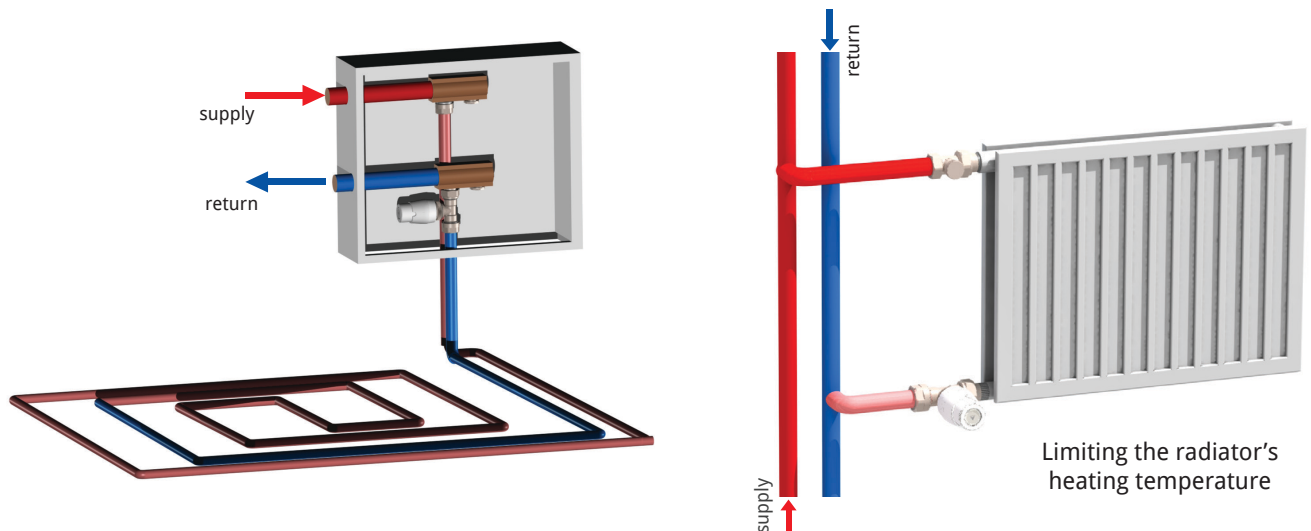
The operating principle involves restricting the water temperature at the heater's return and/or within the underfloor heating loop (**covering up to 15m²**). Employing this limiter ensures a consistent temperature of the heating medium return, ranging from 10°C to 50°C. This approach also eliminates the necessity for installing a mixing valve and an additional circulation pump.

RETURN TEMPERATURE LIMITATION

PRINCIPLE OF OPERATION - CONNECTION



OPERATING PRINCIPLE - CONNECTIONS, EXAMPLES OF APPLICATION



T - TYPE LIMIT BOX



LIMIT BOX RTL set with 3/4" M output for PEX / Cu adapters. It has been designed to regulate the temperature of small surfaces of underfloor heating (thanks to the RTL head), and thanks to an additional classic thermostatic head, we also control the ambient temperature.

The set includes: LIMIT BOX RTL integrated valve, PRESTIGE RTL head, PICCO thermostatic head, LimitBox, bleed key, PEX 16x2 / connectors 3/4" M.

Type	Catalog number
Covered RTL head and uncovered Picco th. head	ZKTRTL06

O - TYPE LIMIT BOX



LIMIT BOX RTL set with 3/4" M output for PEX / Cu adapters. It has been designed to regulate the temperature of small areas of underfloor heating. It is perfect for connecting a newly made underfloor heating installation, but also to an existing radiator installation.

The set includes: LIMIT BOX RTL integrated valve, PRESTIGE RTL head, Limit Box, bleed key, PEX 16x2 / connectors 3/4" M.

Type	Catalog number
Uncovered RTL head	ZKORTL06

Z - TYPE LIMIT BOX



LIMIT BOX RTL set with 3/4" M output for PEX / Cu adapters. It has been designed to regulate the temperature of small areas of underfloor heating. It is perfect for connecting a newly made underfloor heating installation, but also to an existing radiator installation.

The set includes: LIMIT BOX RTL integrated valve, PRESTIGE RTL head, Limit Box, bleed key, PEX 16x2 / connectors 3/4" M.

Type	Catalog number
Covered RTL head	ZKZRTL06

STANDARD RTL



RTL Set STANDRAD version (straight or angular), with connection for Pex/Cu adapters, designed for limiting the temperature on the return side of the radiator or for temperature regulation on small Underfloor Heating installations (up to 15m2).

The set includes: STANDARD RTL valve, PRESTIGE RTL head.

Color	Angular version	Straight version
Nickel	ZRTL06/K	ZRTL06/P

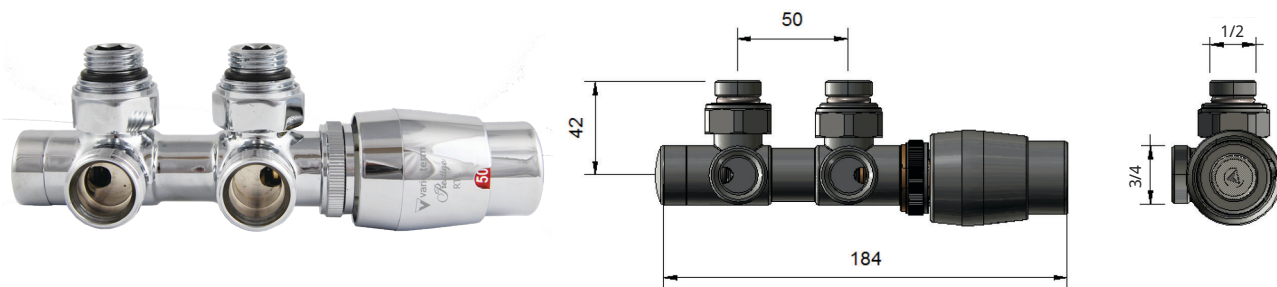
PRESTIGE RTL



RTL Prestige thermostatic head is designed for RTL underfloor heating. Its internal body is made from glass fiber-reinforced plastic, allowing it to operate at very high temperatures (up to 120°C). The outer layer of the body is made of ABS plastic. The sensor head is calibrated in the range of 10-50°C. It's compatible only with Vario Term RTL valves.

Color	Catalog number
White	000M656A006

TWINS RTL



Underfloor heating TWINS RTL set, right or left, 3/4" M x 3/4" F (1/2" M). The distance between the connections to the installation is 50 mm.

The set is used to limit the return temperature of the radiator or to regulate the temperature for small surfaces of underfloor heating (up to 15 m²).

The set includes: 1 x TWINS RTL connection, 1 x PRESTIGE RTL thermostatic head, 2 x reduction nipples 3/4" x 1/2".

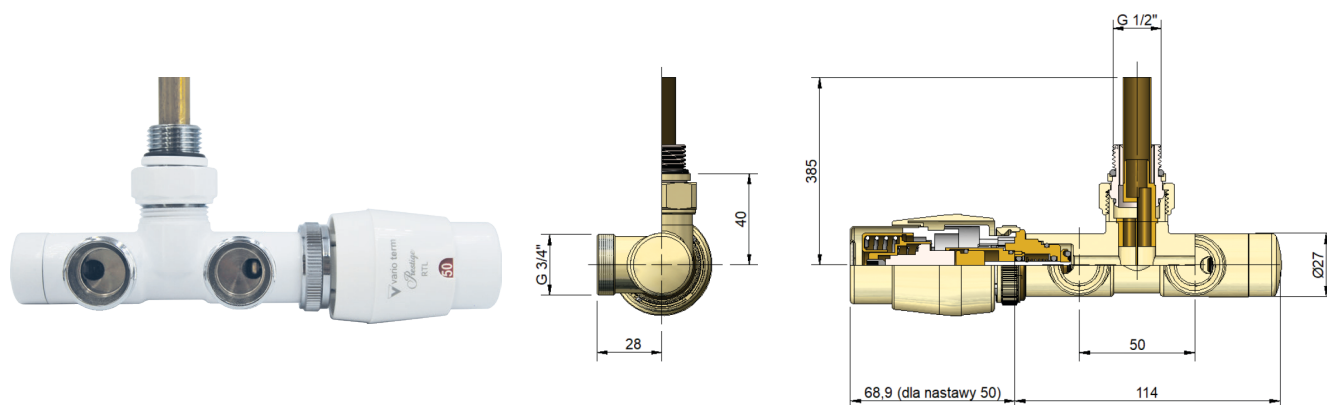
Colors with 1-7 days delivery time		With PRESTIGE RTL thermostatic head	
No	Color	Right version	Left version
02	Chrome	TRTL02/P	TRTL02/L
05	Structural graphite	TRTL05/P	TRTL05/L
06	White	TRTL06/P	TRTL06/L
07	Anthracite / Glossy graphite	TRTL07/P	TRTL07/L
12	Metallic graphite	TRTL12/P	TRTL12/L
13	Glossy black	TRTL13/P	TRTL13/L
14	Structural black	TRTL14/P	TRTL14/L
15	Dark structural graphite	TRTL15/P	TRTL15/L
19	Structural white	TRTL19/P	TRTL19/L
21	Matt white	TRTL21/P	TRTL21/L
24	Matt black	TRTL24/P	TRTL24/L
26	Deep matt black	TRTL26/P	TRTL26/L
Colors with 4-6 weeks delivery time		With PRESTIGE RTL thermostatic head	
No	Color	Right version	Left version
03	Satin	TRTL03/P	TRTL03/L
08	Nickel-grinded	TRTL08/P	TRTL08/L
11	Antique brass	TRTL11/P	TRTL11/L
29	Matt brass	TRTL29/P	TRTL29/L

There is an option to opt for PEX connectors designed for valves with a compatible thread. When placing an order, kindly include PEX or Cu or GZ at the end of the catalog number.

For example: TRTL12/L(PEX).

Type	PEX (16x2)	Cu (15x1)	1/2" M
End of the catalog number	PEX	Cu	GZ

UNICO RTL



UNICO RTL underfloor heating set, right or left, 3/4" M x 1/2" M. The distance between the connections to the installation is 50 mm.

Specially designed for radiators that allow the use of an electric heater. The set is used to limit the return temperature of the radiator or to regulate the temperature for small surfaces of underfloor heating (up to 15 m²).

The set includes: 1 x UNICO RTL connection, 1 x immersion tube, 1 x PRESTIGE RTL head, 1 x mounting fitting.

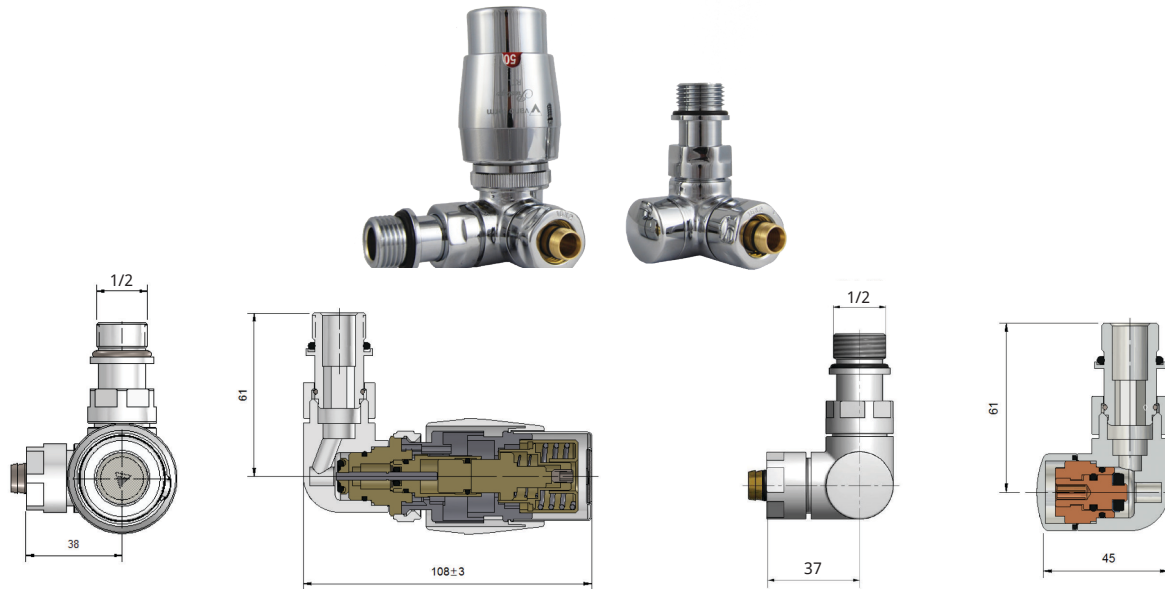
Colors with 1-7 days delivery time		With PRESTIGE RTL thermostatic head	
No	Color	Right version	Left version
02	Chrome	URTL02/P	URTL02/L
05	Structural graphite	URTL05/P	URTL05/L
06	White	URTL06/P	URTL06/L
07	Anthracite / Glossy graphite	URTL07/P	URTL07/L
12	Metallic graphite	URTL12/P	URTL12/L
13	Glossy black	URTL13/P	URTL13/L
14	Structural black	URTL14/P	URTL14/L
15	Dark structural graphite	URTL15/P	URTL15/L
19	Structural white	URTL19/P	URTL19/L
21	Matt white	URTL21/P	URTL21/L
24	Matt black	URTL24/P	URTL24/L
26	Deep matt black	URTL26/P	URTL26/L
Colors with 4-6 weeks delivery time		With PRESTIGE RTL thermostatic head	
No	Color	Right version	Left version
03	Satin	URTL03/P	URTL03/L
08	Nickel-grinded	URTL08/P	URTL08/L
11	Antique brass	URTL11/P	URTL11/L
29	Matt brass	URTL29/P	URTL29/L

There is an option to opt for PEX connectors designed for valves with a compatible thread. When placing an order, kindly include PEX or Cu or GZ at the end of the catalog number.

For example: URTL21/L(Cu).

Type	PEX (16x2)	Cu (15x1)	1/2" M
End of the catalog number	PEX	Cu	GZ

VISION RTL



VISION RTL underfloor heating set, right or left, 1/2" M / M22x1.5 male.

The set is used to limit the return temperature of the radiator or to regulate the temperature for small surfaces of underfloor heating (up to 15 m²).

The set includes: 1 x VISION RTL supply valve, 1 x VISION RTL shut-off valve, 1 x PRESTIGE RTL head.

Colors with 1-7 days delivery time

No	Color	With PRESTIGE RTL thermostatic head	
		Right version	Left version
02	Chrome	VIRTL02P	VIRTL02L
05	Structural graphite	VIRTL05P	VIRTL05L
06	White	VIRTL06P	VIRTL06L
07	Anthracite / Glossy graphite	VIRTL07P	VIRTL07L
12	Metallic graphite	VIRTL12P	VIRTL12L
13	Glossy black	VIRTL13P	VIRTL13L
14	Structural black	VIRTL14P	VIRTL14L
15	Dark structural graphite	VIRTL15P	VIRTL15L
19	Structural white	VIRTL19P	VIRTL19L
21	Matt white	VIRTL21P	VIRTL21L
24	Matt black	VIRTL24P	VIRTL24L
26	Deep matt black	VIRTL26P	VIRTL26L

Colors with 4-6 weeks delivery time

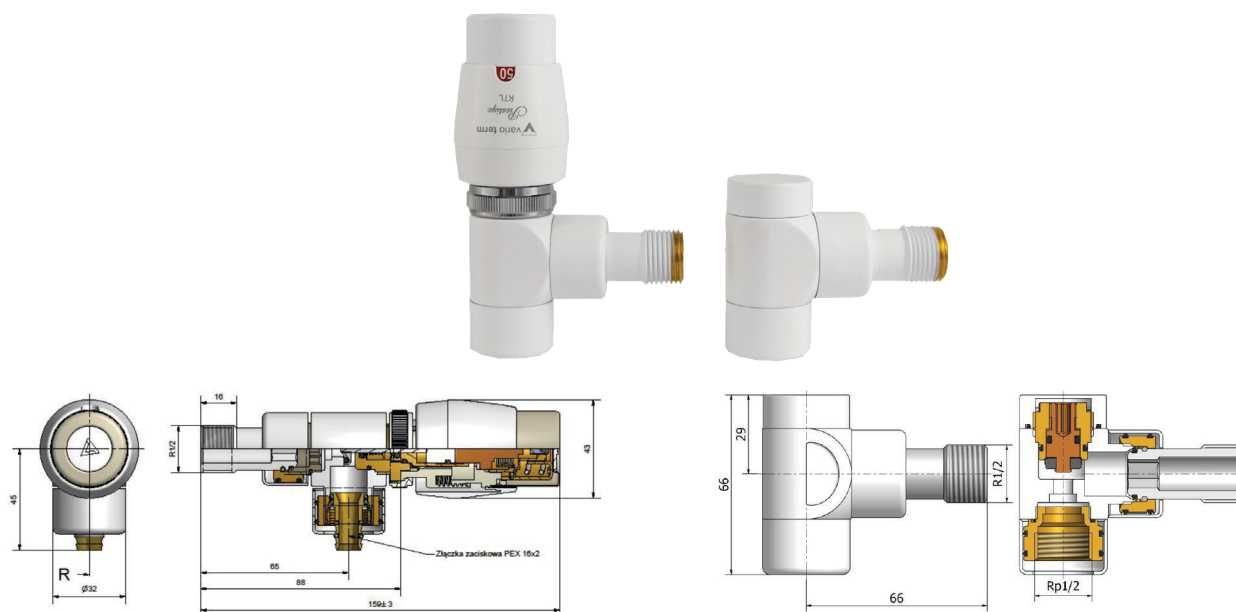
No	Color	With PRESTIGE RTL thermostatic head	
		Right version	Left version
03	Satin	VIRTL03P	VIRTL03L
08	Nickel-grinded	VIRTL08P	VIRTL08L
11	Antique brass	VIRTL11P	VIRTL11L
29	Matt brass	VIRTL29P	VIRTL29L

There is an option to opt for PEX connectors designed for valves with a compatible thread. When placing an order, kindly include PEX or Cu or GZ or GW at the end of the catalog number.

For example: VIRTL05/L(Cu).

Type	PEX (16x2)	Cu (15x1)	1/2" M	1/2" F
End of the catalog number	PEX	Cu	GZ	GW
				

LUX II RTL



Underfloor heating LUX II RTL set, angular, 1/2" F x 1/2" M.

The set is used to limit the return temperature of the radiator or to regulate the temperature for small surfaces of underfloor heating (up to 15 m²).

The set includes: 1 x LUX II RTL supply valve, 1 x LUX II RTL shut-off valve, 1 x PRESTIGE RTL head.

Colors with 1-7 days delivery time

No	Color	With PRESTIGE RTL thermostatic head
02	Chrome	LUXRTL02
05	Structural graphite	LUXRTL05
06	White	LUXRTL06
07	Anthracite / Glossy graphite	LUXRTL07
12	Metallic graphite	LUXRTL12
13	Glossy black	LUXRTL13
14	Structural black	LUXRTL14
15	Dark structural graphite	LUXRTL15
19	Structural white	LUXRTL19
21	Matt white	LUXRTL21
24	Matt black	LUXRTL24
26	Deep matt black	LUXRTL26

Colors with 4-6 weeks delivery time

No	Color	With PRESTIGE RTL thermostatic head
03	Satin	LUXRTL03
08	Nickel-grinded	LUXRTL08
11	Antique brass	LUXRTL11
29	Matt brass	LUXRTL29

There is an option to opt for PEX connectors designed for valves with a compatible thread.
The fittings are an integral part of the valve (when ordering, add (PEX) or (Cu) at the end of the catalog number).
For example: LUXRTL07(PEX).

VARIOPROTECT SAFETY GROUP

TECHNICAL DATA	Safety group for central heating, 3 bar	Safety group for domestic hot water systems, 6 bar
Dimensions (mm)	270 x 190 x 70	270 x 190 x 70
Work temperature	max 90°C	max 90°C
Nominal pressure safety valve	3 bar	6 bar
Vessel quick coupler diaphragmatic	¾"F	¾"F
Installation connection	¾"M	¾"M
Working range of the manometer	0 - 4 bar	0 - 10 bar

Catalog number

GBCO3B

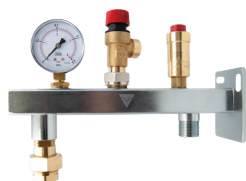
GBCWU6B

Type

Safety group for central heating, 3 bar

Safety group for domestic hot water systems, 6 bar

SAFETY GROUP FOR CENTRAL HEATING, 3 BAR

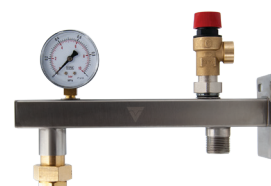


The security group is a ready set designed to protect central heating installations against excessive increase in water volume and pressure. The set is prepared for simple mounting to the wall of the room, guaranteeing the safety and comfort of using the central heating system.

The galvanized steel beam is equipped with a quick coupler with a foot valve for assembly diaphragm expansion vessel (the set does not include the vessel), allowing quick and easy checking the technical condition of the vessel, without the need to empty the system. The safety valve, which is characterized by high discharge capacity at the valve opening pressure of 3 bar, protects against excessive pressure increase in the system.

This valve is equipped with a connection that allows you to change the direction of the water discharge. In order to prevent corrosion, an automatic air vent was used in the installation with a foot valve, guaranteeing stable operation of the system.

SAFETY GROUP FOR DOMESTIC HOT WATER SYSTEMS, 6 BAR

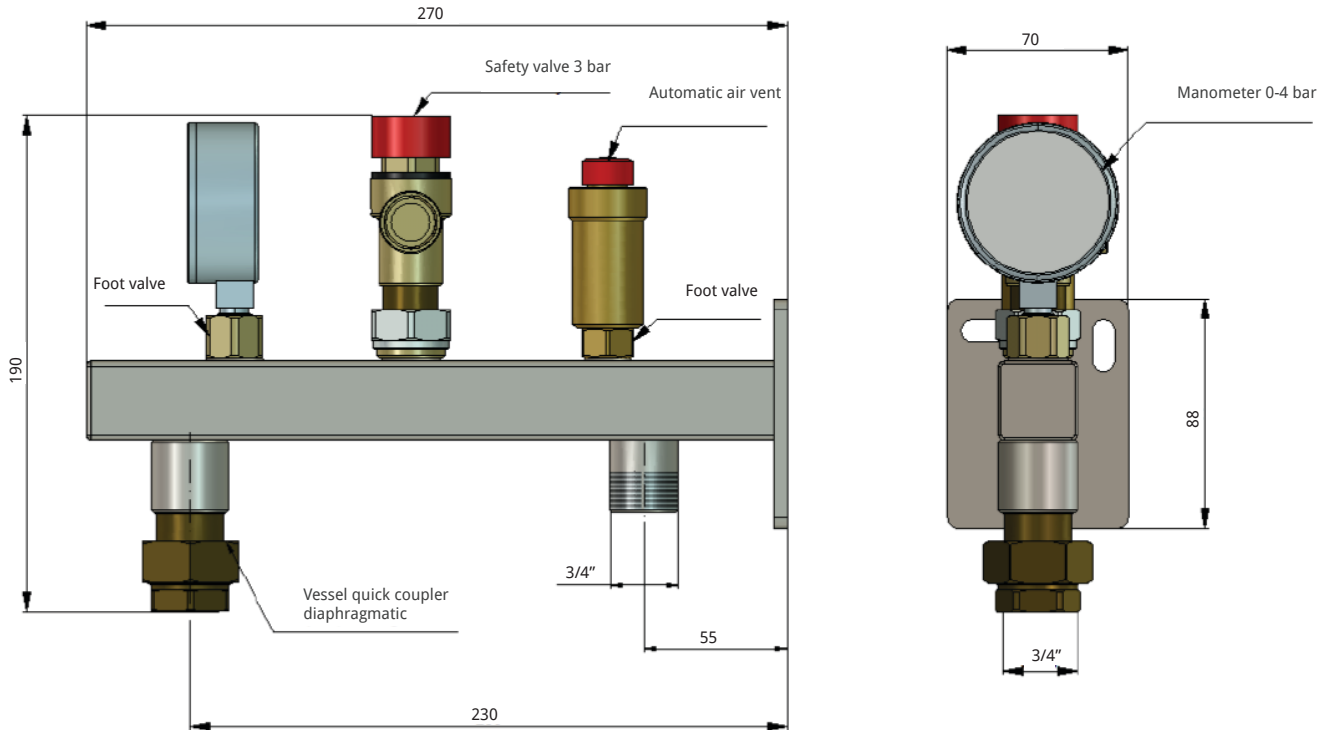


The security group is a ready set designed to protect central heating installations against excessive increase in water volume and pressure. The set is prepared for simple mounting to the wall of the room, guaranteeing the safety and comfort of using the central heating system.

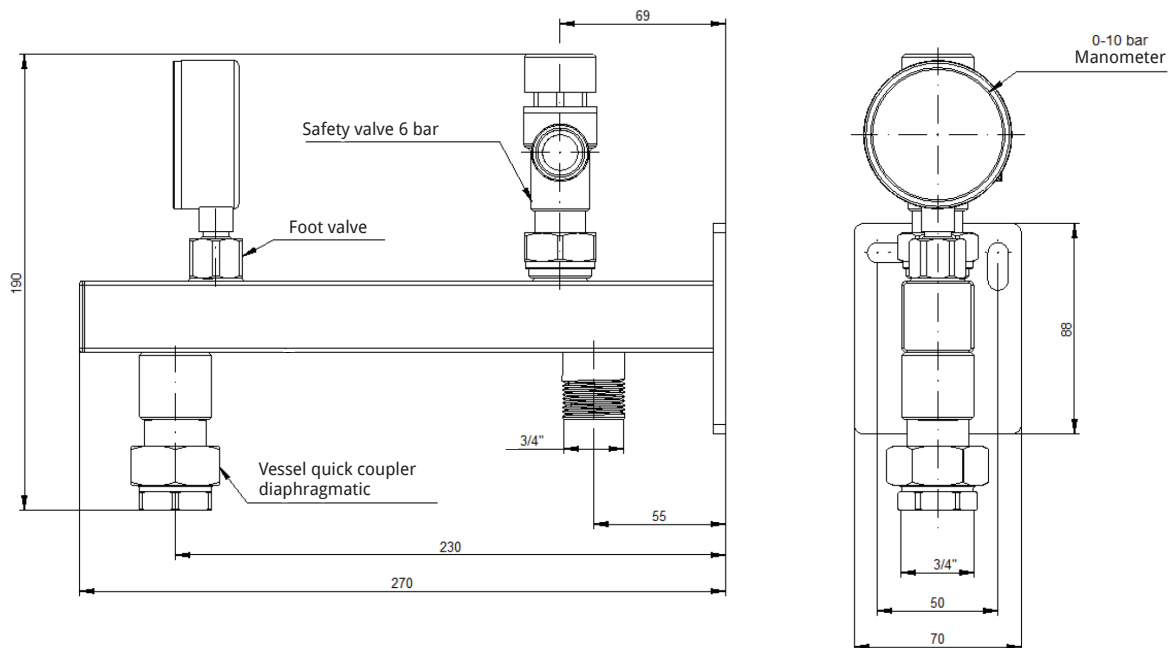
The galvanized steel beam is equipped with a quick coupler with a foot valve for assembly diaphragm expansion vessel, allowing quick and easy checking the technical condition of the vessel, without the need to empty the system. The safety valve, which is characterized by high discharge capacity at the valve opening pressure of 6 bar, protects against excessive pressure increase in the system.

We recommend regular use of corrosion inhibitors and cleaners, for example V-Inhibitor and V-Cleaner by Vario Term.

DIMENSIONS / CONSTRUCTION
SAFETY GROUP FOR CENTRAL HEATING
3 BAR

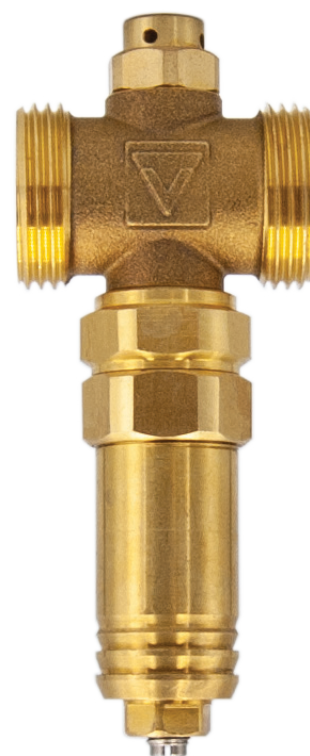


DIMENSIONS / CONSTRUCTION
SAFETY GROUP FOR DOMESTIC HOT WATER SYSTEMS
6 BAR



THERMOSTATIC ANTI-FREEZE VALVE

TECHNICAL DATA	
Nominal pressure	10 bar
Work temperature (medium)	0-65°C
Work temperature (environment)	30-60°C
Opening temperature	3°C
Closing temperature	4°C
Accuracy	±1°C
Kvs	55m ³ /h
Mounting thread	1" M



Catalog number	Type
VZTA	Thermostatic anti-freeze valve

The anti-freeze thermostatic valve is used when installing heating systems based on a heat pump. It protects the internal elements of monoblock heat pumps and the entire installation against damage due to freezing of the medium in the installation.

Loss of medium circulation in the system with a monoblock heat pump due to a power failure may lead to freezing of the medium in the installation. The purpose of the valve is to prevent ice from forming in the installation, which may damage the heat exchanger and other sensitive components. A drop in the temperature of the medium in the pipe below $\leq 3^{\circ}\text{C}$ opens the valve in the set with the thermostatic insert, releasing the medium to the outside, protecting the installation against damage. An increase in the temperature of the medium in the pipe above 4°C closes the valve in the assembly with the thermostatic insert, preventing the medium from being released outside the installation.

We recommend regular use of corrosion inhibitors and cleaners, for example V-Inhibitor and V-Cleaner by Vario Term.

V-CLEANER

Polymeric-vitamin solution for removing contaminants from water circulation systems. Designed for use in heating, cooling, industrial, and machinery installations. The preparation breaks down and prevents the binding of contaminants in the system, restoring full efficiency and circulation while eliminating the phenomenon of noisy system operation. It reduces and eliminates cold spots in heating installations. Suitable for use in all installations regardless of the material used. It does not damage seals and connections. After using the V-CLEANER product, it is recommended to protect the installation with the Vario Term V-INHIBITOR agent.

New



- Restores the original efficiency of the system circulation.
- Non-reactive with aluminum and aluminum-silicon.
- Removes all contaminants from the installation.
- Non-aggressive multimaterial product.
- Applicable to all types of installations.
- Biodegradable product.
- Eliminates noisy operation.
- Degasses the installation.
- Does not contain acids.

Catalog number

VCL500

Type

V-Cleaner 500 ml

V-INHIBITOR

Polymeric protective agent for water circulation systems, preventing the formation of contaminants, deposition of scale, rust, and sludge. Designed for use in heating, cooling, industrial, and machinery installations. Suitable for both new installations and those previously cleaned with Vario Term V-Cleaner products. The product protects the entire installation and its components. Its broad application range and polymeric nature allow for the protection of multimaterial installations. It regulates pH and forms a polymeric layer within the system.

New



- Acts anticorrosively on all components of the installation.
- Non-reactive with aluminum and aluminum-silicon.
- Reduces the noise of system components.
- Exhibits lubricating properties.
- Facilitates degassing of the installation.

Catalog number

VIN500

Type

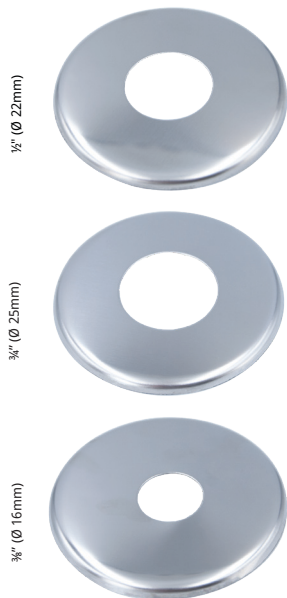
V-Inhibitor 500 ml

MASKING ACCESSORIES

SINGLE MASKING ROSETTE

Round, flat masking rosette. It is available in three configurations:

1/2" (Ø 22mm),
3/4" (Ø 25mm)**,
3/8" (Ø 16mm).



Colors with 1-7 days delivery time

No	Color	1/2" (Ø 22 mm)	3/4" (Ø 25 mm)	3/8" (Ø 16 mm)
02	Chrome	000M820A002	000M821A002	000M822A002
05	Structural graphite	000M820A005	000M821A005	000M822A005
06	White	000M820A006	000M821A006	000M822A006
07	Anthracite / Glossy graphite	000M820A007	000M821A007	000M822A007
12	Metallic graphite	000M820A012	000M821A012	000M822A012
13	Glossy black	000M820A013	000M821A013	000M822A013
14	Structural black	000M820A014	000M821A014	000M822A014
15	Dark structural graphite	000M820A015	000M821A015	000M822A015
19	Structural white	000M820A019	000M821A019	000M822A019
21	Matt white	000M820A021	000M821A021	000M822A021
24	Matt black	000M820A024	000M821A024	000M822A024
26	Deep matt black	000M820A026	000M821A026	000M822A026

Colors with 4-6 weeks delivery time

No	Color	1/2" (Ø 22 mm)	3/4" (Ø 25 mm)	3/8" (Ø 16 mm)
03	Satin	000M820A003	000M821A003	000M822A003
08	Nickel-grinded	000M820A008	000M821A008	000M822A008
11	Antique brass	000M820A011	000M821A011	000M822A011
29	Matt brass	000M820A029	000M821A029	000M822A029

MASKING SET WITH SINGLE ROSETTE

Valve fittings:
VISION
INTEGRA
AXI ELEGANT,
BALL,
ELEGANT,
MASTER,
ROYAL,
SWING,
OLD STAR.

The set includes:

2 x rosette 3/4"*,
2 x silicone gaskets**,
2 x masking sleeve 50mm*,
2 x adapter / compression fittings PEX / Cu / M.



Colors with 1-7 days delivery time

No	Color	VISION, INTEGRA		AXI ELEGANT, BALL, ELEGANT, MASTER, ROYAL, SWING, OLD STAR	
		PEX	Cu	M (PEX)	M (Cu)
02	Chrome	ZMR1P16xM2202	ZMR1M15xM2202	ZMR1M1/2x1602	ZMR1M1/2x1502
05	Structural graphite	ZMR1P16xM2205	ZMR1M15xM2205	ZMR1M1/2x1605	ZMR1M1/2x1505
06	White	ZMR1P16xM2206	ZMR1M15xM2206	ZMR1M1/2x1606	ZMR1M1/2x1506
07	Anthracite / Glossy graphite	ZMR1P16xM2207	ZMR1M15xM2207	ZMR1M1/2x1607	ZMR1M1/2x1507
12	Metallic graphite	ZMR1P16xM2212	ZMR1M15xM2212	ZMR1M1/2x1612	ZMR1M1/2x1512
13	Glossy black	ZMR1P16xM2213	ZMR1M15xM2213	ZMR1M1/2x1613	ZMR1M1/2x1513
14	Structural black	ZMR1P16xM2214	ZMR1M15xM2214	ZMR1M1/2x1614	ZMR1M1/2x1514
15	Dark structural graphite	ZMR1P16xM2215	ZMR1M15xM2215	ZMR1M1/2x1615	ZMR1M1/2x1515
19	Structural white	ZMR1P16xM2219	ZMR1M15xM2219	ZMR1M1/2x1619	ZMR1M1/2x1519
21	Matt white	ZMR1P16xM2221	ZMR1M15xM2221	ZMR1M1/2x1621	ZMR1M1/2x1521
24	Matt black	ZMR1P16xM2224	ZMR1M15xM2224	ZMR1M1/2x1624	ZMR1M1/2x1524
26	Deep matt black	ZMR1P16xM2226	ZMR1M15xM2226	ZMR1M1/2x1626	ZMR1M1/2x1526

Colors with 4-6 weeks delivery time

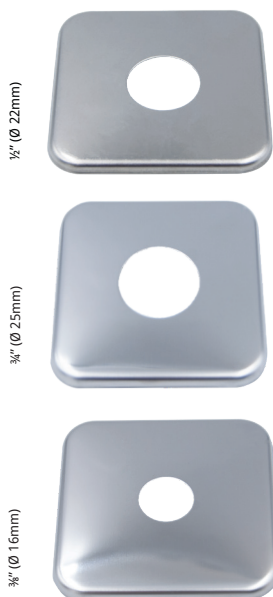
No	Color	VISION, INTEGRA		AXI ELEGANT, BALL, ELEGANT, MASTER, ROYAL, SWING, OLD STAR	
		PEX	Cu	M (PEX)	M (Cu)
03	Satin	ZMR1P16xM2203	ZMR1M15xM2203	ZMR1M1/2x1603	ZMR1M1/2x1503
08	Nickel-grinded	ZMR1P16xM2208	ZMR1M15xM2208	ZMR1M1/2x1608	ZMR1M1/2x1508
11	Antique brass	ZMR1P16xM2211	ZMR1M15xM2211	ZMR1M1/2x1611	ZMR1M1/2x1511
29	Matt brass	ZMR1P16xM2229	ZMR1M15xM2229	ZMR1M1/2x1629	ZMR1M1/2x1529

* Different sleeve lengths and rosettes configuration for individual orders.

** Silicone gaskets included with 3/4" rosettes only.

SINGLE SQUARE MASKING ROSETTE

Masking, square, flat rosette. It is available in three configurations: 1/2" (Ø 22mm), 3/4" (Ø 25mm)**, 3/8" (Ø 16mm).



Colors with 1-7 days delivery time				
No	Color	1/2" (Ø 22 mm)	3/4" (Ø 25 mm)	3/8" (Ø 16 mm)
02	Chrome	000M826A002	000M826A202	000M826A102
05	Structural graphite	000M826A005	000M826A205	000M826A105
06	White	000M826A006	000M826A206	000M826A106
07	Anthracite / Glossy graphite	000M826A007	000M826A207	000M826A107
12	Metallic graphite	000M826A012	000M826A212	000M826A112
13	Glossy black	000M826A013	000M826A213	000M826A113
14	Structural black	000M826A014	000M826A214	000M826A114
15	Dark structural graphite	000M826A015	000M826A215	000M826A115
19	Structural white	000M826A019	000M826A219	000M826A119
21	Matt white	000M826A021	000M826A221	000M826A121
24	Matt black	000M826A024	000M826A224	000M826A124
26	Deep matt black	000M826A026	000M826A226	000M826A126
Colors with 4-6 weeks delivery time				
No	Color	1/2" (Ø 22 mm)	3/4" (Ø 25 mm)	3/8" (Ø 16 mm)
03	Satin	000M826A003	000M826A203	000M826A103
08	Nickel-grinded	000M826A008	000M826A208	000M826A108
11	Antique brass	000M826A011	000M826A211	000M826A111
29	Matt brass	000M826A029	000M826A229	000M826A129

MASKING SET WITH SINGLE SQUARE ROSETTE

Valve fittings: VISION, INTEGRA, AXI ELEGANT, BALL, ELEGANT, MASTER, ROYAL, SWING, OLD STAR.

The set includes: 2 x rosette 3/4"*, 2 x silicone gaskets**, 2 x masking sleeve 50mm*, 2 x adapter / compression fittings PEX / Cu / M.



Colors with 1-7 days delivery time		VISION, INTEGRA		AXI ELEGANT, BALL, ELEGANT, MASTER, ROYAL, SWING, OLD STAR	
No	Color	PEX	Cu	M (PEX)	M (Cu)
02	Chrome	ZMR1K16xM2202	ZMR1KM15xM2202	ZMR1KM1/2x1602	ZMR1KM1/2x1502
05	Structural graphite	ZMR1K16xM2205	ZMR1KM15xM2205	ZMR1KM1/2x1605	ZMR1KM1/2x1505
06	White	ZMR1K16xM2206	ZMR1KM15xM2206	ZMR1KM1/2x1606	ZMR1KM1/2x1506
07	Anthracite / Glossy graphite	ZMR1K16xM2207	ZMR1KM15xM2207	ZMR1KM1/2x1607	ZMR1KM1/2x1507
12	Metallic graphite	ZMR1K16xM2212	ZMR1KM15xM2212	ZMR1KM1/2x1612	ZMR1KM1/2x1512
13	Glossy black	ZMR1K16xM2213	ZMR1KM15xM2213	ZMR1KM1/2x1613	ZMR1KM1/2x1513
14	Structural black	ZMR1K16xM2214	ZMR1KM15xM2214	ZMR1KM1/2x1614	ZMR1KM1/2x1514
15	Dark structural graph.	ZMR1K16xM2215	ZMR1KM15xM2215	ZMR1KM1/2x1615	ZMR1KM1/2x1515
19	Structural white	ZMR1K16xM2219	ZMR1KM15xM2219	ZMR1KM1/2x1619	ZMR1KM1/2x1519
21	Matt white	ZMR1K16xM2221	ZMR1KM15xM2221	ZMR1KM1/2x1621	ZMR1KM1/2x1521
24	Matt black	ZMR1K16xM2224	ZMR1KM15xM2224	ZMR1KM1/2x1624	ZMR1KM1/2x1524
26	Deep matt black	ZMR1K16xM2226	ZMR1KM15xM2226	ZMR1KM1/2x1626	ZMR1KM1/2x1526
Colors with 4-6 weeks delivery time		VISION, INTEGRA		AXI ELEGANT, BALL, ELEGANT, MASTER, ROYAL, SWING, OLD STAR	
No	Color	PEX	Cu	M (PEX)	M (Cu)
03	Satin	ZMR1K16xM2203	ZMR1KM15xM2203	ZMR1KM1/2x1603	ZMR1KM1/2x1503
08	Nickel-grinded	ZMR1K16xM2208	ZMR1KM15xM2208	ZMR1KM1/2x1608	ZMR1KM1/2x1508
11	Antique brass	ZMR1K16xM2211	ZMR1KM15xM2211	ZMR1KM1/2x1611	ZMR1KM1/2x1511
29	Matt brass	ZMR1K16xM2229	ZMR1KM15xM2229	ZMR1KM1/2x1629	ZMR1KM1/2x1529

* Different sleeve lengths and rosettes configuration for individual orders.
 ** Silicone gaskets included with 3/4" rosettes only.

DOUBLE MASKING ROSETTE

Double flat masking rosette for valves with a spacing of 50mm round. It is available in three configurations: 1/2" (Ø 22mm), 3/4" (Ø 25mm)***, 3/8" (Ø 16mm).



Colors with 1-7 days delivery time

No	Color	1/2" (Ø 22 mm)	3/4" (Ø 25 mm)	3/8" (Ø 16 mm)
02	Chrome	000M823A002	000M823A202	000M823A102
05	Structural graphite	000M823A005	000M823A205	000M823A105
06	White	000M823A006	000M823A206	000M823A106
07	Anthracite / Glossy graphite	000M823A007	000M823A207	000M823A107
12	Metallic graphite	000M823A012	000M823A212	000M823A112
13	Glossy black	000M823A013	000M823A213	000M823A113
14	Structural black	000M823A014	000M823A214	000M823A114
15	Dark structural graphite	000M823A015	000M823A215	000M823A115
19	Structural white	000M823A019	000M823A219	000M823A119
21	Matt white	000M823A021	000M823A221	000M823A121
24	Matt black	000M823A024	000M823A224	000M823A124
26	Deep matt black	000M823A026	000M823A226	000M823A126

Colors with 4-6 weeks delivery time

No	Color	1/2" (Ø 22 mm)	3/4" (Ø 25 mm)	3/8" (Ø 16 mm)
03	Satin	000M823A003	000M823A203	000M823A103
08	Nickel-grinded	000M823A008	000M823A208	000M823A108
11	Antique brass	000M823A011	000M823A211	000M823A111
29	Matt brass	000M823A029	000M823A229	000M823A129

MASKING SET WITH DOUBLE ROSETTE

For valve fittings: TWINS, UNICO, V TYPE ELEGANT, PREMIUM EXCLUSIVE, INTEGRA DUO.

The set includes:

1 x double rosette 3/4"**,
2 x silicone gaskets**,
2 x masking sleeve 50mm*,
2 x PEX or Cu compression fittings PEX / Cu / M22x1,5 male.



Colors with 1-7 days delivery time

No	Color	TWINS, UNICO, V TYPE ELEGANT		PREMIUM EXCLUSIVE, INTEGRA DUO	
		3/4 x PEX	3/4 x Cu	M22x1,5 x PEX	M22x1,5 x Cu
02	Chrome	ZMR2P16x3/402	ZMR2M15x3/402	ZMR2P16xM22/02	ZMR2M15xM22/02
05	Structural graphite	ZMR2P16x3/405	ZMR2M15x3/405	ZMR2P16xM22/05	ZMR2M15xM22/05
06	White	ZMR2P16x3/406	ZMR2M15x3/406	ZMR2P16xM22/06	ZMR2M15xM22/06
07	Anthracite / Glossy gr.	ZMR2P16x3/407	ZMR2M15x3/407	ZMR2P16xM22/07	ZMR2M15xM22/07
12	Metallic graphite	ZMR2P16x3/412	ZMR2M15x3/412	ZMR2P16xM22/12	ZMR2M15xM22/12
13	Glossy black	ZMR2P16x3/413	ZMR2M15x3/413	ZMR2P16xM22/13	ZMR2M15xM22/13
14	Structural black	ZMR2P16x3/414	ZMR2M15x3/414	ZMR2P16xM22/14	ZMR2M15xM22/14
15	Dark struct. graphite	ZMR2P16x3/415	ZMR2M15x3/415	ZMR2P16xM22/15	ZMR2M15xM22/15
19	Structural white	ZMR2P16x3/419	ZMR2M15x3/419	ZMR2P16xM22/19	ZMR2M15xM22/19
21	Matt white	ZMR2P16x3/421	ZMR2M15x3/421	ZMR2P16xM22/21	ZMR2M15xM22/21
24	Matt black	ZMR2P16x3/424	ZMR2M15x3/424	ZMR2P16xM22/24	ZMR2M15xM22/24
26	Deep matt black	ZMR2P16x3/426	ZMR2M15x3/426	ZMR2P16xM22/26	ZMR2M15xM22/26

Colors with 4-6 weeks delivery time

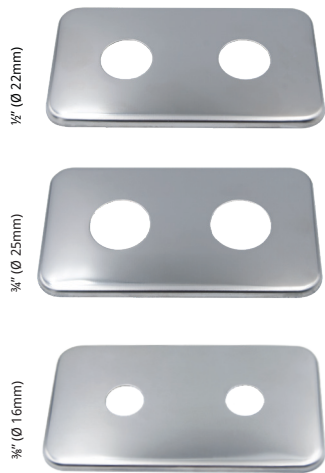
No	Color	TWINS, UNICO, V TYPE ELEGANT		PREMIUM EXCLUSIVE, INTEGRA DUO	
		3/4 x PEX	3/4 x Cu	M22x1,5 x PEX	M22x1,5 x Cu
03	Satin	ZMR2P16x3/403	ZMR2M15x3/403	ZMR2P16xM22/03	ZMR2M15xM22/03
08	Nickel-grinded	ZMR2P16x3/408	ZMR2M15x3/408	ZMR2P16xM22/08	ZMR2M15xM22/08
11	Antique brass	ZMR2P16x3/411	ZMR2M15x3/411	ZMR2P16xM22/11	ZMR2M15xM22/11
20	Shiny galvanic gold	ZMR2P16x3/420	ZMR2M15x3/420	ZMR2P16xM22/20	ZMR2M15xM22/20
29	Matt brass	ZMR2P16x3/429	ZMR2M15x3/429	ZMR2P16xM22/29	ZMR2M15xM22/29

* Different sleeve lengths and rosettes configuration for individual orders.

** Silicone gaskets included with 3/4" rosettes only.

DOUBLE RESTANGULAR MASKING ROSETTE

Double rectangular flat masking rosette for valves with a spacing of 50mm. It is available in three configurations: ½" (Ø 22mm), ¾" (Ø 25mm)** , ⅜" (Ø 16mm).



Colors with 1-7 days delivery time

No	Color	½" (Ø 22 mm)	¾" (Ø 25 mm)	⅜" (Ø 16 mm)
02	Chrome	000M825A002	000M825A202	000M825A102
05	Structural graphite	000M825A005	000M825A205	000M825A105
06	White	000M825A006	000M825A206	000M825A106
07	Anthracite / Glossy graphite	000M825A007	000M825A207	000M825A107
12	Metallic graphite	000M825A012	000M825A212	000M825A112
13	Glossy black	000M825A013	000M825A213	000M825A113
14	Structural black	000M825A014	000M825A214	000M825A114
15	Dark structural graphite	000M825A015	000M825A215	000M825A115
19	Structural white	000M825A019	000M825A219	000M825A119
21	Matt white	000M825A021	000M825A221	000M825A121
24	Matt black	000M825A024	000M825A224	000M825A124
26	Deep matt black	000M825A026	000M825A226	000M825A126

Colors with 4-6 weeks delivery time

No	Color	½" (Ø 22 mm)	¾" (Ø 25 mm)	⅜" (Ø 16 mm)
03	Satin	000M825A003	000M825A203	000M825A103
08	Nickel-grinded	000M825A008	000M825A208	000M825A108
11	Antique brass	000M825A011	000M825A211	000M825A111
29	Matt brass	000M825A029	000M825A229	000M825A129

MASKING SET WITH DOUBLE RESTANGULAR ROSETTE

Valve fittings:
TWINS,
UNICO,
V TYPE ELEGANT,
PREMIUM EXCLUSIVE,
INTEGRA DUO.

The set includes:
1 x double rectangular rosette ¾"**,
2 x silicone gaskets**,
2 x masking sleeve 50mm*,
2 x PEX or Cu compression fittings PEX / Cu / M22x1,5 male.



Colors with 1-7 days delivery time

No	Color	TWINS, UNICO, V TYPE ELEGANT		PREMIUM EXCLUSIVE, INTEGRA DUO	
		¾ x PEX	¾ x Cu	M22x1,5 x PEX	M22x1,5 x Cu
02	Chrome	ZMRP2P16x3/402	ZMRP2M15x3/402	ZMRP2P16xM22/02	ZMRP2M15xM22/02
05	Structural graphite	ZMRP2P16x3/405	ZMRP2M15x3/405	ZMRP2P16xM22/05	ZMRP2M15xM22/05
06	White	ZMRP2P16x3/406	ZMRP2M15x3/406	ZMRP2P16xM22/06	ZMRP2M15xM22/06
07	Anthracite / Glossy gr.	ZMRP2P16x3/407	ZMRP2M15x3/407	ZMRP2P16xM22/07	ZMRP2M15xM22/07
12	Metallic graphite	ZMRP2P16x3/412	ZMRP2M15x3/412	ZMRP2P16xM22/12	ZMRP2M15xM22/12
13	Glossy black	ZMRP2P16x3/413	ZMRP2M15x3/413	ZMRP2P16xM22/13	ZMRP2M15xM22/13
14	Structural black	ZMRP2P16x3/414	ZMRP2M15x3/414	ZMRP2P16xM22/14	ZMRP2M15xM22/14
15	Dark struct. graphite	ZMRP2P16x3/415	ZMRP2M15x3/415	ZMRP2P16xM22/15	ZMRP2M15xM22/15
19	Structural white	ZMRP2P16x3/419	ZMRP2M15x3/419	ZMRP2P16xM22/19	ZMRP2M15xM22/19
21	Matt white	ZMRP2P16x3/421	ZMRP2M15x3/421	ZMRP2P16xM22/21	ZMRP2M15xM22/21
24	Matt black	ZMRP2P16x3/424	ZMRP2M15x3/424	ZMRP2P16xM22/24	ZMRP2M15xM22/24
26	Deep matt black	ZMRP2P16x3/426	ZMRP2M15x3/426	ZMRP2P16xM22/26	ZMRP2M15xM22/26

Colors with 4-6 weeks delivery time

No	Color	TWINS, UNICO, V TYPE ELEGANT		PREMIUM EXCLUSIVE, INTEGRA DUO	
		¾ x PEX	¾ x Cu	M22x1,5 x PEX	M22x1,5 x Cu
03	Satin	ZMRP2P16x3/403	ZMRP2M15x3/403	ZMRP2P16xM22/03	ZMRP2M15xM22/03
08	Nickel-grinded	ZMRP2P16x3/408	ZMRP2M15x3/408	ZMRP2P16xM22/08	ZMRP2M15xM22/08
11	Antique brass	ZMRP2P16x3/411	ZMRP2M15x3/411	ZMRP2P16xM22/11	ZMRP2M15xM22/11
29	Matt brass	ZMRP2P16x3/429	ZMRP2M15x3/429	ZMRP2P16xM22/29	ZMRP2M15xM22/29

* Different sleeve lengths and rosettes configuration for individual orders.

** Silicone gaskets included with ¾" rosettes only.

CONNECTION ACCESSORIES

EXTENSION

Extensions 50mm* long in configurations:

½”M x ½”M,
½”M x M22x1.5 female,
½”M x ½”F.

For valves with installation thread ½”.

Extensions ½”M x ½”M and ½”M x ½”F adapted for valves:

AXI ELEGANT,
BALL,
OLD STAR,
ELEGANT,
MASTER,
ROYAL,
SWING,
LUX I,
LUX II,
QUATTRO.



Extension ½” male / M22x1.5 female **for valves:**

PREMIUM EXCLUSIVE,
VISION,
INTEGRA.



Colors with 1-7 days delivery time

No	Color	½”M x ½”M	½”M x M22x1,5F	½”M x ½”F
02	Chrome	000M830A0250	000M831A0250	000M832A0250
05	Structural graphite	000M830A0550	000M831A0550	000M832A0550
06	White	000M830A0650	000M831A0650	000M832A0650
07	Anthracite / Glossy graphite	000M830A0750	000M831A0750	000M832A0750
12	Metallic graphite	000M830A1250	000M831A1250	000M832A1250
13	Glossy black	000M830A1350	000M831A1350	000M832A1350
14	Structural black	000M830A1450	000M831A1450	000M832A1450
15	Dark structural graphite	000M830A1550	000M831A1550	000M832A1550
19	Structural white	000M830A1950	000M831A1950	000M832A1950
21	Matt white	000M830A2150	000M831A2150	000M832A2150
24	Matt black	000M830A2450	000M831A2450	000M832A2450
26	Deep matt black	000M830A2650	000M831A2650	000M832A2650

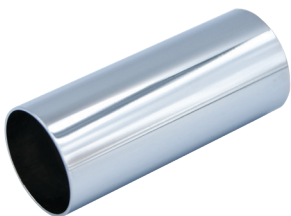
Colors with 4-6 weeks delivery time

No	Color	½”M x ½”M	½”M x M22x1,5F	½”M x ½”F
03	Satin	000M830A0350	000M831A0350	000M832A0350
08	Nickel-grinded	000M830A0850	000M831A0850	000M832A0850
11	Antique brass	000M830A1150	000M831A1150	000M832A1150
29	Matt brass	000M830A2950	000M831A2950	000M832A2950

COVERING SLEEVE

Masking sleeve 50mm (Ø 21 mm) for masking PEX (16x2) or CU (15x1) pipes. Installation can be carried out before connecting the radiator to the installation.

Standard lengths are shown in the table. Manufacture of other lengths for individual orders.



Colors with 1-7 days delivery time

No	Color	50 mm
02	Chrome	000M840A0250
05	Structural graphite	000M840A0550
06	White	000M840A0650
07	Anthracite / Glossy graphite	000M840A0750
12	Metallic graphite	000M840A1250
13	Glossy black	000M840A1350
14	Structural black	000M840A1450
15	Dark structural graphite	000M840A1550
19	Structural white	000M840A1950
21	Matt white	000M840A2150
24	Matt black	000M840A2450
26	Deep matt black	000M840A2650

Colors with 4-6 weeks delivery time

No	Color	50 mm
03	Satin	000M840A0350
08	Nickel-grinded	000M840A0850
11	Antique brass	000M840A1150
29	Matt brass	000M840A2950

CONNECTION / CLAMPING ADAPTER M22x1,5

The connector is intended for connecting below valves to the central heating installation.

Adapted to valves:

VISION,
INTEGRA,
PREMIUM EXCLUSIVE.



Colors with 1-7 days delivery time

No	Color	PEX	Cu	M	F
02	Chrome	M766B002002	M766B004002	M766B001002	M766B003002
05	Structural graphite	M766B002005	M766B004005	M766B001005	M766B003005
06	White	M766B002006	M766B004006	M766B001006	M766B003006
07	Anthracite / Glossy graph.	M766B002007	M766B004007	M766B001007	M766B003007
12	Metallic graphite	M766B002012	M766B004012	M766B001012	M766B003012
13	Glossy black	M766B002013	M766B004013	M766B001013	M766B003013
14	Structural black	M766B002014	M766B004014	M766B001014	M766B003014
15	Dark str. graphite	M766B002015	M766B004015	M766B001015	M766B003015
19	Structural white	M766B002019	M766B004019	M766B001019	M766B003019
21	Matt white	M766B002021	M766B004021	M766B001021	M766B003021
24	Matt black	M766B002024	M766B004024	M766B001024	M766B003024
26	Deep matt black	M766B002026	M766B004026	M766B001026	M766B003026

Colors with 4-6 weeks delivery time

No	Color	PEX	Cu	M	F
03	Satin	M766B002003	M766B004003	M766B001003	M766B003003
08	Nickel-grinded	M766B002008	M766B004008	M766B001008	M766B003008
11	Antique brass	M766B002011	M766B004011	M766B001011	M766B003011
29	Matt brass	M766B002029	M766B004029	M766B001029	M766B003029

SCREWED CONNECTION 1/2" M x PEX or Cu

Screwed connection 1/2" M x PEX (16x2) or Cu (15x1).

Adapted to valves:

AXI ELEGANT,
BALL,
ELEGANT,
MASTER,
ROYAL,
SWING,
OLD STAR.



Colors with 1-7 days delivery time

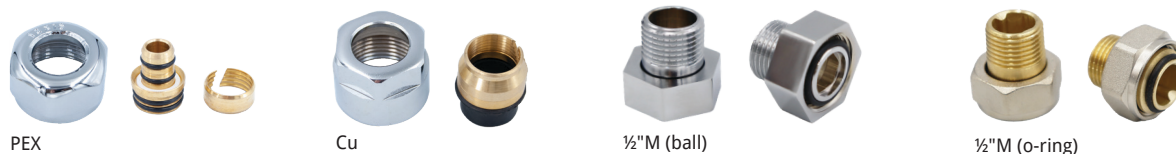
No	Color	PEX	Cu
01	Nickel (PEX) Raw brass (Cu)	R187MX048-01	118500045/01
02	Chrome	R187MX048-02	118500045/02
05	Structural graphite	R187MX048-05	118500045/05
06	White	R187MX048-06	118500045/06
07	Anthracite / Glossy graphite	R187MX048-07	118500045/07
12	Metallic graphite	R187MX048-12	118500045/12
13	Glossy black	R187MX048-13	118500045/13
14	Structural black	R187MX048-14	118500045/14
15	Dark structural graphite	R187MX048-15	118500045/15
19	Structural white	R187MX048-19	118500045/19
21	Matt white	R187MX048-21	118500045/21
24	Matt black	R187MX048-24	118500045/24
26	Deep matt black	R187MX048-26	118500045/26

Colors with 4-6 weeks delivery time

No	Color	PEX	Cu
03	Satin	R187MX048-03	118500045/03
08	Nickel-grinded	R187MX048-08	118500045/08
11	Antique brass	R187MX048-11	118500045/11
29	Matt brass	R187MX048-29	118500045/29

CONNECTION ACCESSORIES

CONNECTION / CLAMPING ADAPTER $\frac{3}{4}$ "F



The connector is intended for connecting below valves to the central heating installation.
Adapted to valves: TWINS, UNICO, UNO, V TYPE, V TYPE ELEGANT.

Colors with 1-7 days delivery time

No	Color	PEX 14	PEX 16	PEX 18	PEX 20	Cu	$\frac{1}{2}$ "M (ball)	$\frac{1}{2}$ "M (o-ring)
01	Nickel	ZZ14x201	ZZ16x201	ZZ18x201	ZZ20x201	ZZM1501	-	M869B002010
02	Chrome	ZZ14x202	ZZ16x202	ZZ18x202	-	ZZM1502	M619B006020	-
05	Structural graphite	ZZ14x205	ZZ16x205	ZZ18x205	-	ZZM1505	M619B006050	M869B002050
06	White	ZZ14x206	ZZ16x206	ZZ18x206	-	ZZM1506	M619B006060	M869B002060
07	Anthracite / Glossy graph.	ZZ14x207	ZZ16x207	ZZ18x207	-	ZZM1507	M619B006070	M869B002070
12	Metallic graphite	ZZ14x212	ZZ16x212	ZZ18x212	-	ZZM1512	M619B006120	M869B002120
13	Glossy black	ZZ14x213	ZZ16x213	ZZ18x213	-	ZZM1513	M619B006130	M869B002130
14	Structural black	ZZ14x214	ZZ16x214	ZZ18x214	-	ZZM1514	M619B006140	M869B002140
15	Dark structural graphite	ZZ14x215	ZZ16x215	ZZ18x215	-	ZZM1515	M619B006150	M869B002150
19	Structural white	ZZ14x219	ZZ16x219	ZZ18x219	-	ZZM1519	M619B006190	M869B002190
21	Matt white	ZZ14x221	ZZ16x221	ZZ18x221	-	ZZM1521	M619B006210	M869B002210
24	Matt black	ZZ14x224	ZZ16x224	ZZ18x224	-	ZZM1524	M619B006240	M869B002240
26	Deep matt black	ZZ14x226	ZZ16x226	ZZ18x226	-	ZZM1526	M619B006260	M869B002260

Colors with 4-6 weeks delivery time

No	Color	PEX 14	PEX 16	PEX 18	PEX 20	Cu	$\frac{1}{2}$ "M (ball)	$\frac{1}{2}$ "M (o-ring)
03	Satin	ZZ14x203	ZZ16x203	ZZ18x203	-	ZZM1503	M619B006030	M869B002030
08	Nickel-grinded	ZZ14x208	ZZ16x208	ZZ18x208	-	ZZM1508	-	M869B002080
11	Antique brass	ZZ14x211	ZZ16x211	ZZ18x211	-	ZZM1511	M619B006110	M869B002110
29	Matt brass	ZZ14x229	ZZ16x229	ZZ18x229	-	ZZM1529	-	M869B002290

REDUCING NIPPLE

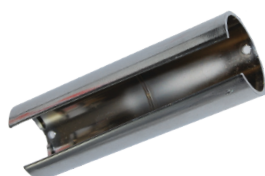


Reducing nipple $\frac{3}{4}$ " x $\frac{1}{2}$ ".

Designed for valves: TWINS, UNICO, UNO, V TYPE, V TYPE ELEGANT.

No	Color	Catalog number
01	Raw	000M804A001
02	Chrome	000M804A002

FLEXIBLE COVERING SLEEVE



Flexible masking sleeve for PEX or Cu tubes with a length of 60 mm. The flexible masking sleeve allows aesthetic covering of the installation pipes (PEX or Cu) between the wall and the radiator. The design of the sleeve allows its assembly after connecting the radiator to the installation.

No	Color	Catalog number
02	Chrome	7990700
06	White	7990690

T-PIECE FOR AN ELECTRIC HEATER



T-piece for electric heater with 1/2"F x 1/2"M x 1/2"M.

Colors with 1-7 days delivery time

No	Color	Catalog number
02	Chrome	TR1/202
05	Structural graphite	TR1/205
06	White	TR1/206
07	Anthracite / Glossy graphite	TR1/207
12	Metallic graphite	TR1/212
13	Glossy black	TR1/213
14	Structural black	TR1/214
15	Dark structural graphite	TR1/215
19	Structural white	TR1/219
21	Matt white	TR1/221
24	Matt black	TR1/224
26	Deep matt black	TR1/226

Colors with 4-6 weeks delivery time

No	Color	Catalog number
03	Satin	TR1/203
08	Nickel-grinded	TR1/208
11	Antique brass	TR1/211
29	Matt brass	TR1/229

INTEGRA KEY



Key for INTEGRA valves.

No	Color	Catalog number
01	Nickel	000M806A002

SCREW



Telescopic screw connection (adjustable length) comes in three configurations: 3/8" (max. length 45.7mm, adjustable to 16mm), 1/2" (max. length 47.8mm, adjustable to 15.9mm) or 3/4" (max. length 53,3mm, adjustable to 18.5mm).

No	Color	3/8" version	1/2" version	3/4" version
01	Nickel	M617C017200	M619C020200	M621C017200

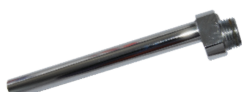
CENTER TUBE



Centric tube 1/2"M x Ø15 x 150, adapted to connect valves with a central heating installation, having an output a 1/2"F.

No	Color	Catalog number
02	Chrome	7199998

ECCENTRIC TUBE



Eccentric tube 1/2"M x Ø15 x 150 adapted to connect valves with a central heating installation, having an output a 1/2"F. The tube has the ability to adjust the centricity in the 7.5 mm range to one side between the installation and the radiator.

No	Color	Catalog number
02	Chrome	7190290

BATHROOM ACCESSORIES

BATHROOM TOWEL RAILS



Electric bathroom heater for bathroom radiators, used in the summer to heat the radiator and use it as a dryer.

Colors with 1-7 days delivery time

No	Color	300 W	400 W	600 W	1000 W
02	Chrome	GVT300W/02	GVT400W/02	GVT600W/02	GVT1000W/02
06	White	GVT300W/06	GVT400W/06	GVT600W/06	GVT1000W/06
14	Black	GVT300W/14	GVT400W/14	GVT600W/14	GVT1000W/14

Colors with 4-6 weeks delivery time

No	Color	300 W	400 W	600 W	1000 W
03	Satin	GVT300W/03	GVT400W/03	GVT600W/03	-

BATHROOM TOWEL RAILS WITH MASKING COVER



Electric bathroom heater with mask for bathroom radiators, used in the summer to heat the radiator and use it as a dryer.

Colors with 1-7 days delivery time

No	Color	300 W	400 W	600 W	1000 W
02	Chrome	GVT300W/M/02	GVT400W/M/02	GVT600W/M/02	GVT1000W/M/02
06	White	GVT300W/M/06	GVT400W/M/06	GVT600W/M/06	GVT1000W/M/06
14	Black	GVT300W/M/14	GVT400W/M/14	GVT600W/M/14	GVT1000W/M/14

Colors with 4-6 weeks delivery time

No	Color	300 W	400 W	600 W	1000 W
03	Satin	GVT300W/M/03	GVT400W/M/03	GVT600W/M/03	-



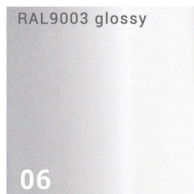
The photo shows the INTEGRA ALL IN ONE thermostatic set, right version in Glamour Matt white - Galvanic gold, with white bathroom heater.



BASIC COLORS 1-7 days delivery time

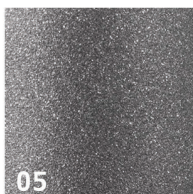


02
Chrome

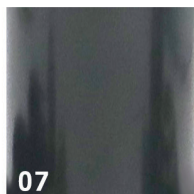


06
White

POWDER PAINTING 1-7 days delivery time



05
Structural
graphite



07
Glossy anthracite
Graphite



12
Metallic
graphite



13
Glossy
black



14
Structural
black



15
Dark structural
graphite



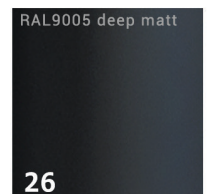
19
Structural
white



21
Matt white



24
Matt black



26
Deep matt
black

GALVANIC COVERINGS 4-6 weeks delivery time



03
Satin



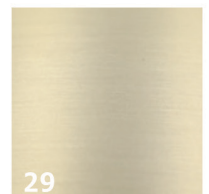
08
Nickel grinded



11
Antique brass



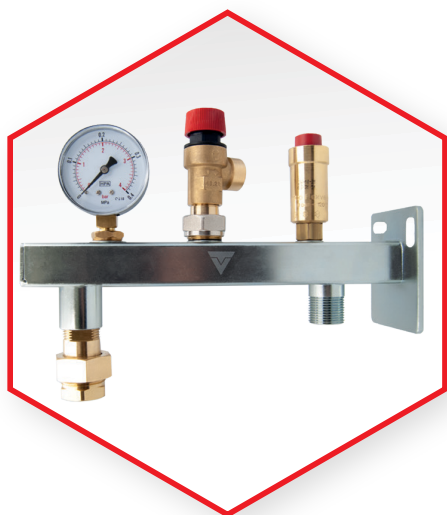
20
Shiny
galvanic gold



29
Matt brass

We have the capability to produce our heads and valves in any color from RAL color chart. In today's sanitary market, decorative radiators come in numerous color variations, and we aim to stay flexible to fulfill our clients' expectations. Continuously exploring new designs and colors for our products is an ongoing commitment.





VARIO TERM Sp. z o.o.

Ogórkowa 96, 04-998 Warszawa, Poland

info@varieterm.pl

www.varieterm.pl/en